

TERMINATIONS

7/16 - DIN, up to 4.0 GHz, 300 Watts

SPECIFICATIONS:

Models: TDXXXM-300W & TDXXXF-300W

RoHS
Compliant

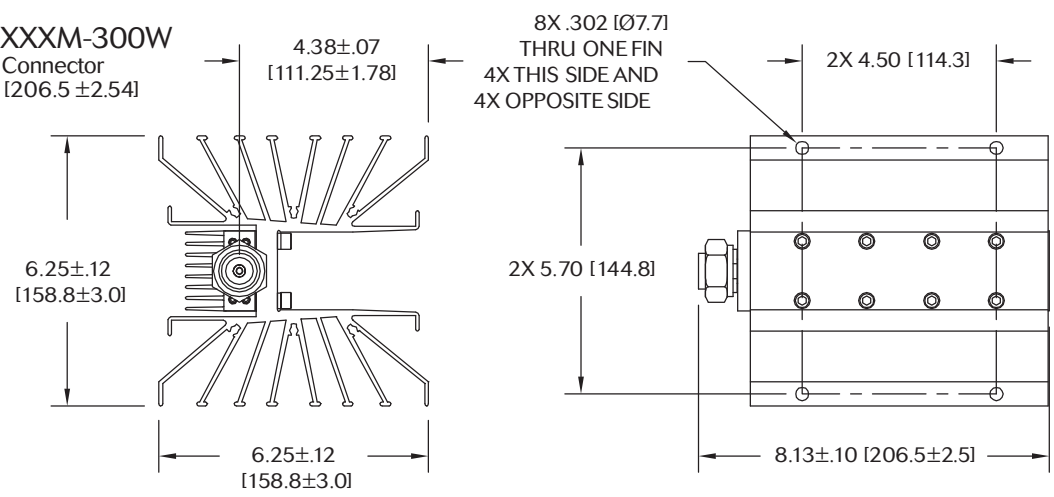
Electrical:	
Frequency Range _____	DC - 4.0 GHz
Standard Freq. Values _____	2.5 & 4.0 GHz
VSWR	
DC - 1.5 GHz _____	1.15:1 Max.
1.5 - 2.5 GHz _____	1.30:1 Max.
2.5 - 4.0 GHz _____	1.35:1 Max.
Input Power _____	300 Watts Avg.
	Derated Linearly to 75 Watts @ +85°C
Peak Power _____	2 kW Max.
	(5uSec Pulse, .05% Duty Cycle)
Impedance _____	50 Ohms
Operating Temp Range _____	-55°C to +125°C
Mechanical:	
7/16 - DIN Connectors _____	Silver or White Bronze Plated Brass
	Mates with DIN 47 223
Conductors _____	Silver or White Bronze Plated Beryllium Copper
Housing _____	Anodized Aluminum



Note: Units must be positioned in such a way so as to allow free airflow around fins to assure performance.

Model Number: TDXXXF-300W
7/16 - DIN Female Connector
Length: 8.26±.10 [209.8 ±2.54]

Model Number: TDXXXM-300W
7/16 - DIN Male Connector
Length 8.13 ±.10 [206.5 ±2.54]
Pictured



HOW TO ORDER:

Model Number: **TDXXXy-300W**

Freq. Range	Connector Configuration
020 = DC - 2.5 GHz	F = Female
040 = DC - 4.0 GHz	M = Male

Ordering Examples:

Model Number: **TD020M-300W**
DC - 2.5 GHz, 7/16 - DIN Male CONN.

Model Number: **TD040F-300W**
DC - 4.0 GHz, 7/16 - DIN Female CONN.

Note: Dimensions in Brackets are Expressed in Millimeters and are for Reference Only. Design, specifications are subject to change without notice. Contact factory for technical specifications before purchasing and/or use.

TDXXX-300W: REV E



Aeroflex / Inmet, Inc. • 300 Dino Drive, Ann Arbor, MI 48103 • U.S.A.
888-244-6638 or 734-426-5553 • FAX: 734-426-5557
www.aeroflex.com/inmet • inmet-sales@eroflex.com