

# TERMINATIONS

TNC, up to 4.0 GHz, 300 Watts

## SPECIFICATIONS:

Models: TTXXM-300W & TTXXF-300W

**RoHS**  
Compliant

|  |                                       |
|--|---------------------------------------|
| <b>Electrical:</b>                     |                                       |
| Frequency Range                        | DC - 4.0 GHz                          |
| Standard Freq. Values                  | 2.5 & 4 GHz                           |
| VSWR                                   |                                       |
| DC - 1.5 GHz                           | 1.15:1 Max.                           |
| 1.5 - 2.5 GHz                          | 1.25:1 Max.                           |
| 2.5 - 4.0 GHz                          | 1.35:1 Max.                           |
| Input Power                            | 300 Watts Avg. @ +25°C                |
|  | Derated Linearly to 60 Watts @ +125°C |
| Peak Power                             | 2 kW Max.                             |
|  | (5uSec Pulse, .05% Duty Cycle)        |
| Impedance                              | 50 Ohms                               |
| Operating Temp Range                   | -55°C to +125°C                       |
| <b>Mechanical:</b>                     |                                       |
| TNC Connectors*                        | Passivated Stainless Steel            |
|  | Mates with MIL-STD-348                |
| Conductors                             | Gold Plated Beryllium Copper          |
| Housing                                | Anodized Aluminum                     |
| * TNC Connectors are 18 GHz Mode Free. |                                       |

**AEROFLEX**  
A passion for performance.

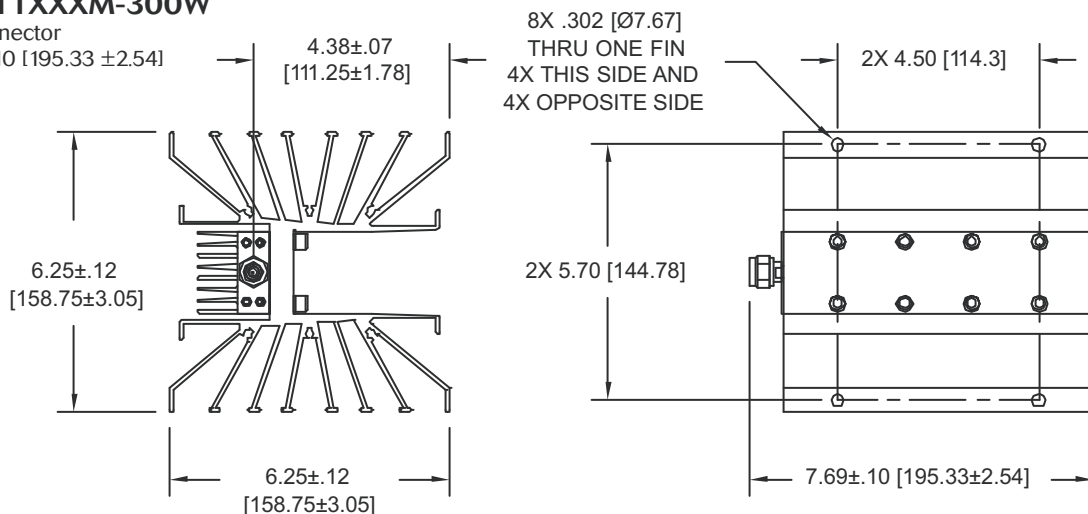
Units must be Positioned in such a way as to Allow for Free Air Flow Around fins to Assure Performance

Model Number: **TTXXF-300W**

TNC Female Connector  
Length: 7.79 ±.10 [197.87 ±2.54]

Model Number: **TTXXM-300W**

TNC Male Connector  
Length: 7.69 ±.10 [195.33 ±2.54]  
Pictured



## HOW TO ORDER:

Model Number: **TTXXXY-300W**

|                    |                         |
|--------------------|-------------------------|
| Freq. Range        | Connector Configuration |
| 020 = DC - 2.5 GHz | F = Female              |
| 040 = DC - 4.5 GHz | M = Male                |

## Ordering Examples:

Model Number: **TT020M-300W**  
DC - 2.5 GHz, TNC Male CONN.

Model Number: **TT040F-300W**  
DC - 4 GHz, TNC Female CONN.

Note: Dimensions in Brackets are Expressed in Millimeters and are for Reference Only.  
Design specifications are subject to change without notice.  
Contact factory for technical specifications before purchasing or use.

TTXX-300W: REV C

**AEROFLEX**  
INMET

Aeroflex / Inmet, Inc. • 300 Dino Drive, Ann Arbor, MI 48103 • U.S.A.  
888-244-6638 or 734-426-5553 • FAX: 734-426-5557  
www.aeroflex.com/inmet • inmet@aeroflex.com