

TERMINATIONS

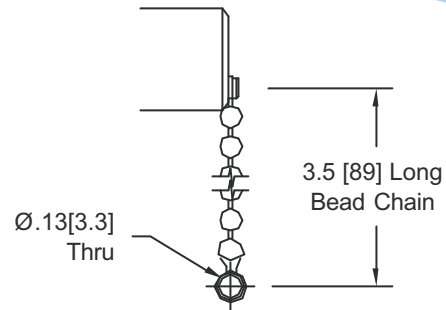
Type N (75 Ω), DC - 4 GHz, 2 Watts

SPECIFICATIONS:

Models: TN040M/75, TN040F/75, TN040MC/75, TN040FC/75

RoHS
Compliant

| | |
|---|--|
| Electrical: | |
| Frequency Range | DC - 4 GHz |
| VSWR | 1.20:1 Max. |
| Impedance | 75 Ohms |
| Input Power | 2 Watts Avg. @ +25°C Derated Linearly to 0.5 Watts @ +125°C |
| Peak Power | 250 Watts Max. (5uSec Pulse, .05% Duty Cycle) |
| Operating Temp Range | -65°C to +125°C |
| Mechanical: | |
| *Type N Connectors | Passivated Stainless Steel |
| Conductors | Gold Plated Beryllium Copper |
| *75 Ohm Type N Connectors Mate only with other 75 Ohm Type N Connectors Mating with a 50 Ohm Connector May DAMAGE Center Conductors. | |

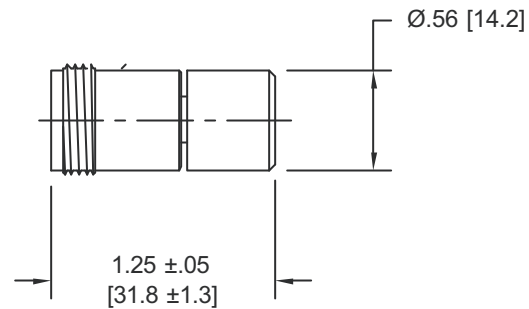
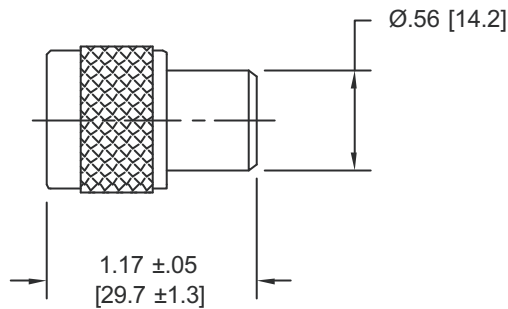


CHAIN DETAIL

* K is a Trademark of Anritsu Corp.

Model Number: **TN040M/75**
Type N Male Connector

Model Number: **TN040F/75**
Type N Female Connector



HOW TO ORDER:

Model Number: **TN040XY/75**

Connector Configuration
M = Male
F = Female

Style
= No Chain
C = Chain Included

Ordering Examples:

Model Number: **TN040MC/75**
DC - 4 GHz; Type N Male; Chain Included

Model Number: **TN040F/75**
DC - 4 GHz; Type N Female; No Chain

Model Number: **TN040M/75**
DC - 4 GHz; Type N Male; No Chain

Note: Dimensions in Brackets are Expressed in Millimeters and are for Reference Only.

TN040X_75: REV C



Aeroflex / Inmet, Inc. • 300 Dino Drive, Ann Arbor, MI 48103 • U.S.A.
888-244-6638 or 734-426-5553 • FAX: 734-426-5557
www.aeroflex.com/inmet • inmet-sales@eroflex.com