

# AHC ATTENUATORS

SMA, 6 GHz, 2 Watts

## SPECIFICATIONS:

Models: AHC

**RoHS**  
Compliant

**AEROFLEX**  
A passion for performance.

### Electrical:

Frequency Range \_\_\_\_\_ DC - 6.0 GHz

Standard dB Values \_\_\_\_\_ 0 - 10, 12, 15, 20, 30 & 40 dB

Attenuation Accuracy:

0 - 10 dB \_\_\_\_\_ ±0.5 dB

12, 15, 20 dB \_\_\_\_\_ ±0.7 dB

30 dB \_\_\_\_\_ ±0.9 dB

40 dB \_\_\_\_\_ ±1.5 dB

VSWR \_\_\_\_\_ 1.20:1 Max.

Input Power \_\_\_\_\_ 2 Watts Avg. @ 25°C

Derated Linearly to 1.1 Watts at +85°C

Impedance \_\_\_\_\_ 50 Ohms

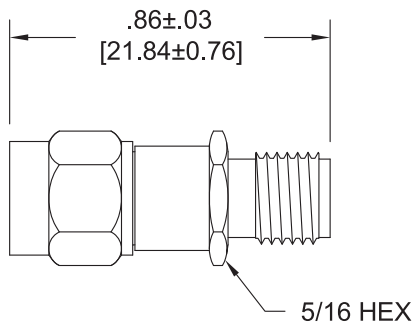
Operating Temp Range \_\_\_\_\_ -20°C to +85°C

### Mechanical:

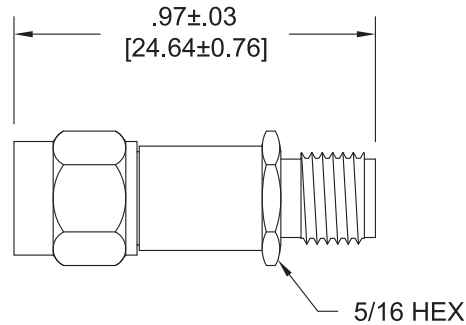
SMA Connectors \_\_\_\_\_ Passivated Stainless Steel

Mates with MIL-STD-348

Conductors \_\_\_\_\_ Gold Plated Beryllium Copper



0-12, 15 & 20dB



30 & 40dB

## HOW TO ORDER:

Model Number: AHC-XX

dB Value

## Ordering Examples:

Model Number: AHC-3  
DC - 6 GHz; 3 dB; SMA - Male/Fem

Model Number: AHC-10  
DC - 6 GHz; 10 dB; SMA - Male/Fem

Note: Dimensions in Brackets are Expressed in Millimeters and are for Reference Only.  
Design specifications are subject to change without notice.  
Contact factory for technical specifications before purchasing or use.

AHC-ATT: REV E

**AEROFLEX**  
INMET

Aeroflex / Inmet, Inc. • 300 Dino Drive, Ann Arbor, MI 48103 • U.S.A.  
888-244-6638 or 734-426-5553 • FAX: 734-426-5557  
www.aeroflex.com/inmet • inmet-sales@eroflex.com