

Heavy Duty Fuse Clip, 10.3 x 38 /10.3 x 85 mm, 1500 VAC/VDC, 32 A

new



Solder THT version

Screw or rivet version

1500 VAC/DC · 32A



Description

- Heavy duty fuse clip
- Minimal power dissipation due to high clamping force
- Solder, screw or rivet fixing

Standards

- UL 4248-1
- CSA 22.2 no. 4248-1

Approvals

- UL File Number: E39328

Applications

- All photovoltaic applications
- Inverters
- Battery charge controllers
- String fuse holder
- DC applications

References

Fuseholder to ASO 10.3x38

Weblinks

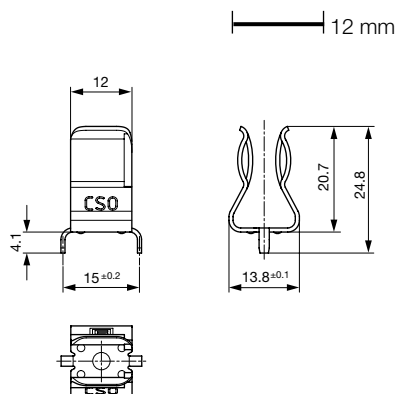
[pdf-datasheet](#), [html-datasheet](#), [General Product Information](#), [Approvals](#), [RoHS](#), [CHINA-RoHS](#), [e-Shop](#), [SCHURTER-Stock-Check](#), [Distributor-Stock-Check](#), [Detailed request for product](#)

Technical Data

Fuse-Link	10.3 x 38 / 10.3 x 85 mm
Mounting	PCB
Terminal	Solder THT, screw or rivet
Rated Voltage	1500VAC/DC
Rated Current	32A
Degree of Protection	IP 00
Admissible Ambient Air Temp.	-40°C to +85°C
Climatic Category	40/085/21 acc. to IEC 60068-1
Material: Socket	Silver-Plated Copper Alloy
Storage Conditions	0°C to 60°C, max. 70% r.h.
Product Marking	Type

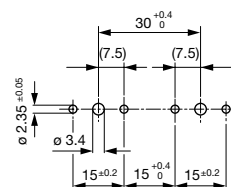
Soldering Methods	Wave
Solderability	245 °C / 2 sec acc. to IEC 60068-2-20, Test Ta, method 1
Resistance to Soldering Heat	260 +0/-5 °C / 10 sec acc. to IEC 60068-2-20, Test Ta, method 1
Contact Resistance	< 5 mΩ at 20 mV
Resistance to Vibration	acc. to IEC 60068-2-6, test Fc

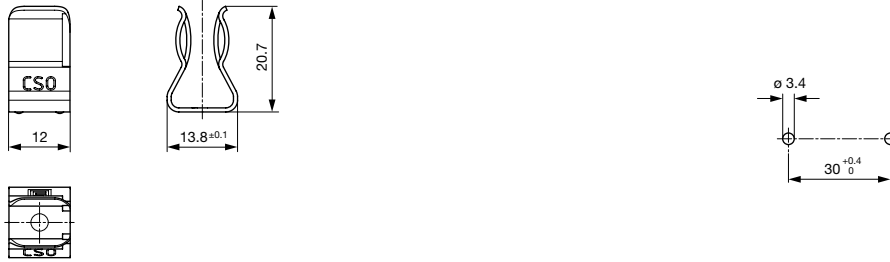
Dimensions



Solder THT version

Drilling diagram





Screw or rivet version

Drilling diagram

Variants

Weight	Terminal	Packaging	Order Number
4.45 g	Screw or Rivet	Bulk 128 x 91 x 60 mm (100 pcs.)	0751.0500
4.45 g	Screw or Rivet	Bulk 251 x 159 x 152 mm (1000 pcs.)	0751.0501
4.6 g	Solder, THT	Bulk 128 x 91 x 60 mm (100 pcs.)	0751.0505
4.6 g	Solder, THT	Bulk 251 x 159 x 152 mm (1000 pcs.)	0751.0506