

THE INFORMATION CONTAINED HEREIN IS CONSIDERED "PROPRIETARY" TO BEL FUSE INC. AND SHALL NOT BE COPIED, REPRODUCED OR DISCLOSED WITHOUT THE WRITTEN APPROVAL OF BEL FUSE INC.

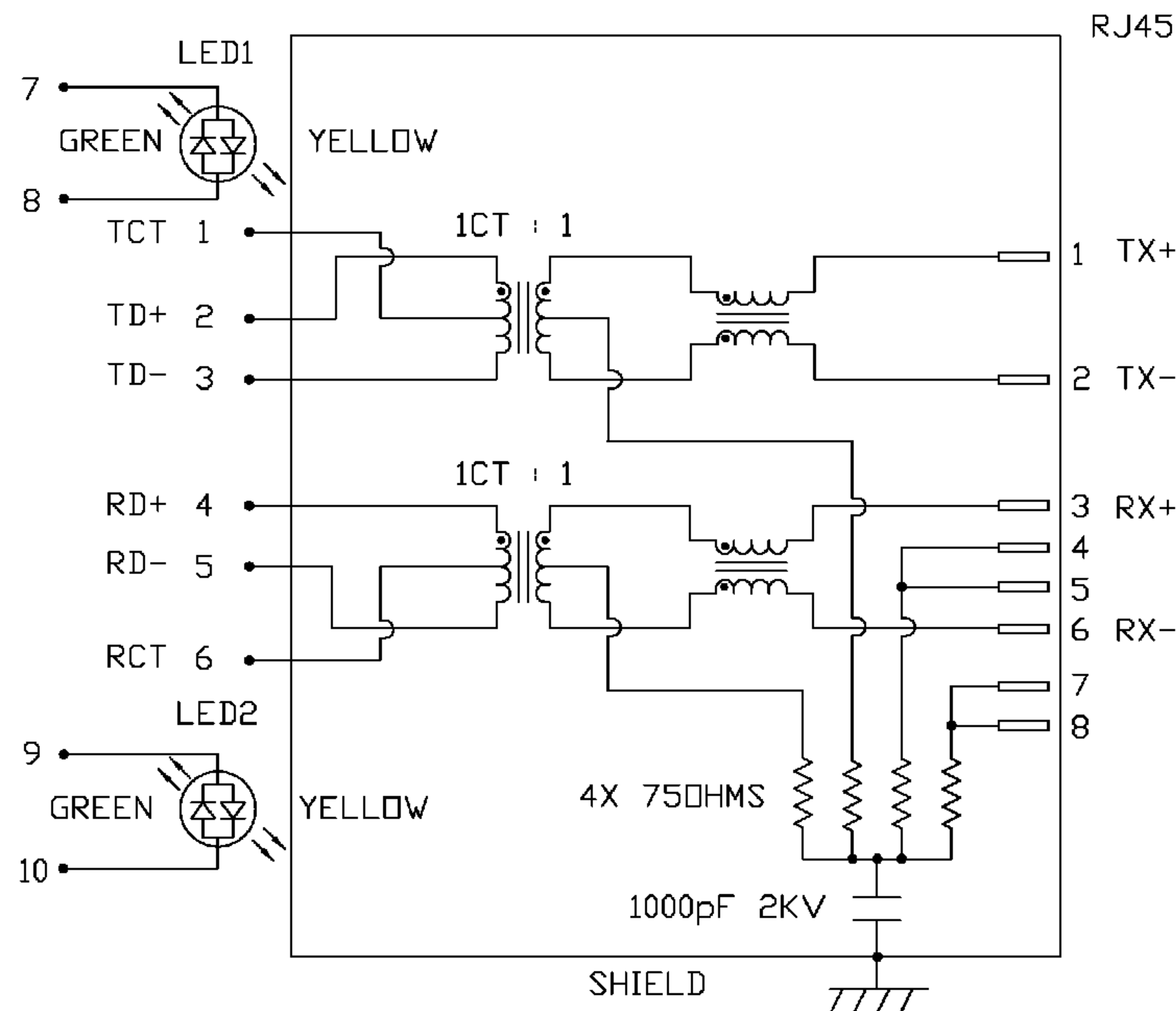


LED1 POLARITY			LED2 POLARITY		
PIN 7	PIN 8	COLOR	PIN 9	PIN 10	COLOR
-	+	GREEN	-	+	GREEN
+	-	YELLOW	+	-	YELLOW

ELECTRICAL CHARACTERISTICS @ 25°C

<p> URNS RATIO TX RX CL @ 100kHz/100mVRMS 8mA DC BIAS INS. LOSS 1MHz TO 100MHz RET. LOSS (MIN) 1MHz-30MHz 30MHz-60MHz 60MHz-80MHz CROSS TALK (TX - RX) 500kHz-1MHz 10 MHz 30 MHz 50 MHz 100 MHz CM TO CM REJ 100kHz-1MHz 10 MHz 30 MHz 60 MHz 100 MHz CM TO DM REJ 100kHz-1MHz 10 MHz 30 MHz 60 MHz 100 MHz HIPDT (Isolation Voltage): LED 1 & LED 2 VF (FORWARD VOLTAGE) λD (DOMINANT WAVELENGTH) </p>	<p> 1CT : 1 1CT : 1 350µH MIN. -1.0 dB MAX -18 dB -18+20LOG(F/30MHz) dB -12 dB -70 dB MIN -50 dB MIN -45 dB MIN -40 dB MIN -35 dB MIN -70 dB MIN -47 dB MIN -42 dB MIN -37 dB MIN -30 dB MIN -70 dB MIN -60 dB MIN -50 dB MIN -45 dB MIN -40 dB MIN 1500 Vrms or 2250VDC </p>	<p> GREEN 2.2V TYP. YELLOW 2.1V TYP. GREEN 565nm TYP. YELLOW 590nm TYP. </p>
---	---	---

SCHEMATIC



ORIGINATED BY	DATE	TITLE	PART NO. / DRAWING NO.	STANDARD DIM. TOL. IN INCH	[] METRIC DIM. AS REFERENCE
CHUNG	03-17-06	MagJack® (4 Cores, MDIX, CM Termination)	08B01C1T06-F	.X .XX .XXX	UNIT : INCH [mm] SCALE : N/A REV. : A SIZE : A4 PAGE : 2
DRAWN BY	DATE		FILE NAME		
DE	03-17-06		08B01C1T06-FA.DWG		

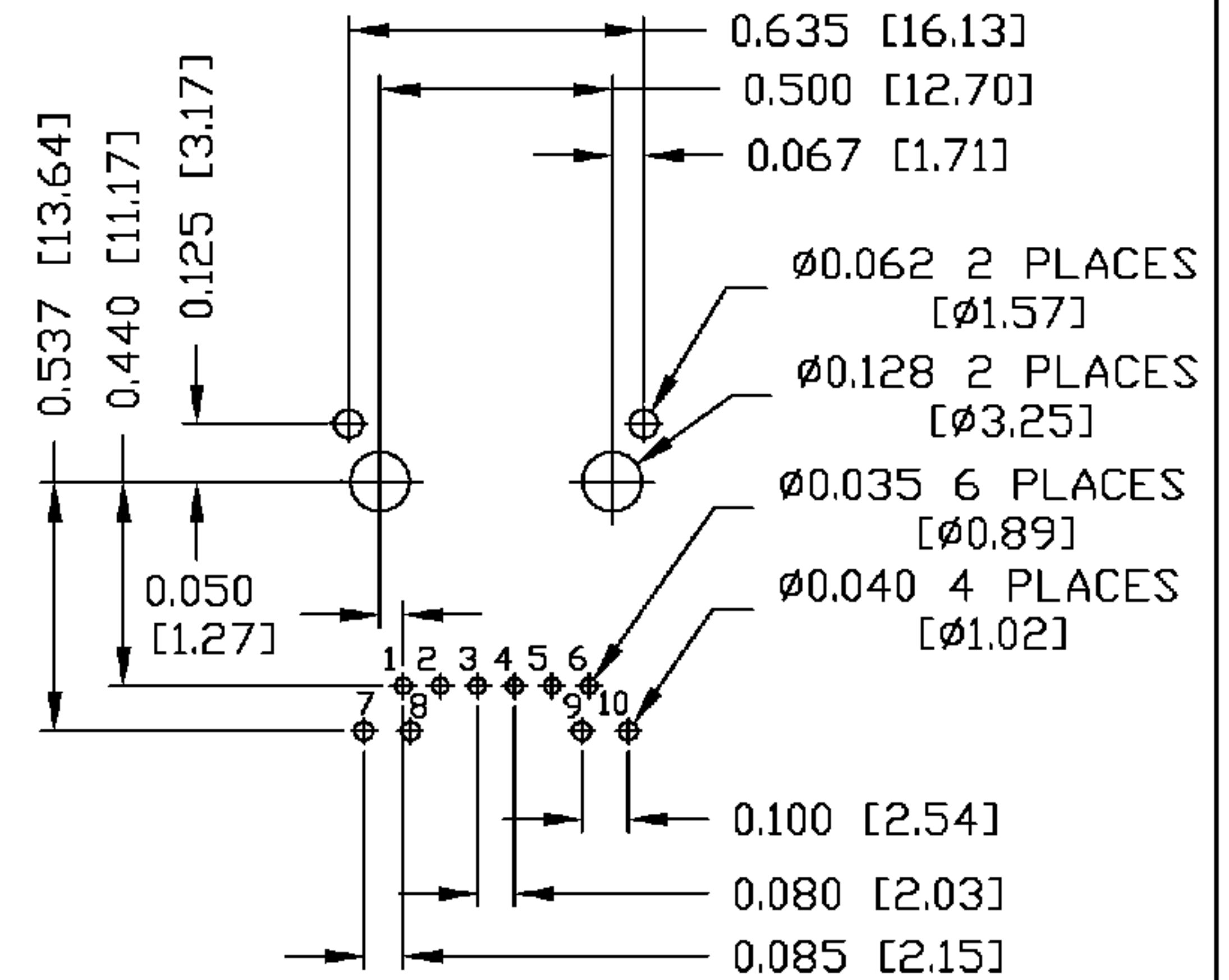
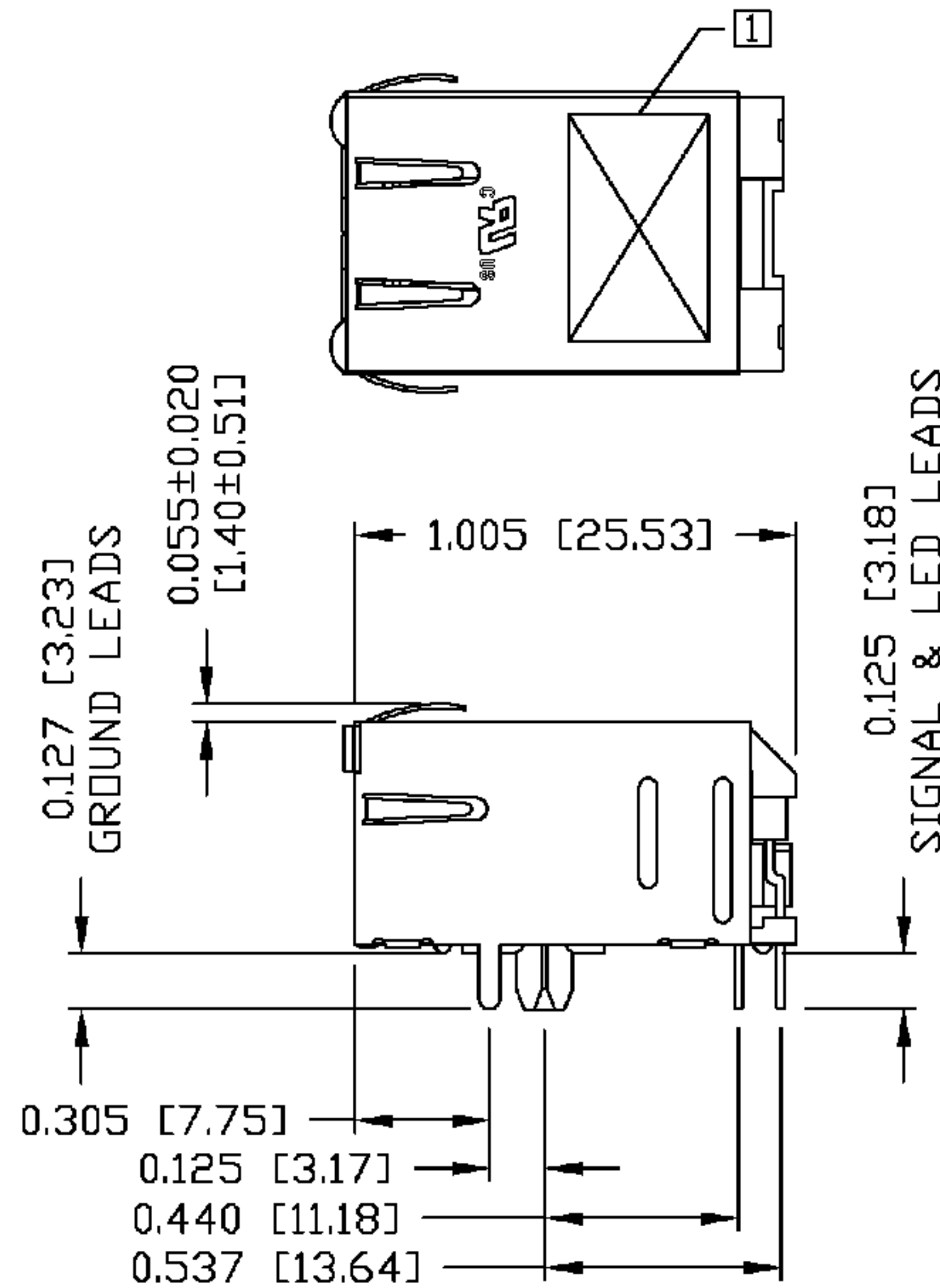
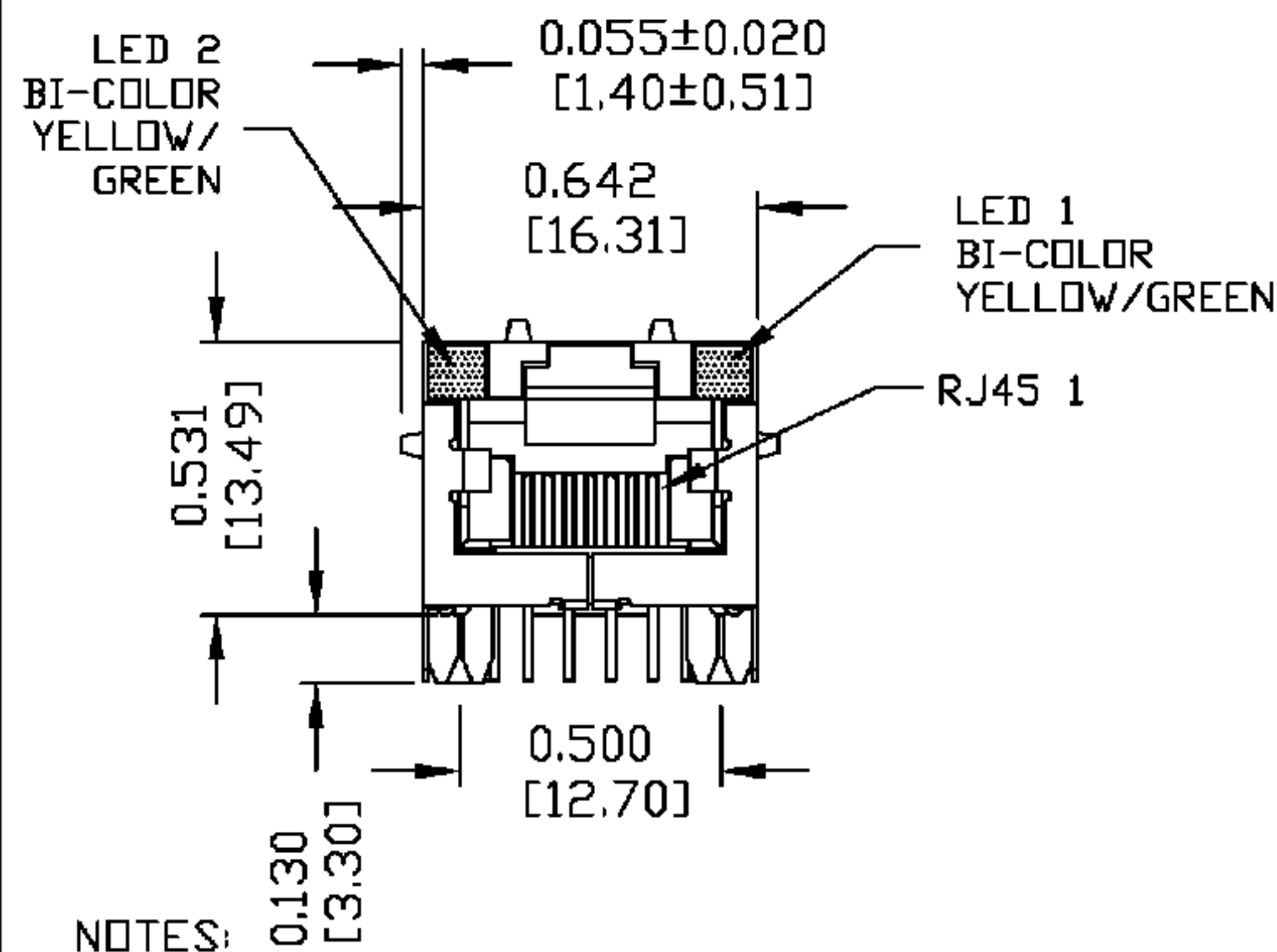


THE INFORMATION CONTAINED HEREIN IS CONSIDERED "PROPRIETARY" TO BEL FUSE INC. AND SHALL NOT BE COPIED, REPRODUCED OR DISCLOSED WITHOUT THE WRITTEN APPROVAL OF BEL FUSE INC.



MECHANICAL SPECIFICATION

RECOMMENDED PCB FOOTPRINT
COMPONENT SIDE VIEW



- PLASTIC HOUSING: THERMOPLASTIC PBT
FLAMMABILITY RATING UL 94V-0
- CONTACTS PLATING: 15 MICRO-INCH HARD GOLD PLATING
- PINS: TIN-COATED COPPER WIRE, DIA 0.018 INCH.
- METAL SHIELD: PRE-PLATED NICKEL ON COPPER ALLOY.
(ALL GROUND LEADS ARE SOLDER DIPPED)
- MARK PART WITH MFG LOGO, MFG NAME, PART NUMBER, AND DATE CODE.
- c us UL RECOGNIZED - FILE #E196366 AND E169987.
- 2. RoHS COMPLIANCE, PER EU DIRECTIVE 2002/95/EC.

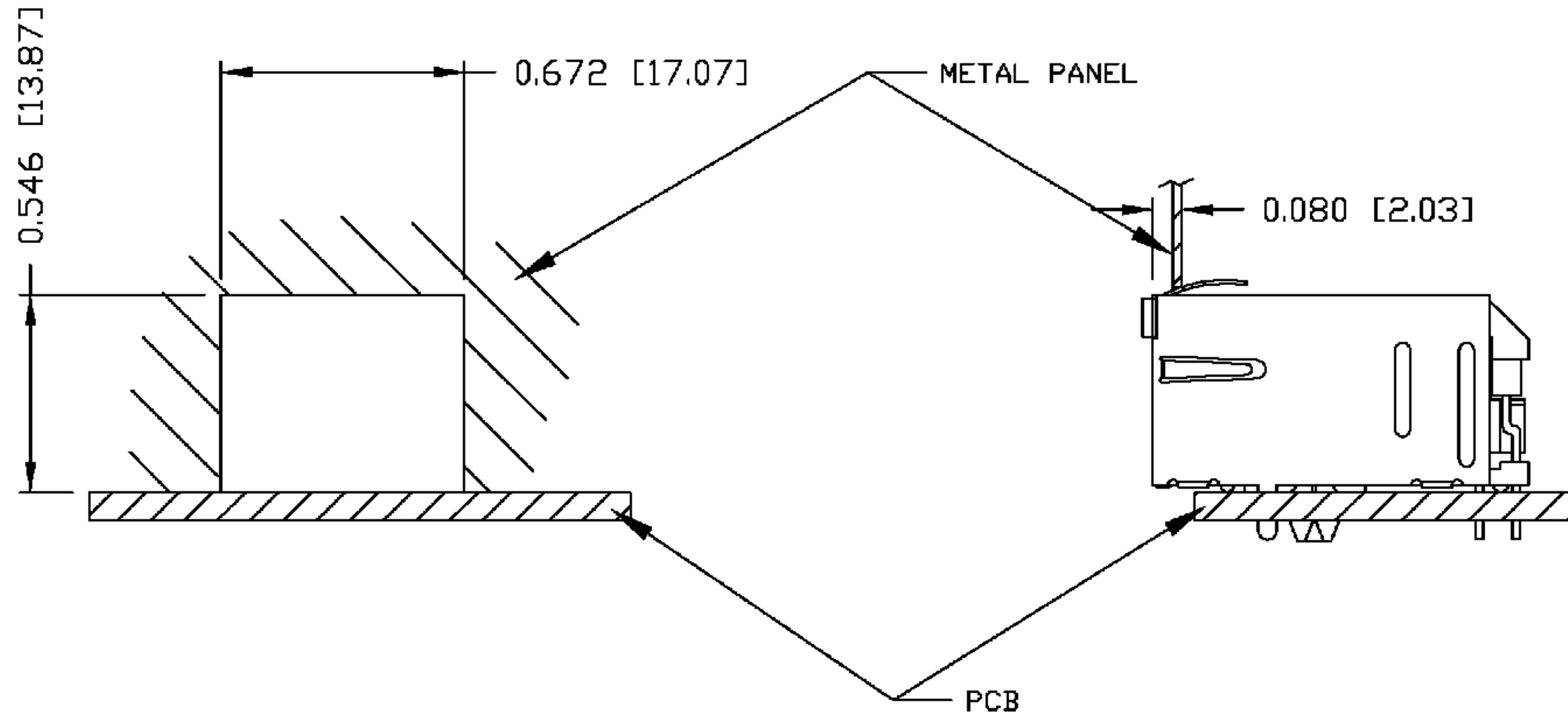
ORIGINATED BY QIN\BILL	DATE 03-17-06	TITLE MagJack® (4 Cores, MDIX, CM Termination)	PART NO. / DRAWING NO. 08B01C1T06-F		STANDARD DIM. TOL. IN INCH		[] METRIC DIM. AS REFERENCE		 COMPONENTS FOR A CONNECTED PLANET
			FILE NAME 08B01C1T06-FA.DWG		.X		UNIT : INCH [mm]	REV. : A	
DRAWN BY TING	DATE 03-17-06				.XX		SCALE : N/A	SIZE : A4	
					.XXX	±0.010	PAGE : 3		

THE INFORMATION CONTAINED HEREIN IS CONSIDERED "PROPRIETARY" TO BEL FUSE INC. AND SHALL NOT BE COPIED, REPRODUCED OR DISCLOSED WITHOUT THE WRITTEN APPROVAL OF BEL FUSE INC.

RoHS
2002/95/EC



SUGGESTED PANEL OPENING



NOTE:

THE DISTANCE OF PANEL INSIDE SURFACE RELATIVE TO FRONT SURFACE OF PART IS ONLY A SUGGESTION. IN CASE THIS DISTANCE IS DIFFERENT, THE REQUIRED PANEL OPENING DIMENSIONS CHANGE ACCORDINGLY.

PACKING INFORMATION

PACKING TRAY : 0200-9999-D4(TOP)

0200-9999-D5(BOTTOM)

PACKING QUANTITY : 60 PCS FINISHED GOODS PER TRAY

11 TRAYS (660 PCS FINISHED GOODS) PER CARTON BOX

NOTE : CARDBOARDS ARE PLACED BETWEEN LAYERS OF PACKING TRAY INSIDE CARTON BOX
(INCLUDE THE UPPERMOST AND LOWERMOST TRAY)

ORIGINATED BY QIN\BILL	DATE 03-17-06	TITLE MagJack® (4 Cores, MDIX, CM Termination)	PART NO. / DRAWING NO. 08B01C1T06-F		STANDARD DIM. TOL. IN INCH		[] METRIC DIM. AS REFERENCE		 COMPONENTS FOR A CONNECTED PLANET
			FILE NAME 08B01C1T06-FA.DWG		.X		UNIT : INCH [mm]	REV. : A	
DRAWN BY TING	DATE 03-17-06			.XX		SCALE : N/A	SIZE : A4		
				.XXX	±0.004		PAGE : 4		