



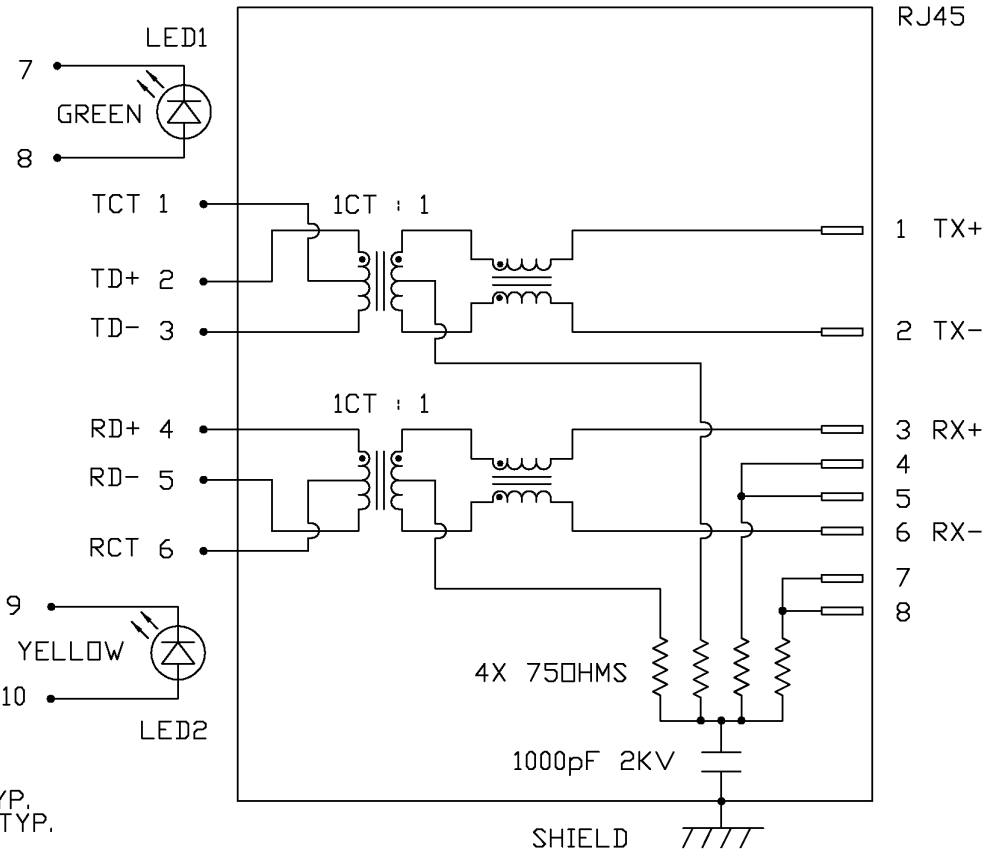
THE INFORMATION CONTAINED HEREIN IS CONSIDERED "PROPRIETARY" TO BEL FUSE INC. AND SHALL NOT BE COPIED, REPRODUCED OR DISCLOSED WITHOUT THE WRITTEN APPROVAL OF BEL FUSE INC.

LED1 POLARITY			LED2 POLARITY		
PIN 7	PIN 8	COLOR	PIN 9	PIN 10	COLOR
-	+	GREEN	-	+	YELLOW

ELECTRICAL CHARACTERISTICS @ 25°C

<p>URNS RATIO TX RX</p> <p>□CL @ 100kHz/100mVRMS 8mA DC BIAS</p> <p>INS. LOSS 1MHz TO 100MHz</p> <p>RET. LOSS (MIN) 1MHz-30MHz 30MHz-60MHz 60MHz-80MHz</p> <p>CROSS TALK (TX - RX) 500kHz-1MHz 10 MHz 30 MHz 50 MHz 100 MHz</p> <p>CM TO CM REJ 100kHz-1MHz 10 MHz 30 MHz 60 MHz 100 MHz</p> <p>CM TO DM REJ 100kHz-1MHz 10 MHz 30 MHz 60 MHz 100 MHz</p> <p>HIPOT (Isolation Voltage): LED 1 VF (FORWARD VOLTAGE) λD (DOMINANT WAVELENGTH) LED 2 VF (FORWARD VOLTAGE) λD (DOMINANT WAVELENGTH)</p>	<p>1CT : 1 1CT : 1</p> <p>350μH MIN.</p> <p>-1.0 dB MAX</p> <p>-18 dB -18+20LOG(F/30MHz) dB -12 dB</p> <p>-70 dB MIN -50 dB MIN -45 dB MIN -40 dB MIN -35 dB MIN</p> <p>-70 dB MIN -47 dB MIN -42 dB MIN -37 dB MIN -30 dB MIN</p> <p>-70 dB MIN -60 dB MIN -50 dB MIN -45 dB MIN -40 dB MIN</p> <p>1500 Vrms or 2250VDC</p> <p>IF=20mA GREEN 2.2V TYP. IF=20mA GREEN 565nm TYP.</p> <p>IF=20mA YELLOW 2.1V TYP. IF=20mA YELLOW 590nm TYP.</p>
---	--

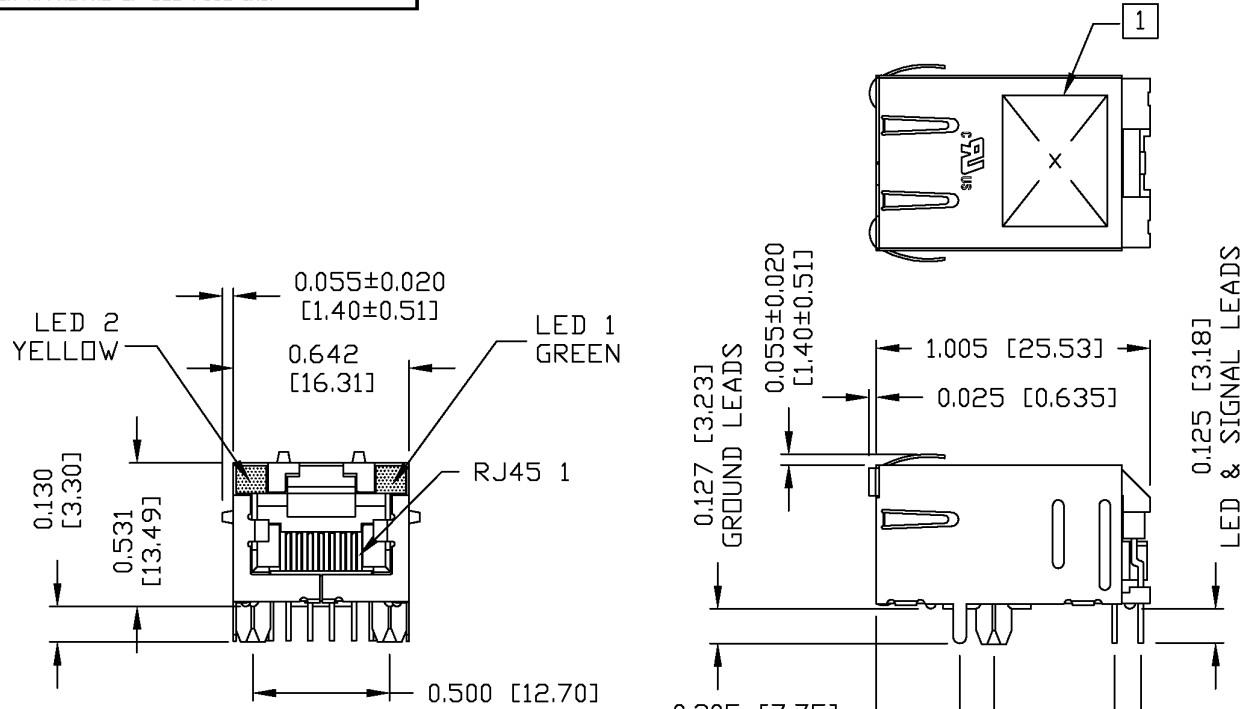
SCHEMATIC



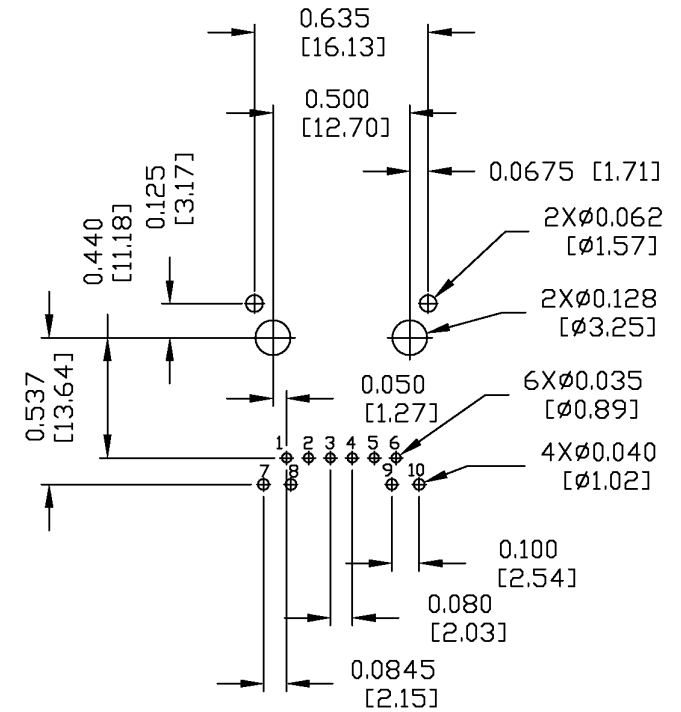
ORIGINATED BY CHUNG	DATE 05-03-06	TITLE MagJack® (EXT. Temp) 08B0-1D1T-06-F	PART NO. / DRAWING NO. 08B01D1T06-F	STANDARD DIM. TOL. IN INCH .X .XX .XXX	[ ] METRIC DIM. AS REFERENCE UNIT : INCH [mm] SCALE : N/A	REV. : A SIZE : A4 PAGE : 2	<b>bel</b> COMPONENTS FOR A CONNECTED PLANET
DRAWN BY DE	DATE 05-03-06	FILE NAME 08B01D1T06-FA.DWG					

THE INFORMATION CONTAINED HEREIN IS CONSIDERED "PROPRIETARY" TO BEL FUSE INC. AND SHALL NOT BE COPIED, REPRODUCED OR DISCLOSED WITHOUT THE WRITTEN APPROVAL OF BEL FUSE INC.

MECHANICAL SPECIFICATION



RECOMMENDED PCB FOOTPRINT  
COMPONENT SIDE VIEW



NOTES:

- PLASTIC HOUSING: THERMOPLASTIC PBT  
FLAMMABILITY RATING UL 94V-0
- CONTACTS PLATING: 15 MICRO-INCH HARD GOLD PLATING  
TIN-COATED COPPER WIRE, DIA 0.018 INCH.
- METAL SHIELD: NICKEL PLATED ON COPPER ALLOY.  
(ALL GROUND LEADS ARE SOLDER DIPPED)

- 1 MARK PART WITH MFG LOGO, MFG NAME, PART NUMBER, AND DATE CODE.  
RoHS COMPLIANT, PER EU DIRECTIVE 2002/95/EC  
JACK CAVITY CONFORMS TO FCC RULES AND REGULATIONS.

UL RECOGNIZED - FILE #E196366 AND E169987.

ORIGINATED BY	DATE	TITLE	PART NO. / DRAWING NO.	STANDARD DIM. TOL. IN INCH	[ ] METRIC DIM. AS REFERENCE
BILL	05-03-06	MagJack® (EXT. Temp) 08B0-1D1T-06-F	08B01D1T06-F	.X	UNIT : INCH [mm] REV. : A
DRAWN BY	DATE		FILE NAME	.XX	SCALE : N/A SIZE : A4
QIN	05-03-06		08B01D1T06-FA.DWG	.XXX ±0.010	SCALE : N/A SIZE : A4 PAGE : 3

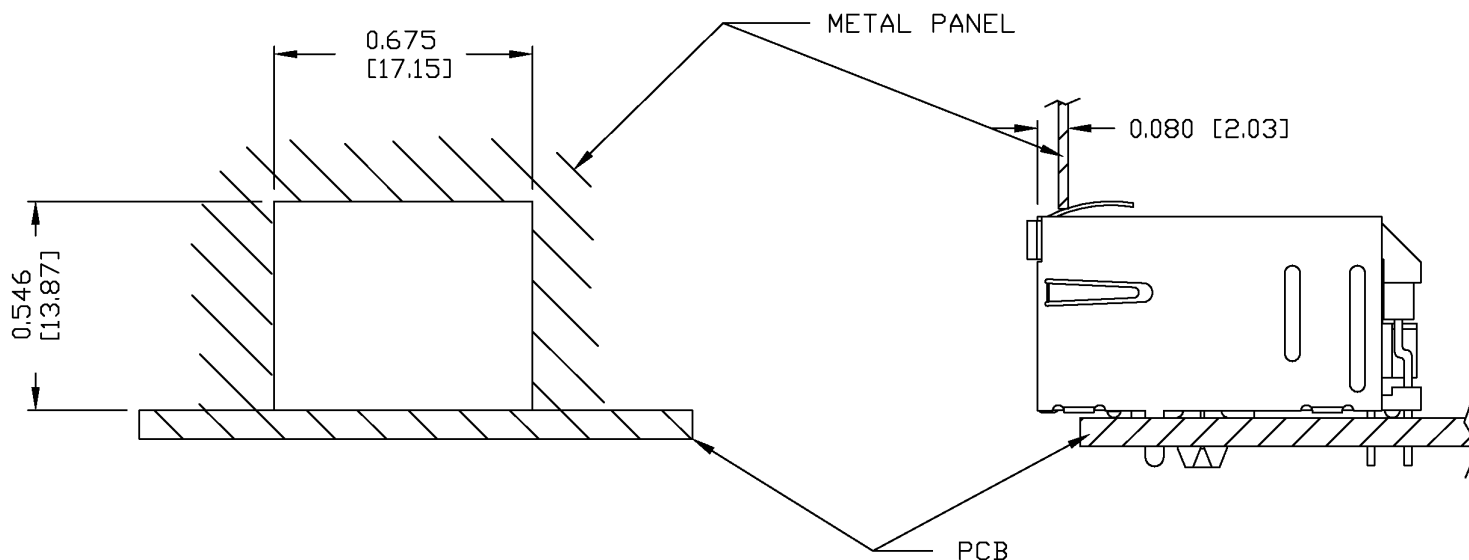


THE INFORMATION CONTAINED HEREIN IS CONSIDERED "PROPRIETARY" TO BEL FUSE INC. AND SHALL NOT BE COPIED, REPRODUCED OR DISCLOSED WITHOUT THE WRITTEN APPROVAL OF BEL FUSE INC.

RoHS  
2002/95/EC



SUGGESTED PANEL OPENING



NOTES:

THE DISTANCE OF PANEL INSIDE SURFACE RELATIVE TO FRONT SURFACE OF PART IS ONLY A SUGGESTION. IN CASE THIS DISTANCE IS DIFFERENT, THE REQUIRED PANEL OPENING DIMENSIONS CHANGE ACCORDINGLY.

PACKING INFORMATION

PACKING TRAY : 0200-9999-D4 (TOP)  
0200-9999-D5 (BOTTOM)

PACKING QUANTITY : 60 PCS FINISHED GOODS PER TRAY  
11 TRAYS (660 PCS FINISHED GOODS) PER CARTON BOX

NOTE : CARDBOARDS ARE PLACED BETWEEN LAYERS OF PACKING TRAY INSIDE CARTON BOX  
(INCLUDE THE UPPERMOST AND LOWERMOST TRAY)

ORIGINATED BY BILL	DATE 05-03-06	TITLE MagJack® (EXT. Temp) 08B0-1D1T-06-F	PART NO. / DRAWING NO. 08B01D1T06-F		STANDARD DIM. TOL. IN INCH		[ ] METRIC DIM. AS REFERENCE		bel COMPONENTS FOR A CONNECTED PLANET
			FILE NAME 08B01D1T06-FA.DWG	.X	.XX	.XXX ±0.004	UNIT : INCH [mm]	REV. : A	
DRAWN BY QIN	DATE 05-03-06						SCALE : N/A	SIZE : A4	
								PAGE : 4	