

Photoelectrics Through-beam for Separate Amplifier Types MOFT, MOFR

CARLO GAVAZZI



- Built-in lens: 2°, 5° or 8°
- Range: 20 m or 50 m
- Modulated infrared light
- High immunity to ambient light
- For amplifier series S142. and S143.
- Degree of protection IP 66/IP 67
- For harsh environment
- High penetration power
- 15 m shielded PVC cable
- Ø 10 mm polycarbonate housing or M12 or M14 stainless steel



Product Description

Small through beam photoelectric switch. Range up to 50 m. 3 beam angles. Waterproof, for dirty environment, i.e. water, dust, steam etc. To be used with ampli-

fiers series S142. - S143. 15 m shielded cable, PVC. Ø 10 x 42 mm polycarbonate or M12 or M14 stainless steel housing. Straight optical axis.

Ordering Key

MOF T 20-M12-2

Type _____
 Emitter _____
 Range _____
 Housing diameter _____
 Optical angle _____

Type Selection

Housing diameter	Rated operating dist. (S _n)	Optical angle	Ordering no.: Emitter	Ordering no.: Receiver
Ø 10 mm	20 m	2°	MOFT 20	MOFR MOFR-5 MOFR-8
		5°		
		8°		
	20 m	2°	MOFT 20-5	
	20 m	5°	MOFT 20-8	
50 m	2°	MOFT 50		
M12	20 m	2°	MOFT 20-M12-2	MOFR-M12-2 MOFR-M12-5 MOFR-M12-8
		5°		
		8°		
	20 m	2°	MOFT 20-M12-5	
	20 m	5°	MOFT 20-M12-8	
50 m	2°	MOFT 50-M12-2		
M14	20 m	8°	MOFT 20-M14-8	MOFR-M14-8
		8°		

Specifications Emitter

Rated operational volt. (U _e)	3 V, (square wave) supplied by amplifier	Light source	GaAlAs LED, 880 nm
Supply current (I _o)	MOFT 20 ≤ 15 mA	Light type	Infrared, modulated
	MOFT 20-5 ≤ 50 mA	Optical angle	± 2°, ± 5°, ± 8°
	MOFT 20-8 ≤ 50 mA	Indications	On amplifier
	MOFT 50 ≤ 50 mA	Protection	Short-circuit, reverse polarity

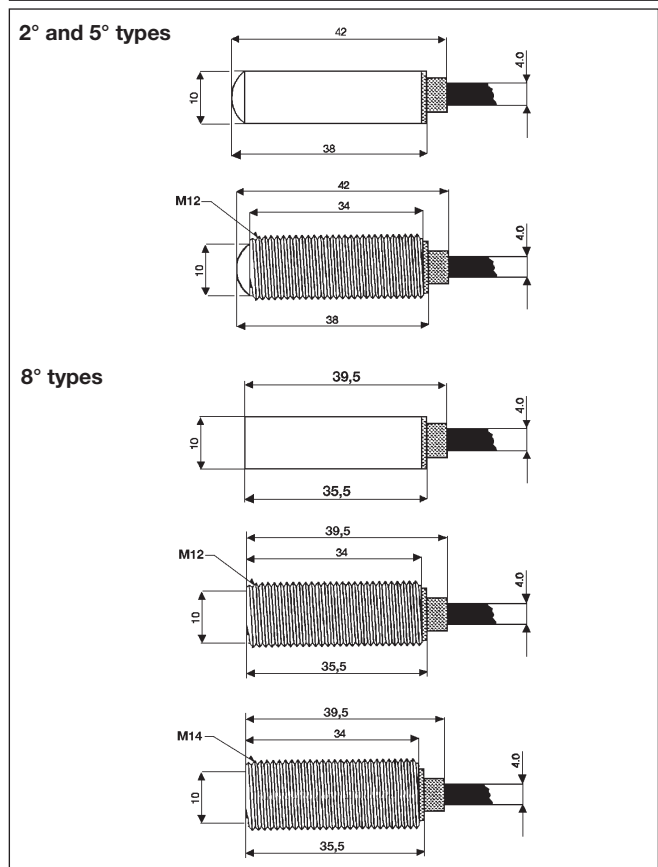
Specifications Receiver

Rated operational volt. (U_e)	8 VDC supplied by amplifier R _{source} 470Ω	Operating frequency (f)	See amplifier data
Supply current (I_o)	≤ 11 mA	Response time (t_{OFF} & t_{ON})	See amplifier data
Sensitivity	Adjustable on amplifier	Power ON delay (t_v)	See amplifier data
Optical angle	± 2°, ± 5°, ± 8°	Indications	On amplifier
Ambient light	10,000 lux (sensitivity ±5%) Note: The actual range will be within ±5% of the set range at an ambient light of 10,000 lux	Protection	Short-circuit, reverse polarity

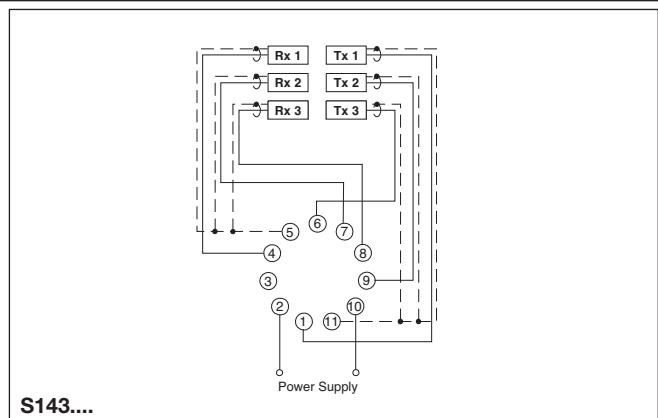
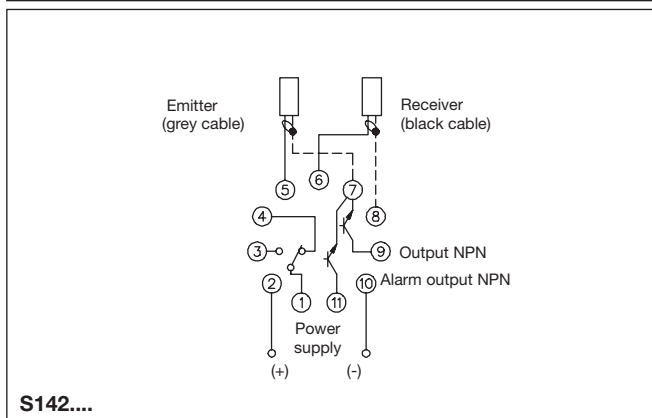
General Specifications

Environment	
Overvoltage category	III (IEC 60664/60664A; 60947-1)
Pollution degree	3 (IEC 60664/60664A; 60947-1)
Degree of protection	IP 66/IP 67 (IEC 60529; 60947-1)
Temperature	
Operating	-20° to +60°C (-4° to +140°F)
Storage	-40° to +80°C (-40° to +176°F)
Vibration	10 to 150 Hz, 0.5 mm/7.5 g (IEC 60068-2-6)
Shock	2 x 1 m & 100 x 0.5 m (IEC 60068-2-6)
Dielectric voltage	500 VAC (rms)
Housing material	Polycarbonate, black
Connection cable	
Emitter	Grey, 15 m oilproof PVC, Ø 4 mm, 1 x 0.25 mm ² , shielded
Receiver	Black, 15 m oilproof PVC, Ø 4 mm, 1 x 0.25 mm ² , shielded
Weight (cable incl.)	347 g emitter 347 g receiver
CE-marking	Yes

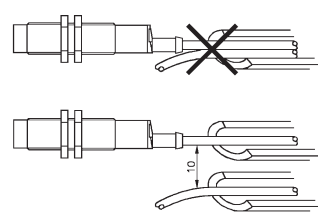
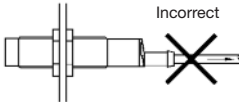

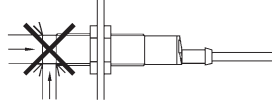
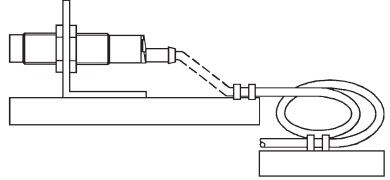
Dimensions



Wiring Diagrams



Installation Hints

<p>To avoid interference from inductive voltage/current peaks, separate the prox. switch power cables from any other power cables, e.g. motor, contactor or solenoid cables</p> 	<p>Relief of cable strain</p> <p>Incorrect</p>  <p>Correct</p>  <p>The cable should not be pulled</p>	<p>Protection of the sensing face</p>  <p>A proximity switch should not serve as mechanical stop</p>	<p>Switch mounted on mobile carrier</p>  <p>Any repetitive flexing of the cable should be avoided</p>
---	---	--	--

Delivery Contents

- MOFT.. and MOFR
- All M12-types: 2 pcs. M12 nuts
- All M14-types: 2 pcs. M14 nuts
- **Packaging:** Plastic bag, emitter and receiver packed separately

Accessories

- Mounting bracket MB-M01