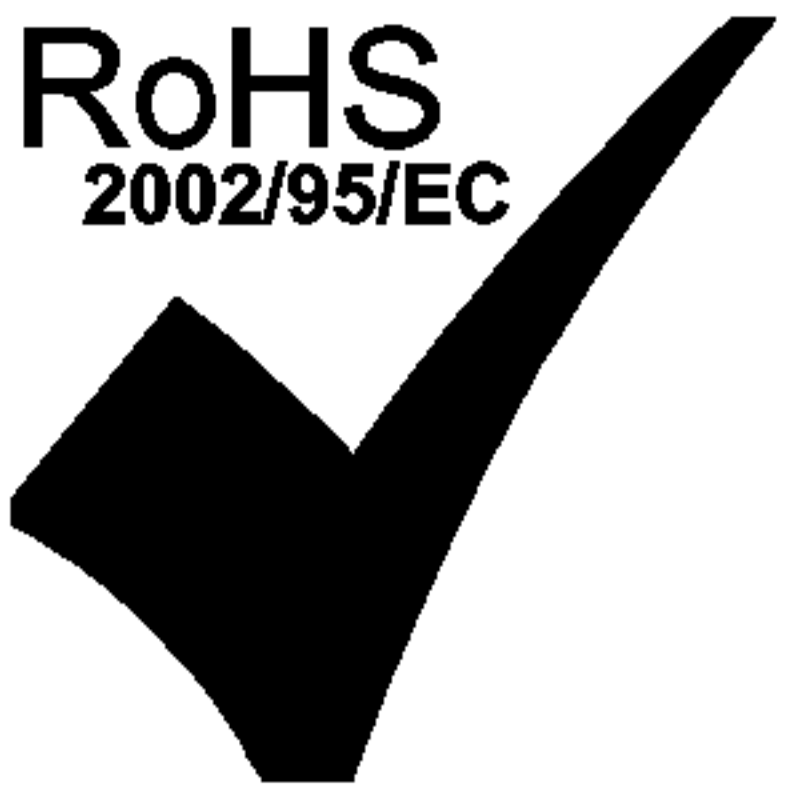


THE INFORMATION CONTAINED HEREIN IS CONSIDERED "PROPRIETARY" TO BEL FUSE INC. AND SHALL NOT BE COPIED, REPRODUCED OR DISCLOSED WITHOUT THE WRITTEN APPROVAL OF BEL FUSE INC.

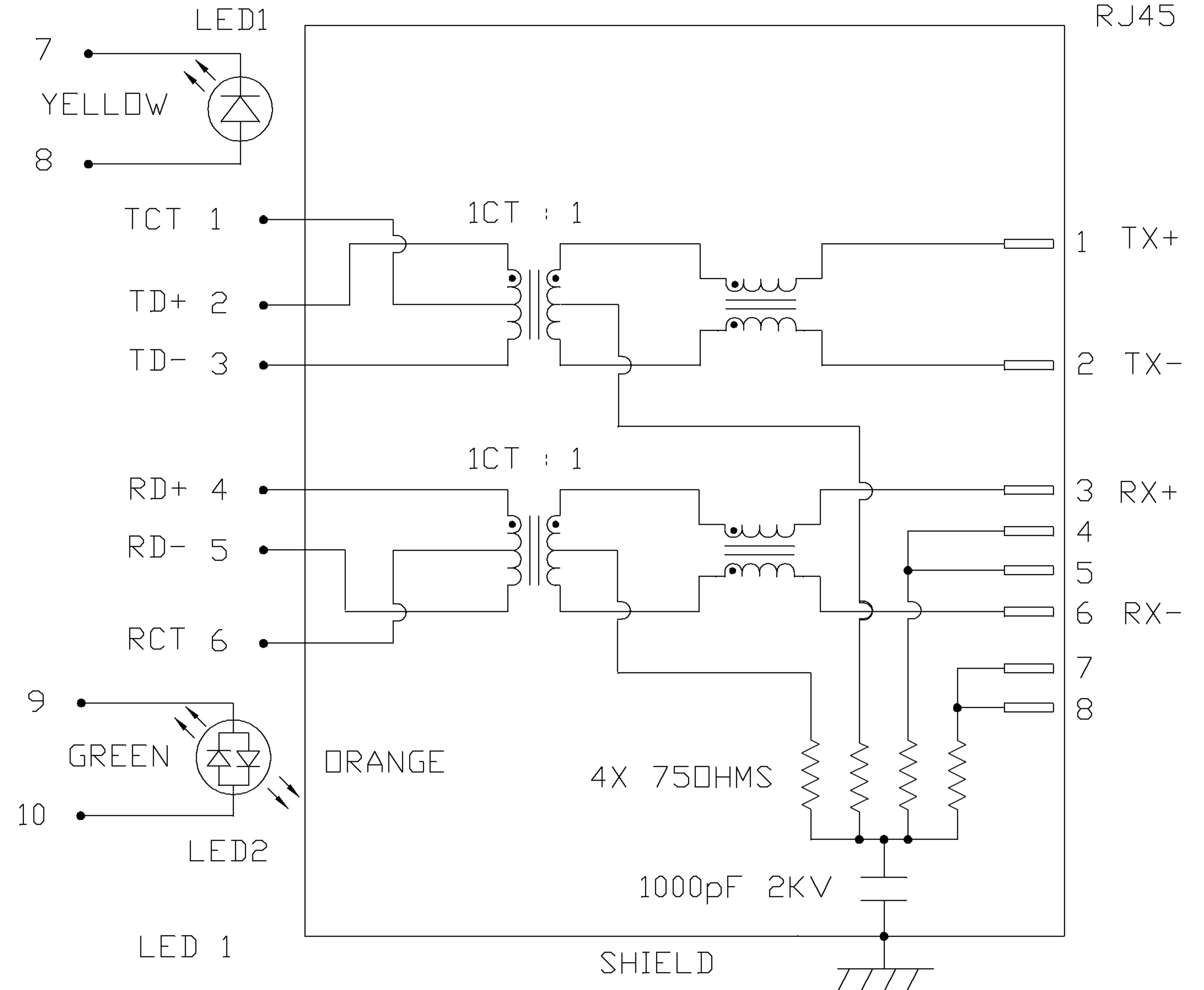


LED1 POLARITY			LED2 POLARITY		
PIN 7	PIN 8	COLOR	PIN 9	PIN 10	COLOR
-	+	YELLOW	+	-	ORANGE
/	/	/	-	+	GREEN

SCHEMATIC

ELECTRICAL CHARACTERISTICS @ 25°C

<p>TRANSFORMER RATIO</p> <p>TX 1CT : 1</p> <p>RX 1CT : 1</p> <p>□CL @ 100kHz/100mVRMS 8mA DC BIAS 350μH MIN.</p> <p>INS. LOSS 1MHz TO 100MHz -1.0 dB MAX</p> <p>RET. LOSS (MIN) 1MHz-30MHz -18 dB</p> <p>30MHz-60MHz -18+20LOG(F/30MHz) dB</p> <p>60MHz-80MHz -12 dB</p> <p>CROSS TALK (TX - RX) 500kHz-1MHz -70 dB MIN</p> <p>10 MHz -50 dB MIN</p> <p>30 MHz -45 dB MIN</p> <p>50 MHz -40 dB MIN</p> <p>100 MHz -35 dB MIN</p> <p>CM TO CM REJ 100kHz-1MHz -70 dB MIN</p> <p>10 MHz -47 dB MIN</p> <p>30 MHz -42 dB MIN</p> <p>60 MHz -37 dB MIN</p> <p>100 MHz -30 dB MIN</p> <p>CM TO DM REJ 100kHz-1MHz -70 dB MIN</p> <p>10 MHz -60 dB MIN</p> <p>30 MHz -50 dB MIN</p> <p>60 MHz -45 dB MIN</p> <p>100 MHz -40 dB MIN</p> <p>HIPOT (Isolation Voltage): 1500 Vrms</p> <p>100% OF PRODUCTION TESTED TO COMPLY WITH IEEE 802.3 ISOLATION REQUIREMENTS.</p>	<p>1CT : 1</p> <p>1CT : 1</p> <p>350μH MIN.</p> <p>-1.0 dB MAX</p> <p>-18 dB</p> <p>-18+20LOG(F/30MHz) dB</p> <p>-12 dB</p> <p>-70 dB MIN</p> <p>-50 dB MIN</p> <p>-45 dB MIN</p> <p>-40 dB MIN</p> <p>-35 dB MIN</p> <p>-70 dB MIN</p> <p>-47 dB MIN</p> <p>-42 dB MIN</p> <p>-37 dB MIN</p> <p>-30 dB MIN</p> <p>-70 dB MIN</p> <p>-60 dB MIN</p> <p>-50 dB MIN</p> <p>-45 dB MIN</p> <p>-40 dB MIN</p> <p>1500 Vrms</p>
---	--



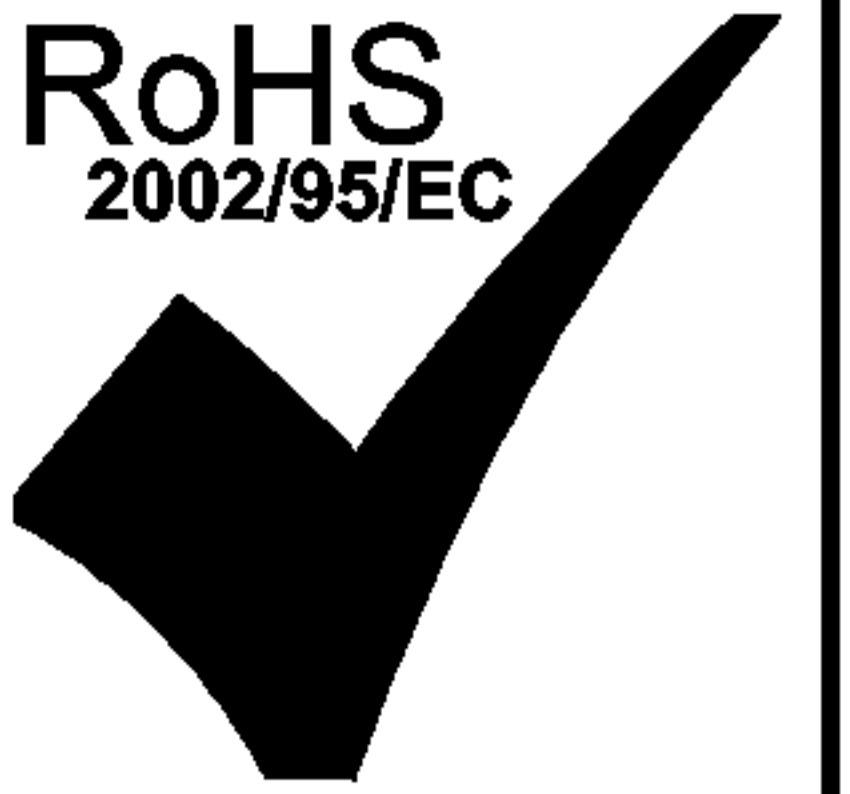
LED 1
 VF (FORWARD VOLTAGE) IF=20mA YELLOW 2.1V TYP.
 λ D (DOMINANT WAVELENGTH) IF=20mA YELLOW 590nm TYP.

LED 2
 VF (FORWARD VOLTAGE) IF=20mA ORANGE 2.0V TYP.
 GREEN 2.2V TYP.
 λ D (DOMINANT WAVELENGTH) IF=20mA ORANGE 610nm TYP.
 GREEN 565nm TYP.

ORIGINATED BY CHOU WANCHUNG	DATE 03-25-08	TITLE MagJack® (4 Cores, MDIX, CM Termination)	PART NO. / DRAWING NO. 08B01X1T06-F	STANDARD DIM. TOL. IN INCH	[] METRIC DIM. AS REFERENCE	<p>COMPONENTS FOR A CONNECTED PLANET</p>
DRAWN BY DENG PING	DATE 03-25-08	FILE NAME 08B0-1X1T-06-F	.X	UNIT : INCH [mm]	REV. : B	
			.XX	SCALE : N/A	SIZE : A4	
			.XXX		PAGE : 2	

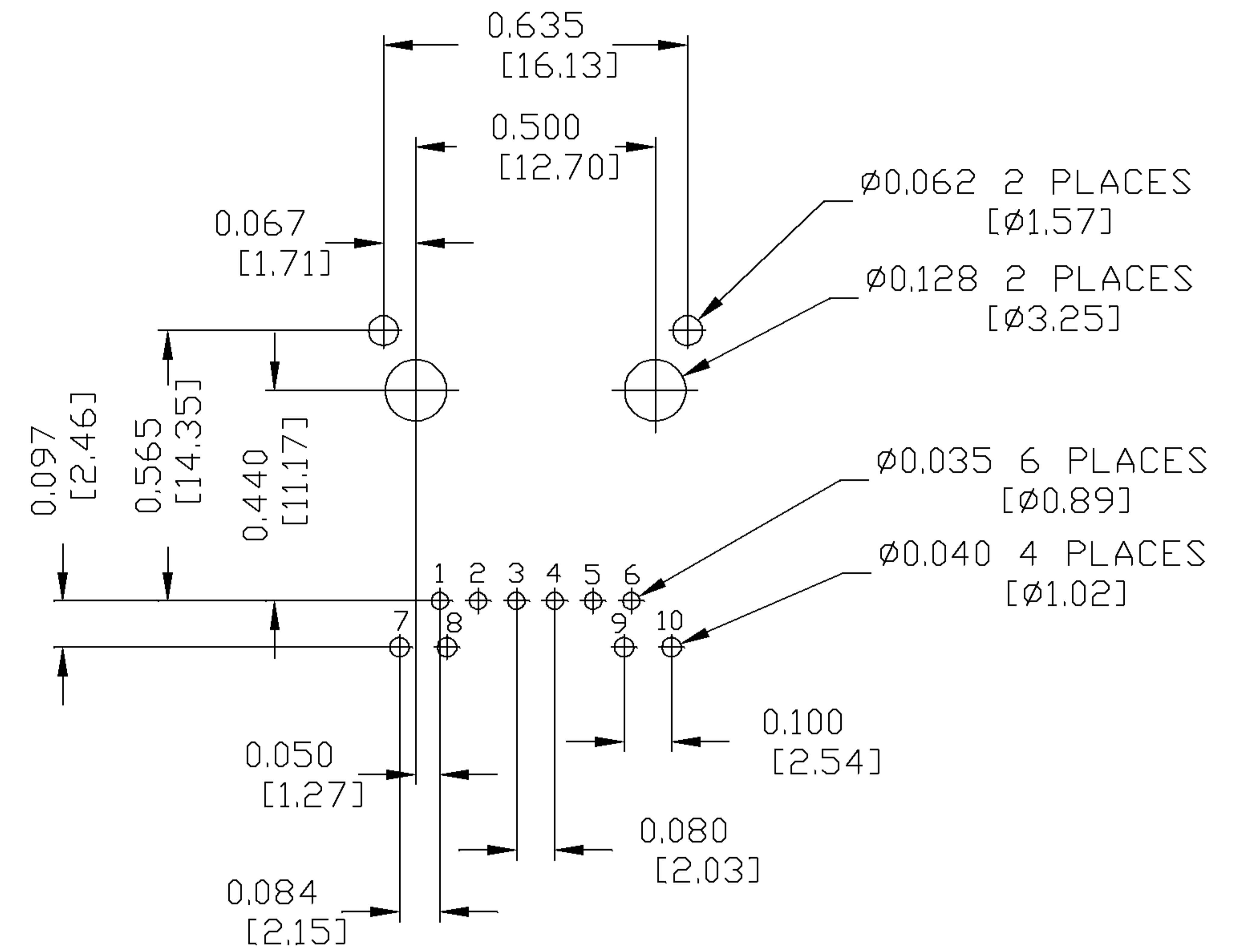
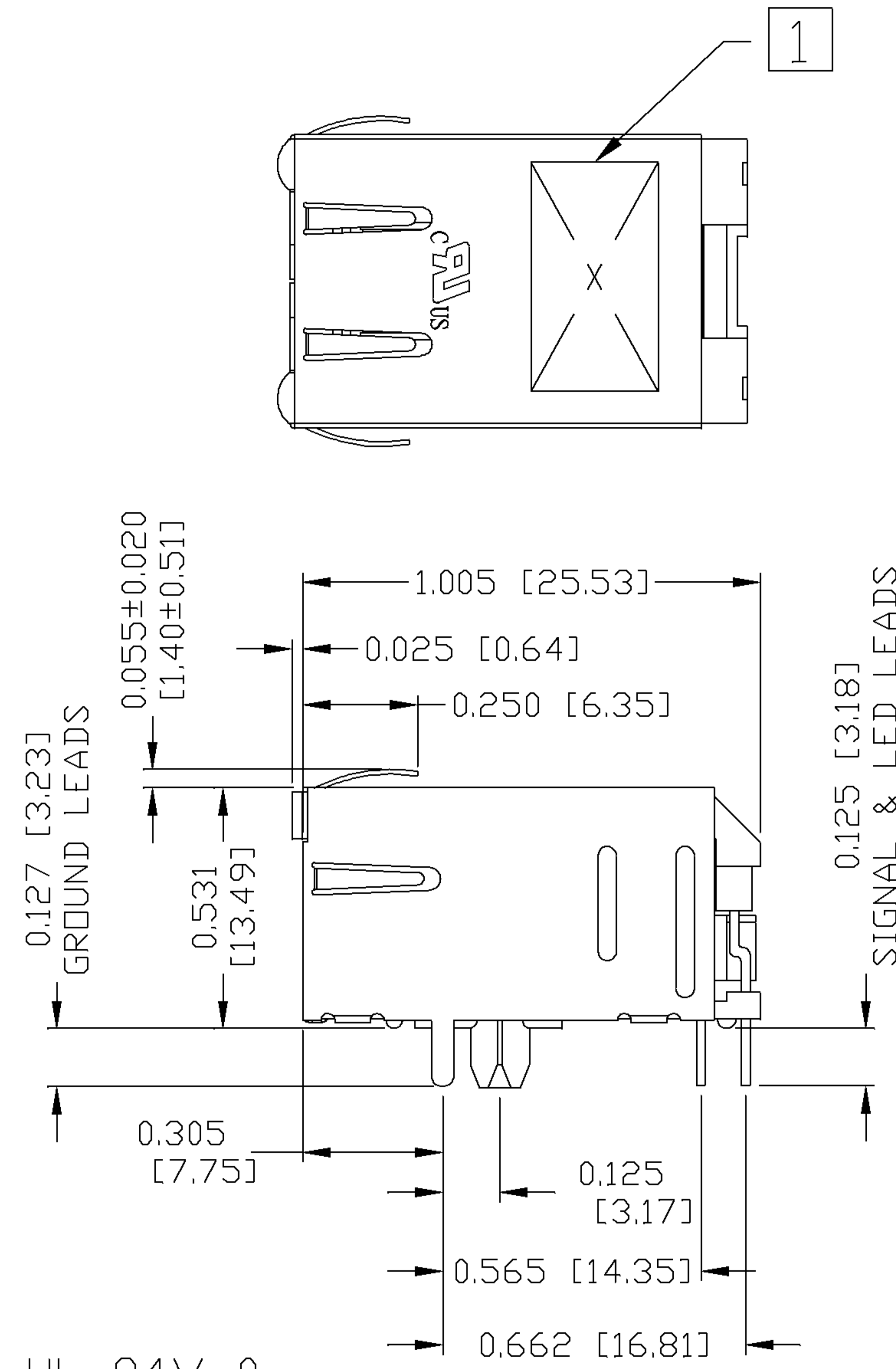
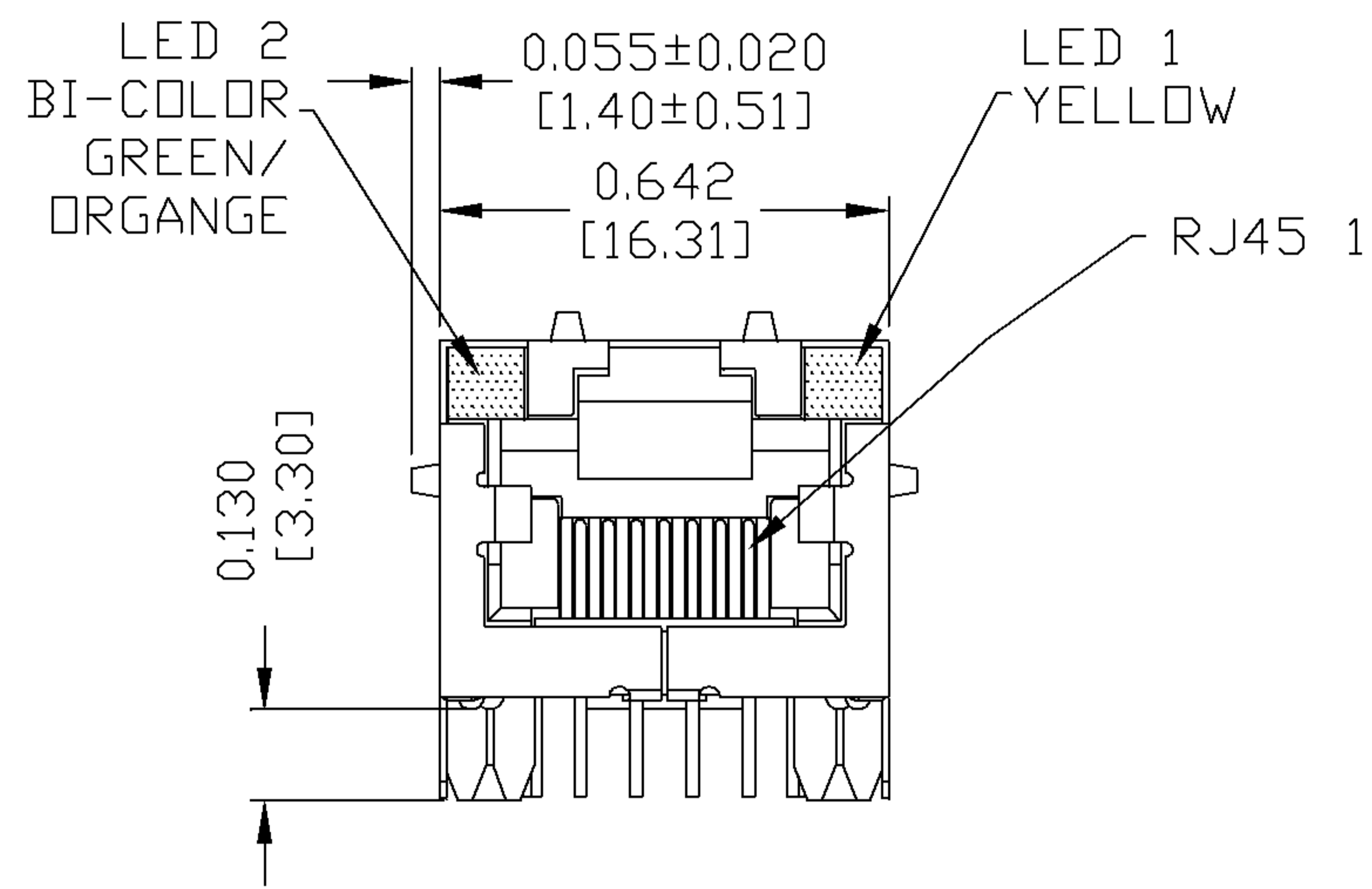
THE INFORMATION CONTAINED HEREIN IS CONSIDERED "PROPRIETARY" TO BEL FUSE INC. AND SHALL NOT BE COPIED, REPRODUCED OR DISCLOSED WITHOUT THE WRITTEN APPROVAL OF BEL FUSE INC.

RoHS
2002/95/EC



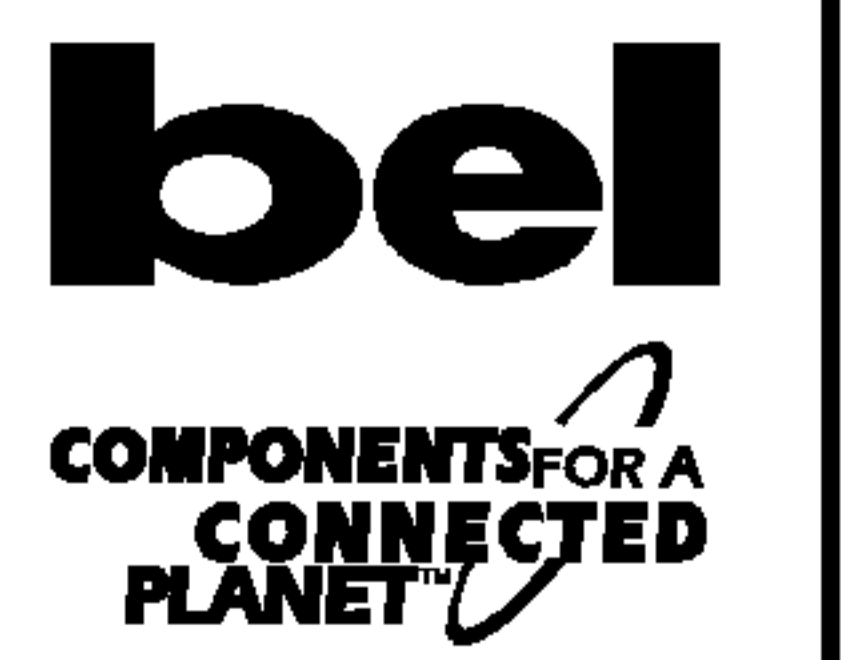
MECHANICAL SPECIFICATION

RECOMMENDED PCB FOOTPRINT
COMPONENT SIDE VIEW

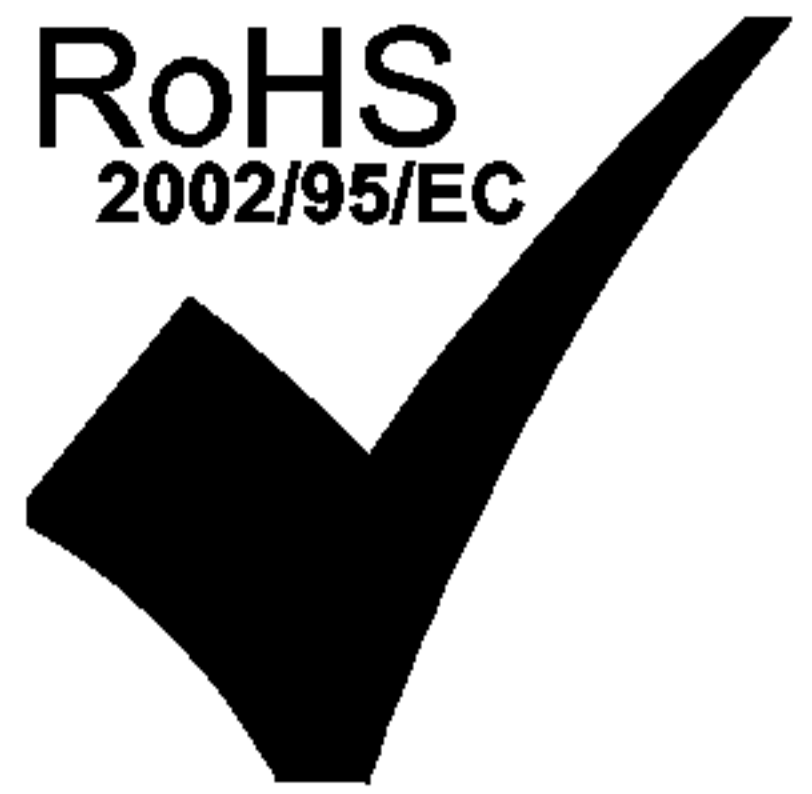


- NOTES:
- PLASTIC HOUSING: THERMOPLASTIC PBT
FLAMMABILITY RATING UL 94V-0
 - CONTACTS PLATING: 15 MICRO-INCH HARD GOLD PLATING
 - PINS: TIN-COATED COPPER WIRE, DIA 0.018 INCH.
 - METAL SHIELD: PRE-PLATED NICKEL ON COPPER ALLOY.
 - ① MARK PART WITH MFG LOGO, MFG NAME, PART NUMBER, AND DATE CODE.
 - US UL RECOGNIZED - FILE #E196366 AND E169987.
 - 2. RoHS COMPLIANCE, PER EU DIRECTIVE 2002/95/EC.

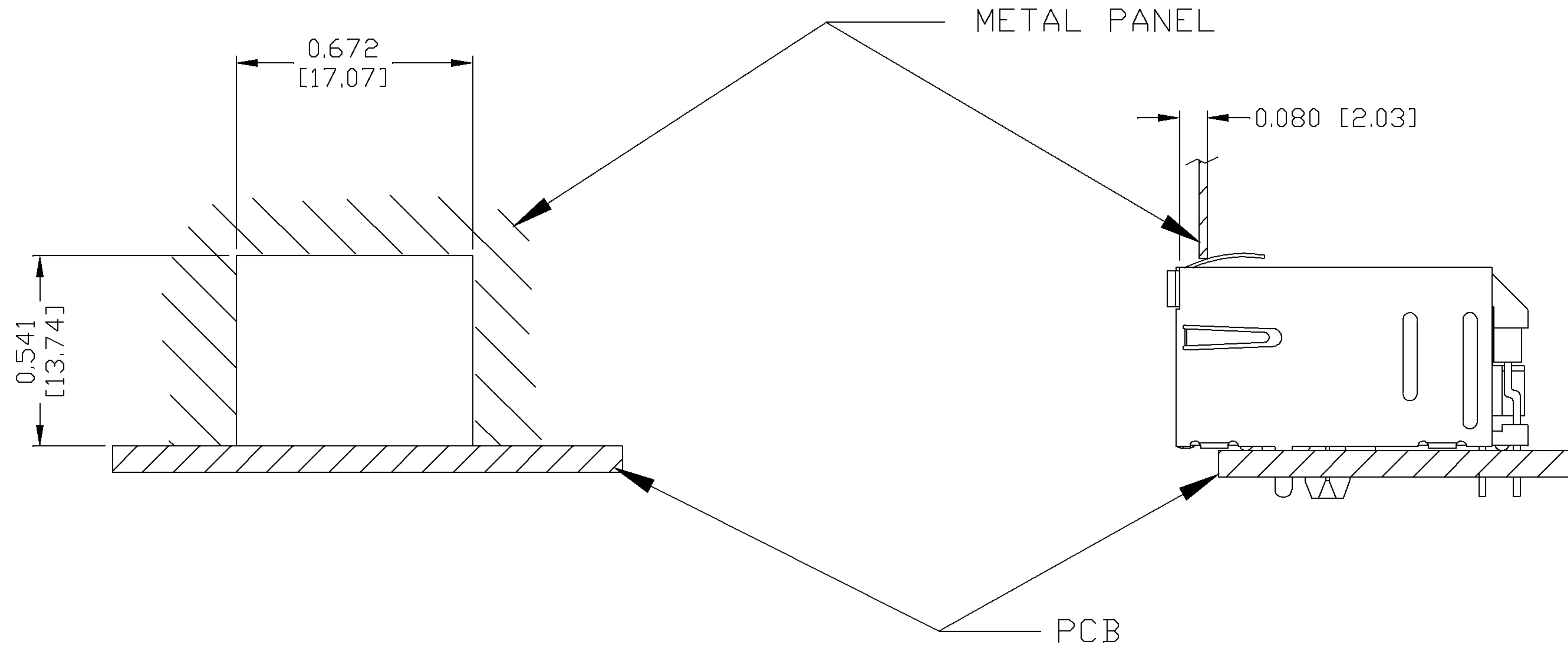
ORIGINATED BY CHEN BILL	DATE 03-25-08	TITLE MagJack® (4 Cores, MDIX, CM Termination)	PART NO. / DRAWING NO. 08B01X1T06-F	STANDARD DIM. TOL. IN INCH	[] METRIC DIM. AS REFERENCE
DRAWN BY WEI SHAOYI	DATE 03-25-08	08B0-1X1T-06-F	FILE NAME 08B01X1T06-F_B.DWG	.X .XX .XXX ±0.010	UNIT : INCH [mm] SCALE : N/A REV. : B SIZE : A4 PAGE : 3



THE INFORMATION CONTAINED HEREIN IS CONSIDERED "PROPRIETARY" TO BEL FUSE INC. AND SHALL NOT BE COPIED, REPRODUCED OR DISCLOSED WITHOUT THE WRITTEN APPROVAL OF BEL FUSE INC.



SUGGESTED PANEL OPENING



NOTE:

THE DISTANCE OF PANEL INSIDE SURFACE RELATIVE TO FRONT SURFACE OF PART IS ONLY A SUGGESTION. IN CASE THIS DISTANCE IS DIFFERENT, THE REQUIRED PANEL OPENING DIMENSIONS CHANGE ACCORDINGLY.

PACKING INFORMATION

PACKING TRAY : 0200-9999-D4(TOP)

0200-9999-D5(BOTTOM)

PACKING QUANTITY : 60 PCS FINISHED GOODS PER TRAY

11 TRAYS (660 PCS FINISHED GOODS) PER CARTON BOX

NOTE : CARDBOARDS ARE PLACED BETWEEN LAYERS OF PACKING TRAY INSIDE CARTON BOX (INCLUDE THE UPPERMOST AND LOWERMOST TRAY)

ORIGINATED BY	DATE	TITLE	PART NO. / DRAWING NO.	STANDARD DIM. TOL. IN INCH	[] METRIC DIM. AS REFERENCE
CHEN BILL	03-25-08	MagJack®	08B01X1T06-F	.X	UNIT : INCH [mm] REV. : B
DRAWN BY	DATE	(4 Cores, MDIX, CM Termination)	FILE NAME	.XX	SCALE : N/A SIZE : A4
WEI SHAOYI	03-25-08	08B0-1X1T-06-F	08B01X1T06-F_B.DWG	.XXX ±0.010	PAGE : 4

