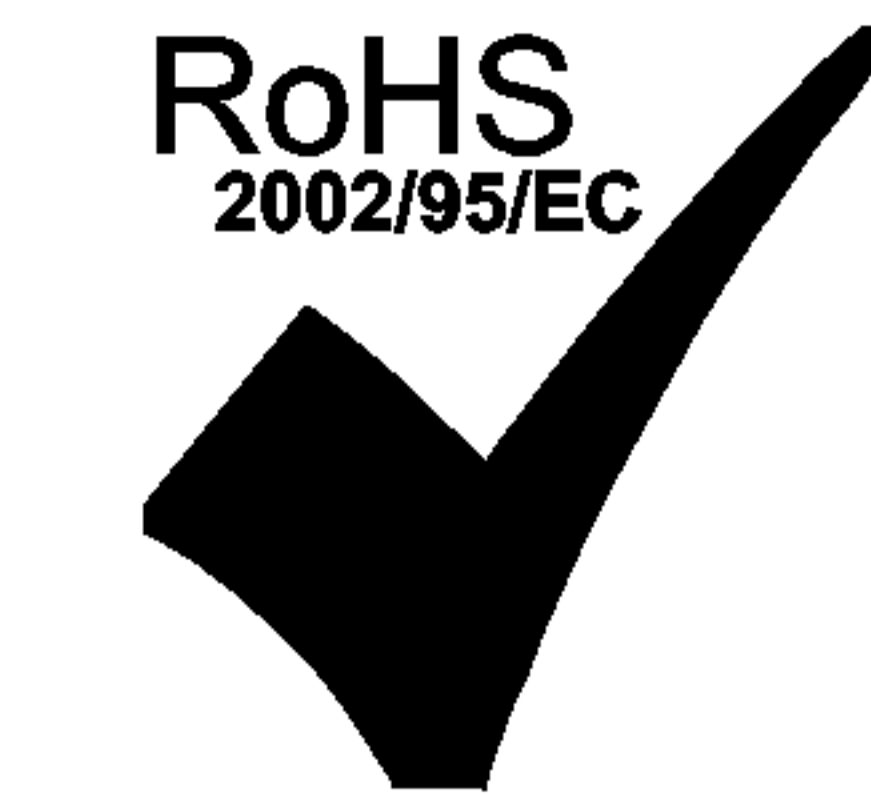


THE INFORMATION CONTAINED HEREIN IS CONSIDERED "PROPRIETARY" TO BEL FUSE INC. AND SHALL NOT BE COPIED, REPRODUCED OR DISCLOSED WITHOUT THE WRITTEN APPROVAL OF BEL FUSE INC.



LED1 POLARITY			LED2 POLARITY		
PIN 7	PIN 8	COLOR	PIN 9	PIN 10	COLOR
/	/	/	+	-	ORANGE
-	+	YELLOW	-	+	GREEN

ELECTRICAL CHARACTERISTICS @ 25°C

URNS RATIO

TX 1CT : 1  
 RX 1CT : 1  
 OCL @ 100kHz/100mVRMS 350μH MIN.  
 8mA DC BIAS  
 INS. LOSS -1.0 dB MAX

1MHz TO 100MHz  
 RET. LOSS (MIN)  
 1MHz-30MHz -18 dB  
 30MHz-60MHz -18+20LOG(F/30MHz) dB  
 60MHz-80MHz -12 dB  
 CROSS TALK (TX - RX)  
 100kHz-100MHz -35 dB MIN

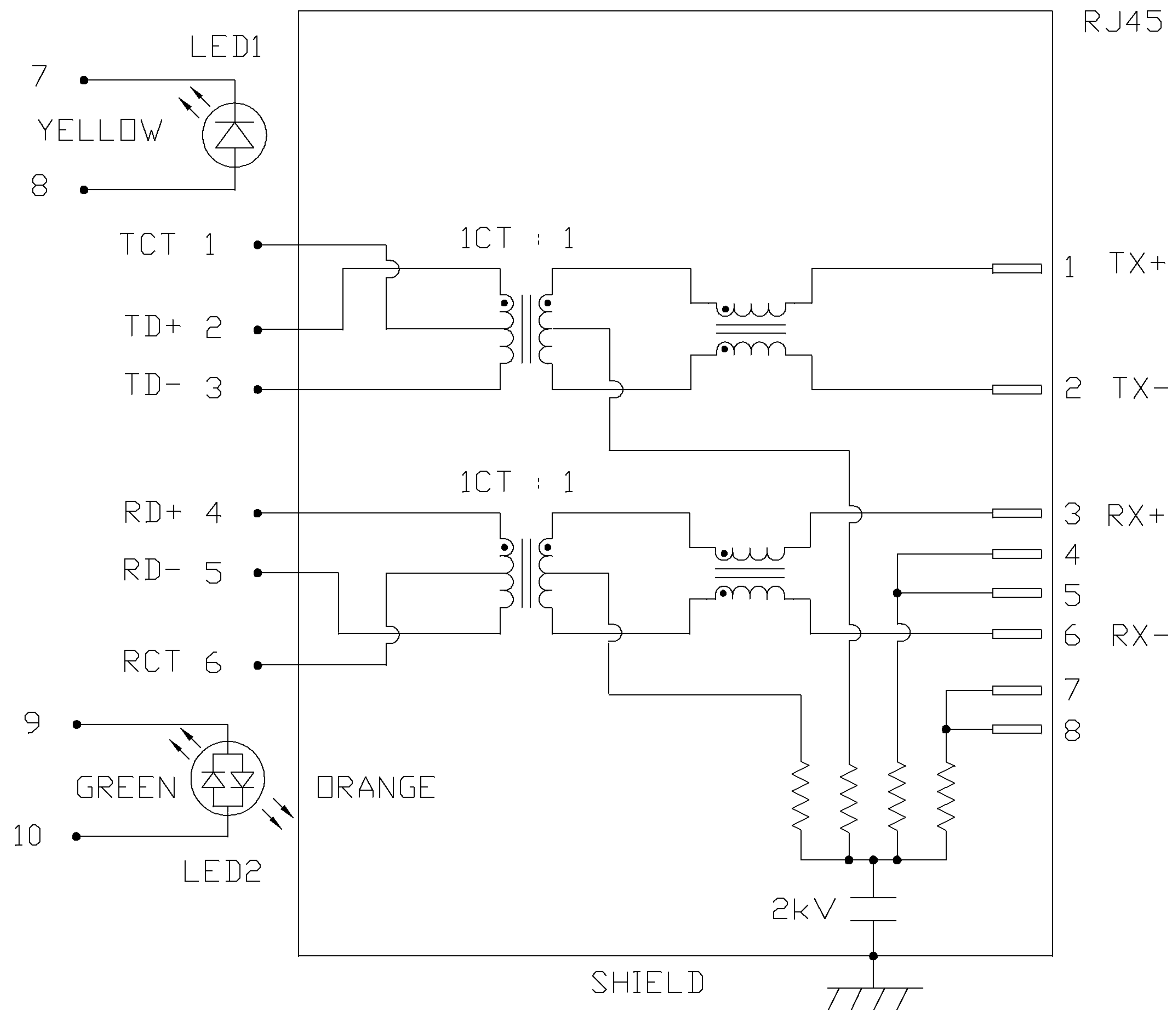
CM TO CM REJ -30 dB MIN  
 100kHz-100MHz

CM TO DM REJ -40 dB MIN  
 100kHz-100MHz

HIPOT (Isolation Voltage): 1500 Vrms  
 100% OF PRODUCTION TESTED TO COMPLY WITH IEEE 802.3 ISOLATION REQUIREMENTS.

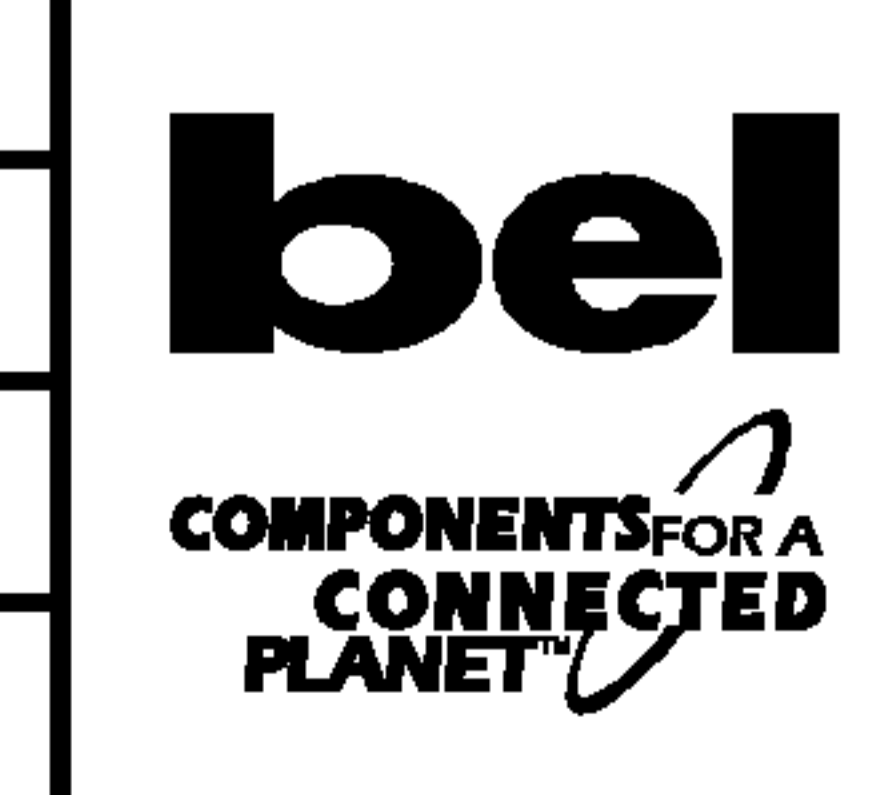
LED 1  
 VF (FORWARD VOLTAGE) IF=20mA YELLOW 2.1V TYP.  
 λD (DOMINANT WAVELENGTH) IF=20mA YELLOW 590nm TYP.  
 LED 2  
 VF (FORWARD VOLTAGE) IF=20mA GREEN 2.2V TYP.  
 ORANGE 2.0V TYP.  
 λD (DOMINANT WAVELENGTH) IF=20mA GREEN 565nm TYP.  
 ORANGE 610nm TYP.

SCHEMATIC



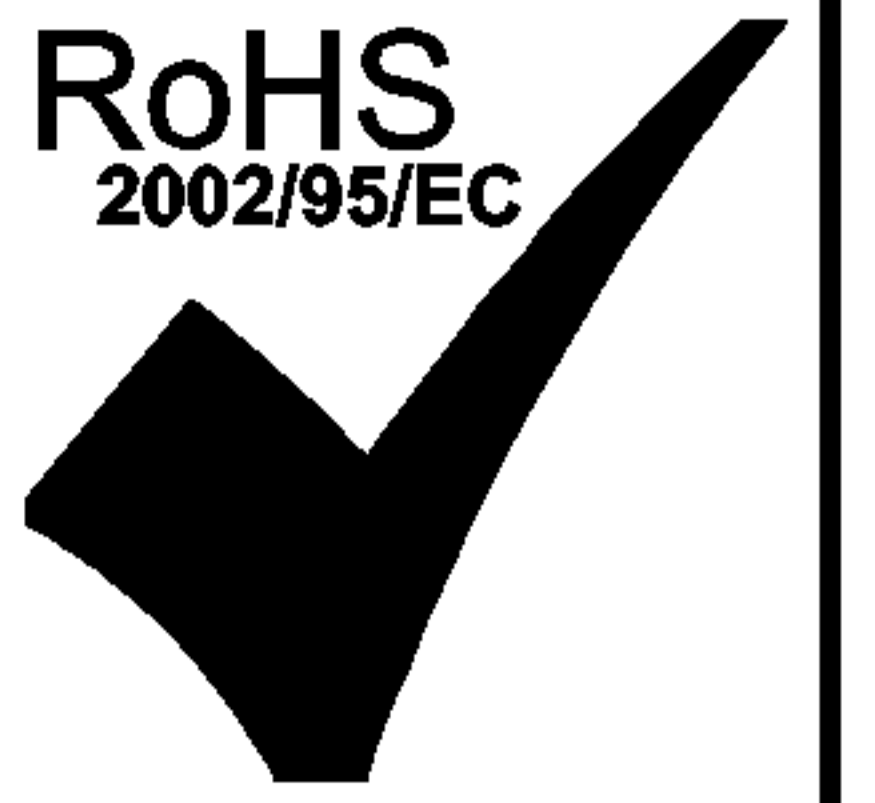
USB ELECTRICAL:  
 INSULATION RESISTANCE: 1000 MEG W (MIN)  
 CONTACT RESISTANCE: 25 MILLI W (MAX)  
 DIELECTRIC WITHSTANDING: 750 VAC

ORIGINATED BY	DATE	TITLE	PART NO. / DRAWING NO.	STANDARD DIM. TOL. IN INCH	[ ] METRIC DIM. AS REFERENCE
CHOW WANCHUNG	12-26-07	MagJack® Combo (EXT. Temp., CM Termination)	08C2-1X1T-36	.X	UNIT : INCH [mm] REV. : B
DRAWN BY	DATE		FILE NAME	.XX	SCALE : N/A SIZE : A4
DENG PING	12-26-07		08C2-1X1T-36_B.DWG	.XXX	PAGE : 2

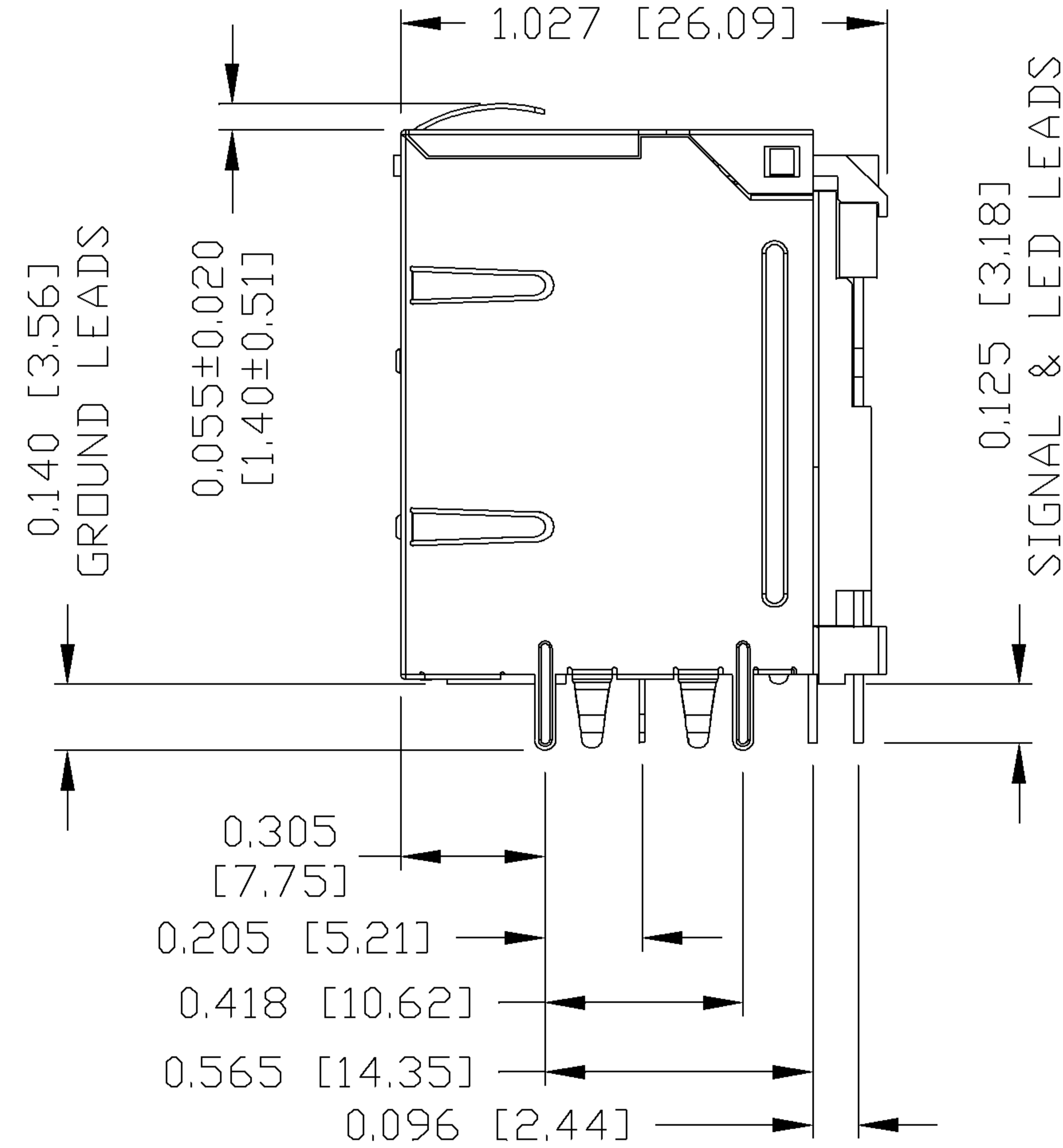
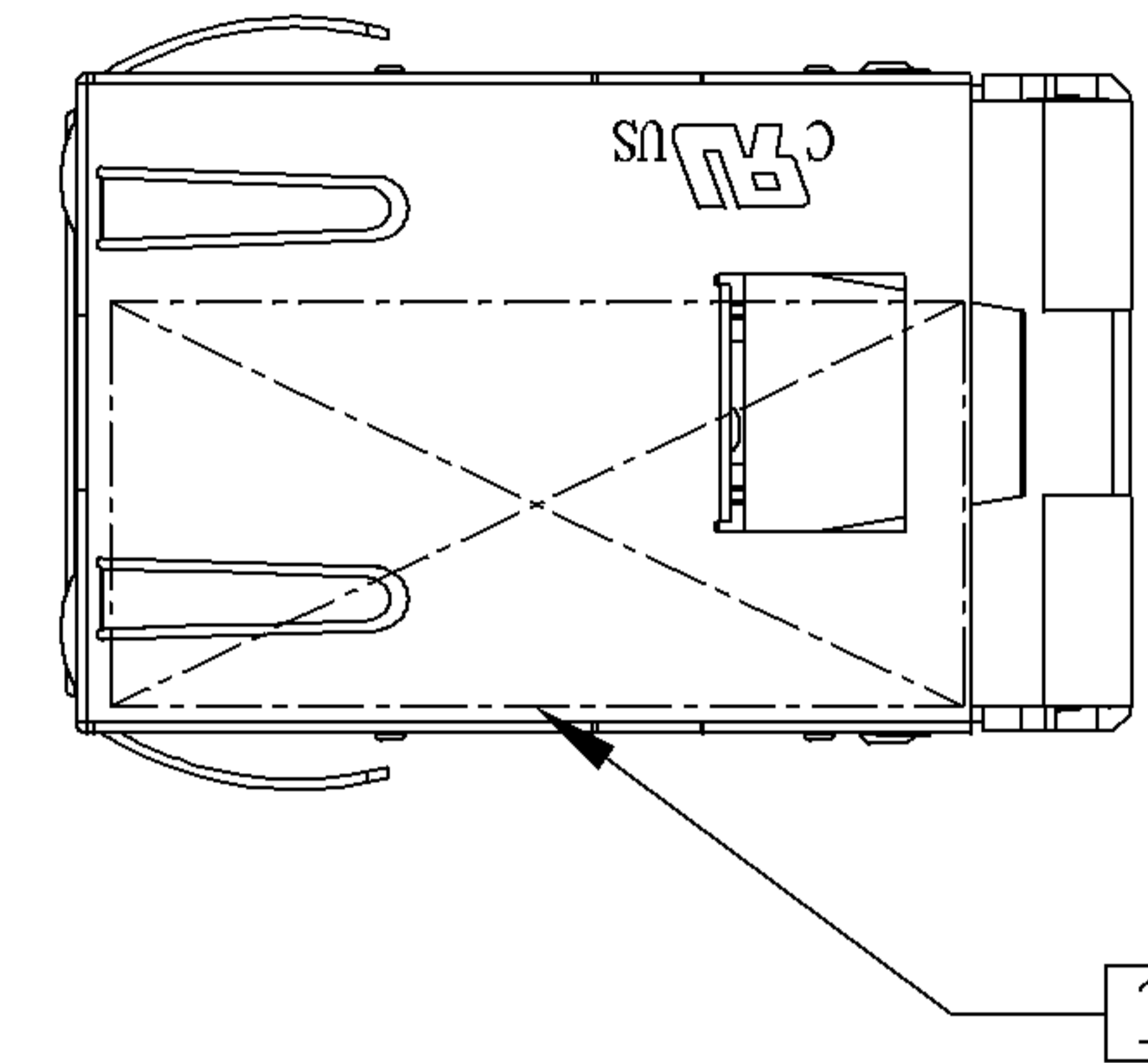
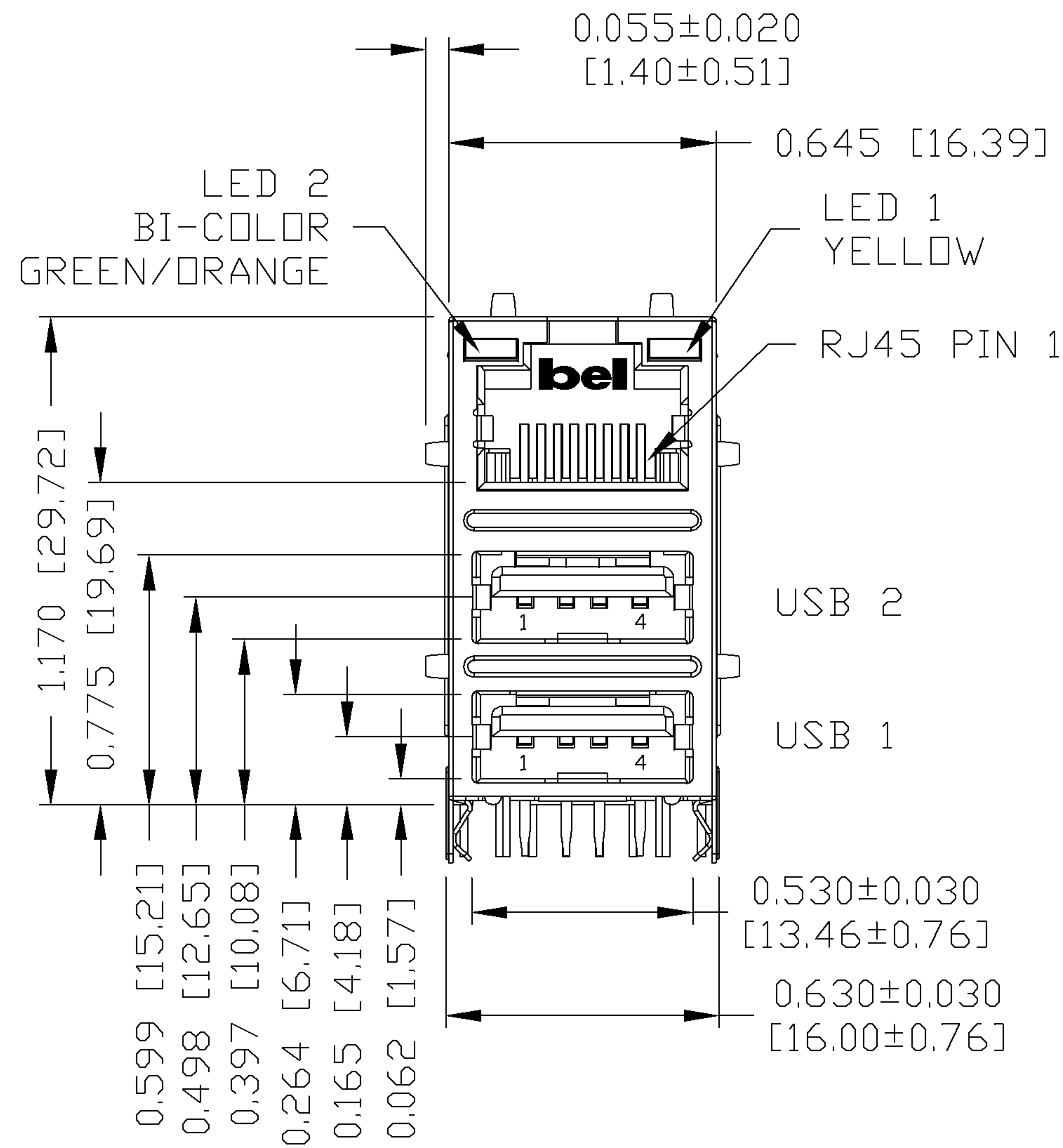


THE INFORMATION CONTAINED HEREIN IS CONSIDERED "PROPRIETARY" TO BEL FUSE INC. AND SHALL NOT BE COPIED, REPRODUCED OR DISCLOSED WITHOUT THE WRITTEN APPROVAL OF BEL FUSE INC.

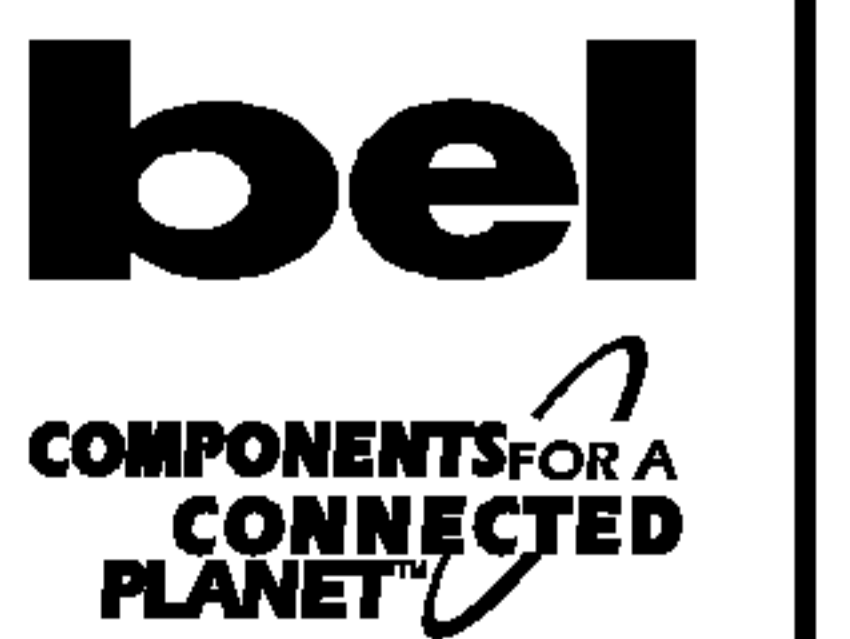
RoHS  
2002/95/EC



MECHANICAL SPECIFICATION



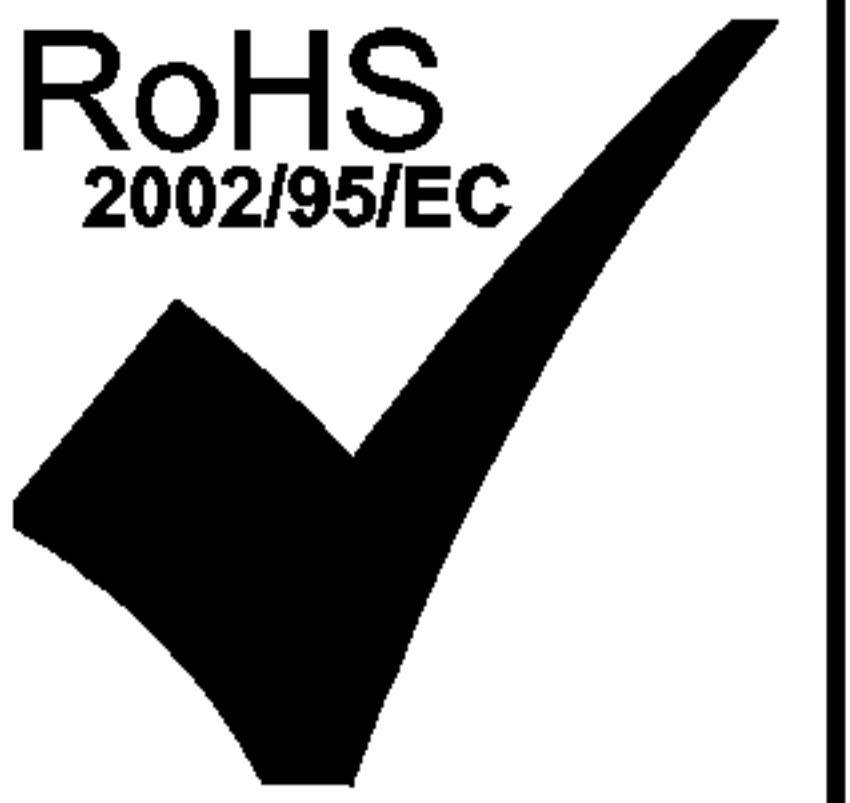
ORIGINATED BY	DATE	TITLE	PART NO. / DRAWING NO.	STANDARD DIM. TOL. IN INCH	[ ] METRIC DIM. AS REFERENCE
LIU QIN	12-26-07	MagJack® Combo (EXT. Temp., CM Termination)	08C2-1X1T-36	.X	UNIT : INCH [mm] REV. : B
DRAWN BY	DATE		FILE NAME	.XX	SCALE : N/A SIZE : A4
CHEN TING	12-26-07		08C2-1X1T-36_B.DWG	.XXX ±0.010	PAGE : 3



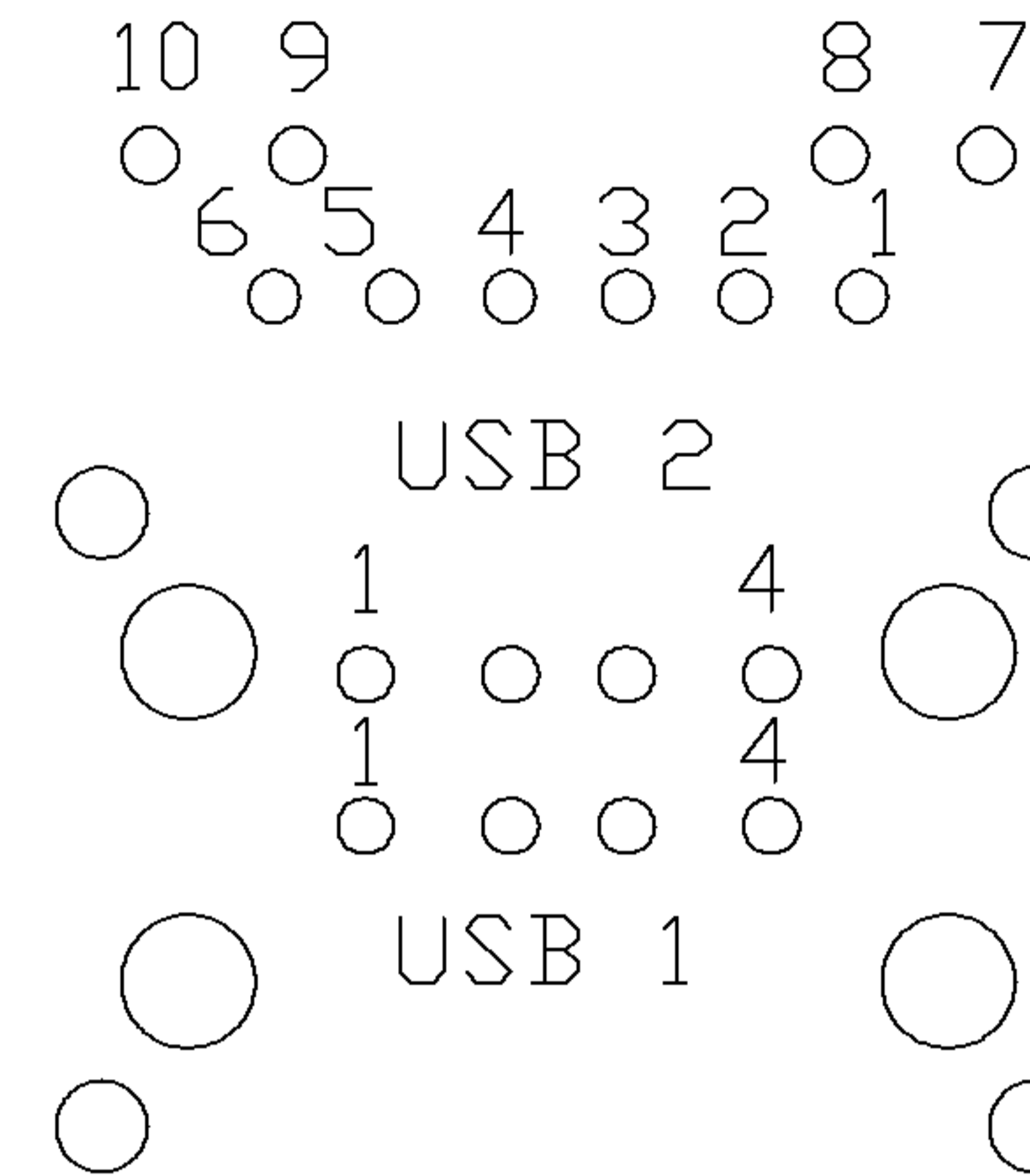
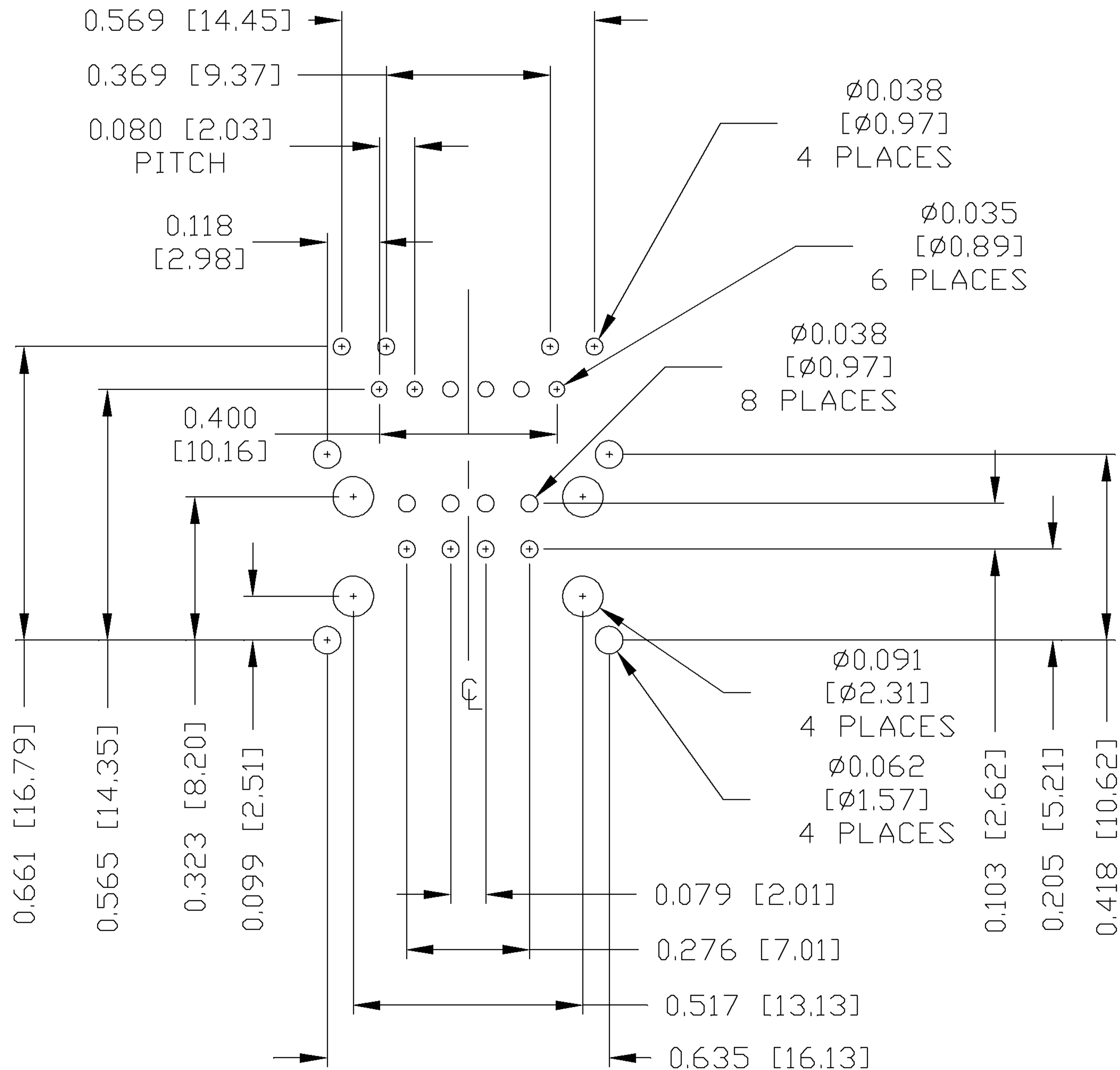


THE INFORMATION CONTAINED HEREIN IS CONSIDERED "PROPRIETARY" TO BEL FUSE INC. AND SHALL NOT BE COPIED, REPRODUCED OR DISCLOSED WITHOUT THE WRITTEN APPROVAL OF BEL FUSE INC.

RoHS  
2002/95/EC



Recommended PCB footprint  
Component Side



RJ45 MECHANICAL:  
PLASTIC HOUSING:  
CONTACT PLATING:  
PINS:  
METAL SHIELD:

THERMOPLASTIC PBT OR EQUIVALENT,  
FLAMMABILITY RATING UL 94V-0  
30 MICRO-INCH HARD GOLD PLATING  
TIN-COATED COPPER WIRE, DIA 0.018 INCH.  
NICKEL PLATED ON COPPER ALLOY.  
(ALL GROUND LEADS ARE SOLDER DIPPED)

USB MECHANICAL:  
MATING FORCE:  
UNMATING FORCE:  
CONTACT:

35 NEWTONS MAXIMUM  
10 NEWTONS MINIMUM  
PHOSPHOR BRONZE  
30 MICRO-INCH GOLD PLATING ON CONTACT  
AREA AND TIN ON SOLDER TAIL.

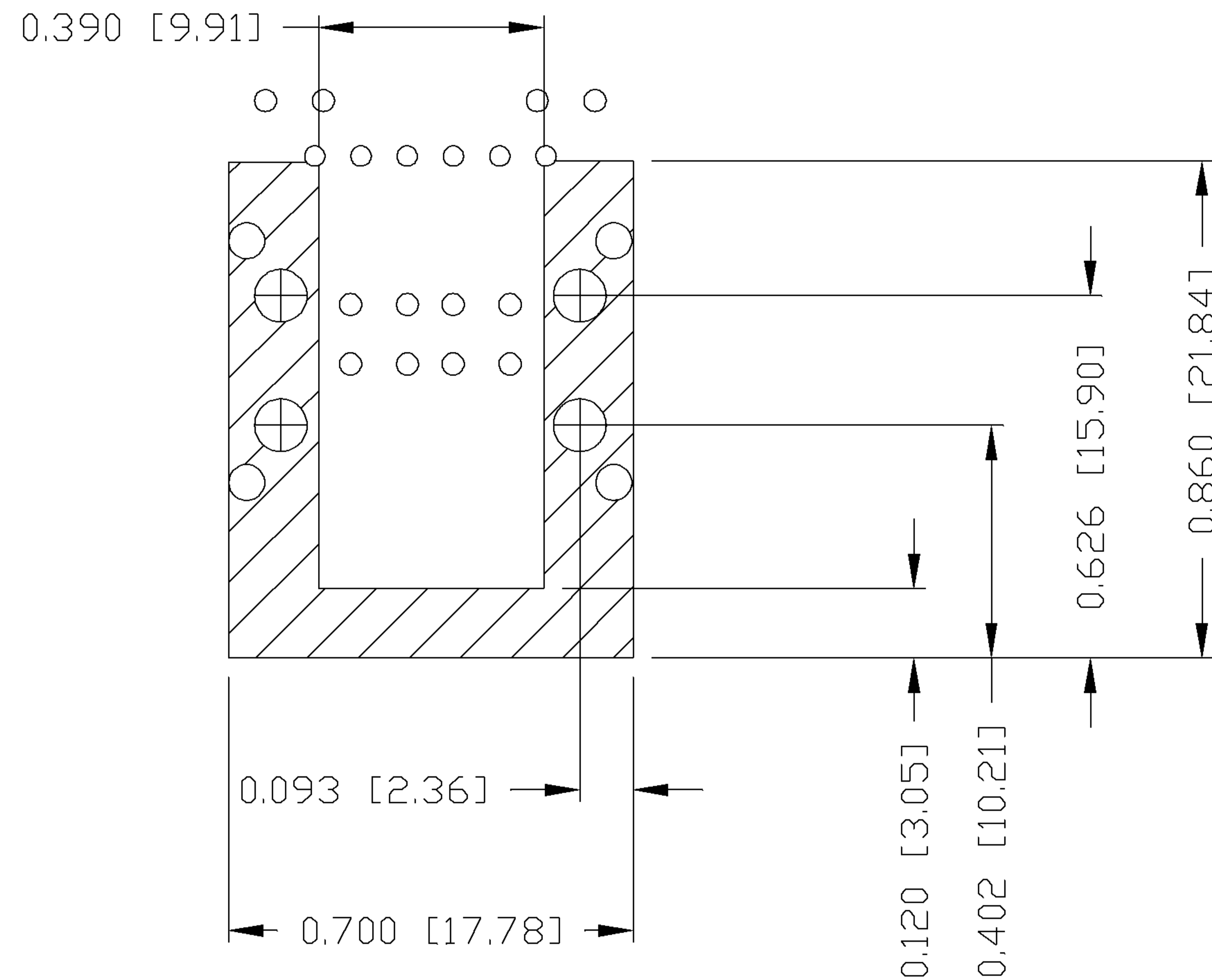
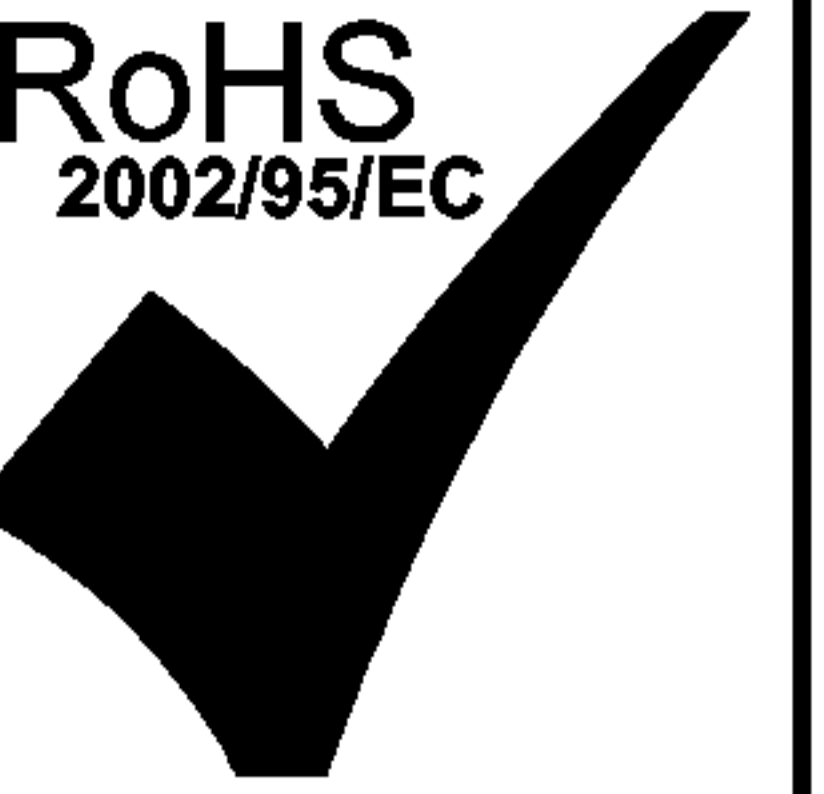
**UL** US UL RECOGNIZED - FILE #E196366 AND E169987.

1. MARK PART WITH MFG LOGO, MFG NAME, PART NUMBER, AND DATE CODE.
2. RoHS COMPLIANCE, PER EU DIRECTIVE 2002/95/EC.
3. JACK CAVITY CONFORMS TO FCC RULES AND REGULATIONS.

ORIGINATED BY	DATE	TITLE	PART NO. / DRAWING NO.	STANDARD DIM.	[ ] METRIC DIM. AS REFERENCE	
LIU QIN	12-26-07	MagJack® Combo (EXT. Temp., CM Termination)	08C2-1X1T-36	TOL. IN INCH	UNIT : INCH [mm]	REV. : B
DRAWN BY	DATE		FILE NAME	.X	SCALE : N/A	SIZE : A4
CHEN TING	12-26-07		08C2-1X1T-36_B.DWG	.XX	±0.004	PAGE : 4
				.XXX		

THE INFORMATION CONTAINED HEREIN IS CONSIDERED "PROPRIETARY" TO BEL FUSE INC. AND SHALL NOT BE COPIED, REPRODUCED OR DISCLOSED WITHOUT THE WRITTEN APPROVAL OF BEL FUSE INC.

RoHS  
2002/95/EC



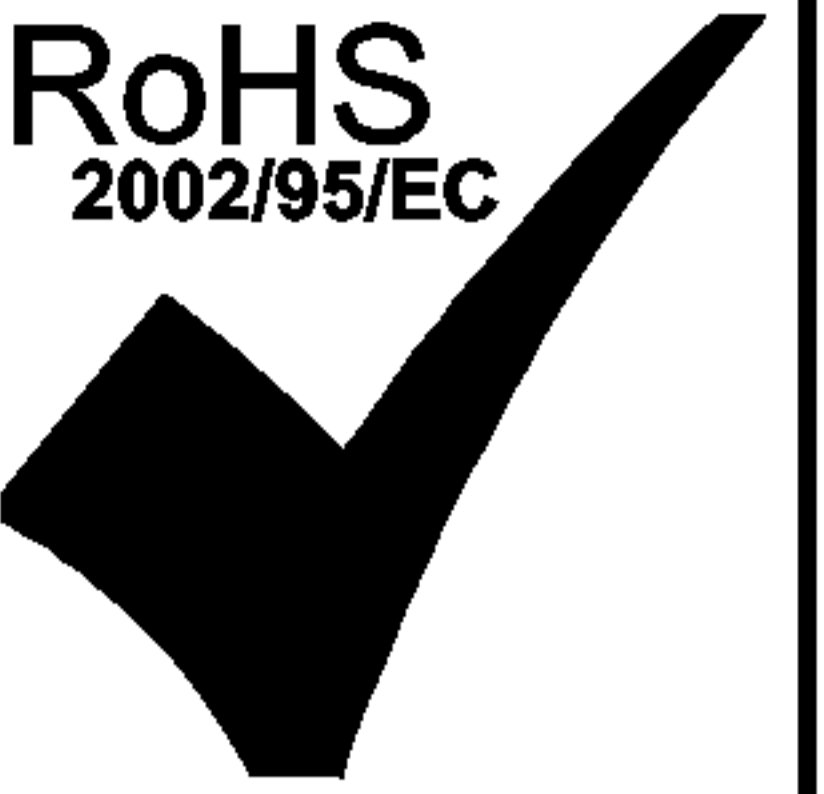
NOTES

THE SHADED AREA ON THE CUSTOMER BOARD ARE RECOMMENDED TO BE CLEAR OFF ANY VIA HOLE OR COMPONENT PAD.

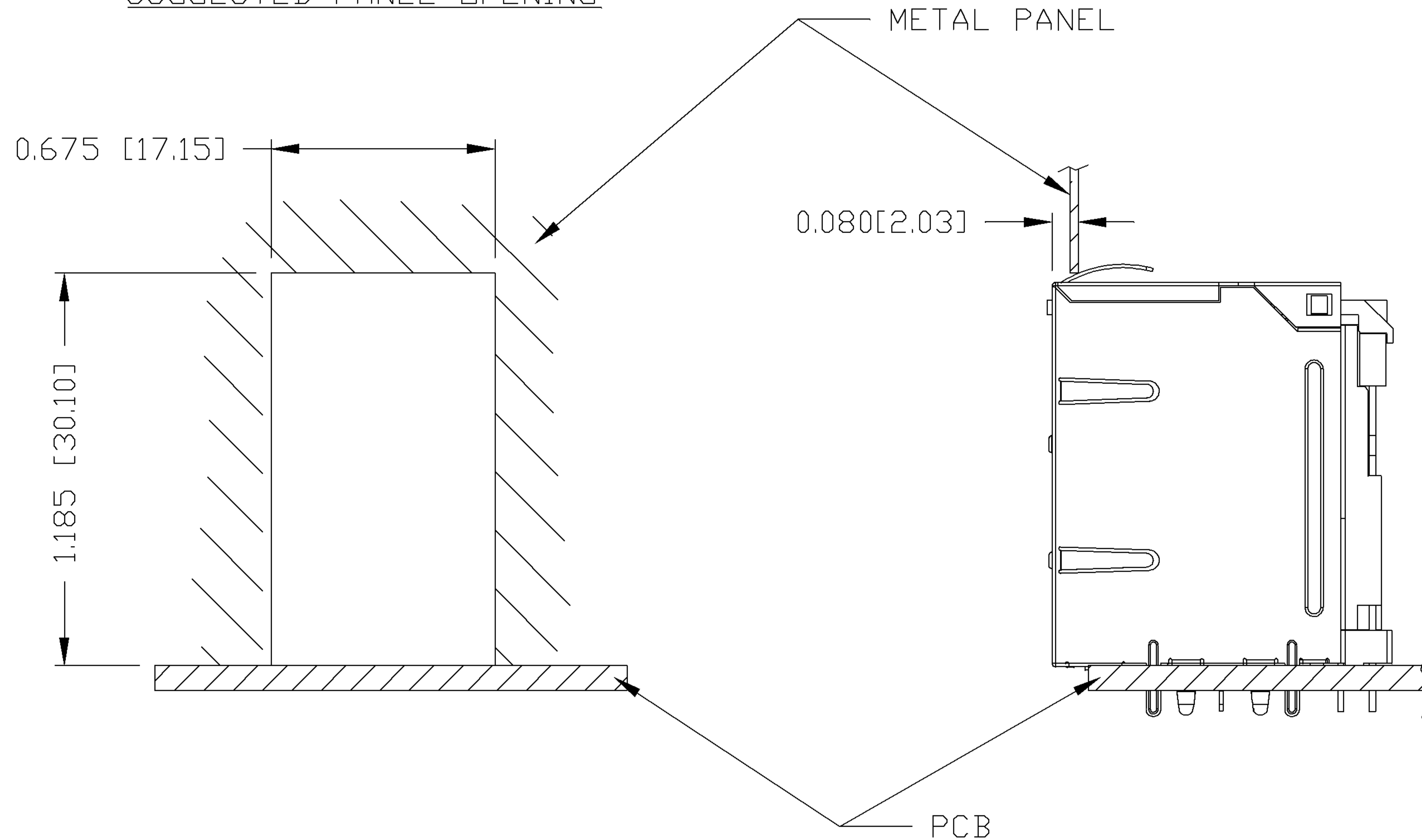
ORIGINATED BY LIU QIN	DATE 12-26-07	TITLE MagJack® Combo (EXT. Temp., CM Termination)	PART NO. / DRAWING NO. 08C2-1X1T-36	STANDARD DIM. TOL. IN INCH	[ ] METRIC DIM. AS REFERENCE		 COMPONENTS FOR A CONNECTED PLANET
DRAWN BY CHEN TING	DATE 12-26-07		FILE NAME 08C2-1X1T-36_B.DWG	.X		UNIT : INCH [mm]	
			.XX		SCALE : N/A	SIZE : A4	
			.XXX	±0.004		PAGE : 5	

THE INFORMATION CONTAINED HEREIN IS CONSIDERED "PROPRIETARY" TO BEL FUSE INC. AND SHALL NOT BE COPIED, REPRODUCED OR DISCLOSED WITHOUT THE WRITTEN APPROVAL OF BEL FUSE INC.

RoHS  
2002/95/EC



SUGGESTED PANEL OPENING



NOTE:

THE DISTANCE OF PANEL INSIDE SURFACE RELATIVE TO FRONT SURFACE OF PART IS ONLY A SUGGESTION. IN CASE THIS DISTANCE IS DIFFERENT, THE REQUIRED PANEL OPENING DIMENSIONS CHANGE ACCORDINGLY.

PACKING INFORMATION

PACKING TRAY : 0200-9999-A3

PACKING QUANTITY : 42 PCS FINISHED GOODS PER TRAY

10 TRAYS (420 PCS FINISHED GOODS) PER CARTON BOX

NOTE : CARDBOARDS ARE PLACED BETWEEN LAYERS OF PACKING TRAY INSIDE CARTON BOX  
(INCLUDE THE UPPERMOST AND LOWERMOST TRAY)

ORIGINATED BY	DATE	TITLE	PART NO. / DRAWING NO.	STANDARD DIM. TOL. IN INCH	[ ] METRIC DIM. AS REFERENCE
LIU QIN	12-26-07	MagJack® Combo (EXT. Temp., CM Termination)	08C2-1X1T-36	.X	UNIT : INCH [mm] REV. : B
DRAWN BY	DATE		FILE NAME	.XX	SCALE : N/A SIZE : A4
CHEN TING	12-26-07		08C2-1X1T-36_B.DWG	.XXX	±0.004

