

THE INFORMATION CONTAINED HEREIN IS CONSIDERED "PROPRIETARY" TO BEL FUSE INC. AND SHALL NOT BE COPIED, REPRODUCED OR DISCLOSED WITHOUT THE WRITTEN APPROVAL OF BEL FUSE INC.

RoHS  
2002/95/EC



LED 2 & 4 POLARITY			LED 1 & 3 POLARITY		
PIN 11	PIN 12	COLOR	PIN 13	PIN 14	COLOR
+	-	GREEN	+	-	GREEN

ELECTRICAL CHARACTERISTICS @ 25°C

URNS RATIO

TP1	1CT : 1CT ±2%
TP2	1CT : 1CT ±2%
TP3	1CT : 1CT ±2%
TP4	1CT : 1CT ±2%

CL @ 100kHz/100mVRMS

8mA DC BIAS 350mH MIN.

INS. LOSS

0.1MHz TO 1MHz	-1.1 dB MAX
1MHz TO 65MHz	-0.5 dB MAX
65MHz TO 100MHz	-0.8 dB MAX
100MHz TO 125MHz	-1.2 dB MAX

RET. LOSS (MIN)

0.5MHz-40MHz	-18 dB
40MHz-100MHz	-12+20LOG(f/80MHz) dB

CM TO CM REJ

100kHz - 100MHz -30 dB MIN

CM TO DM REJ

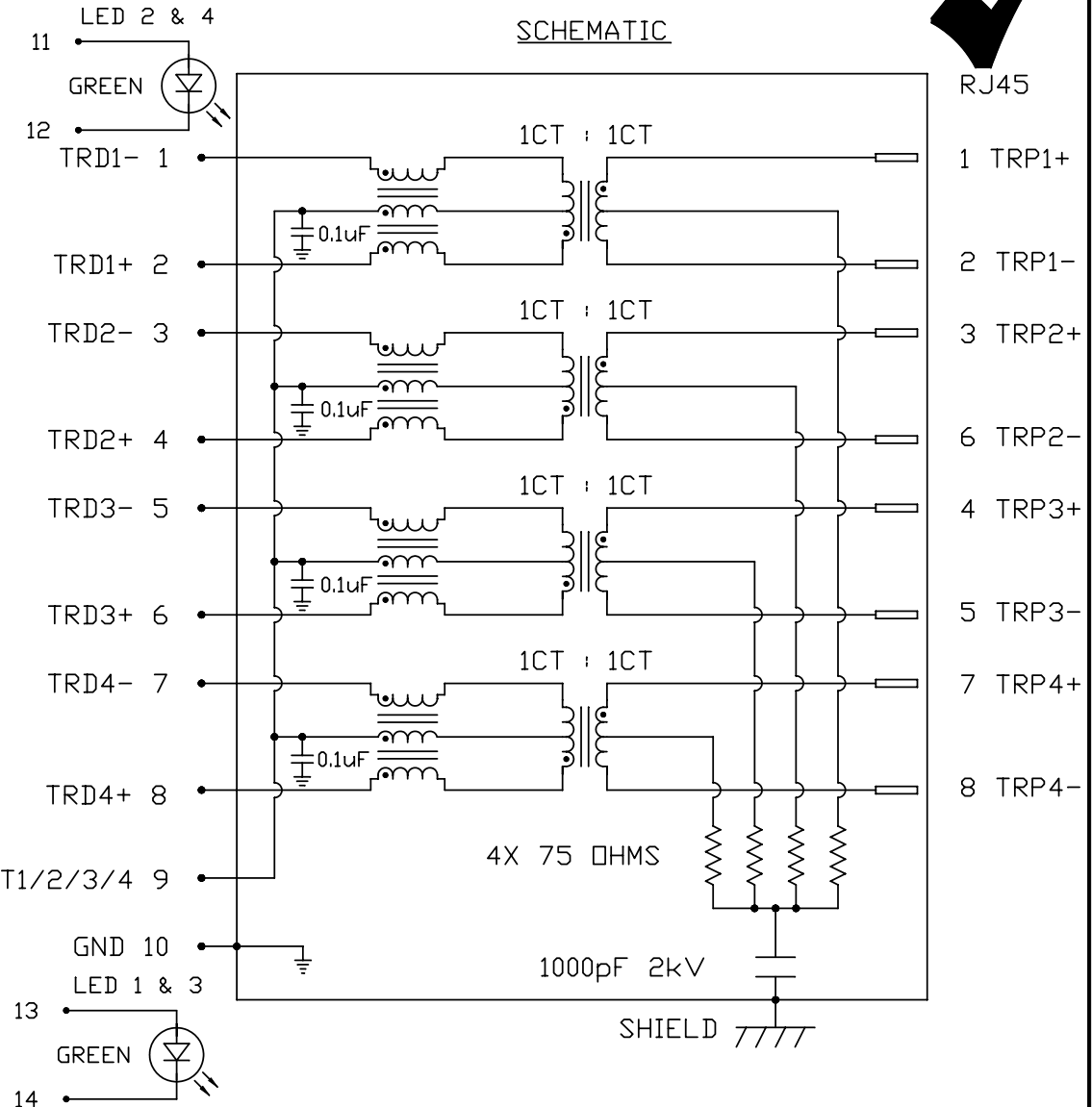
100kHz - 100MHz -35 dB MIN

HIPOT (Isolation Voltage):

1500 Vrms

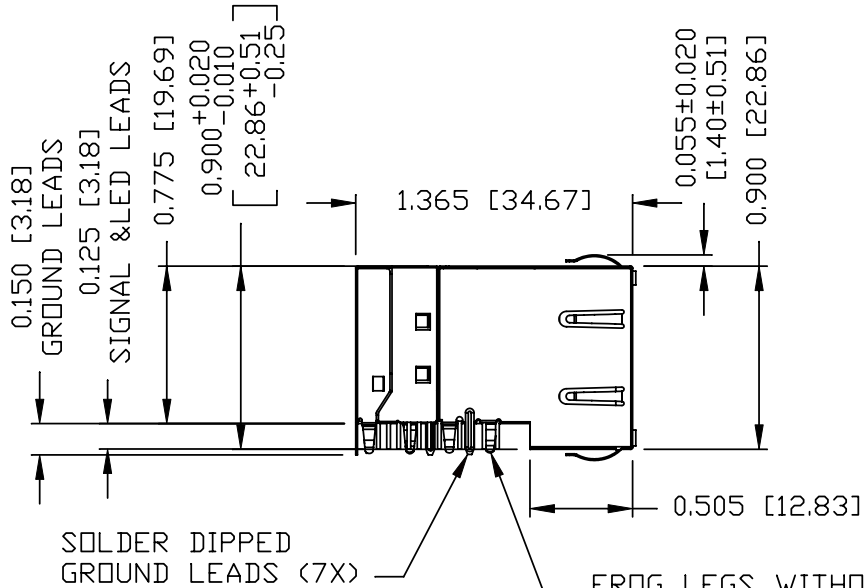
LED 1,LED 2,LED 3 & LED 4

VF (FORWARD VOLTAGE) IF=20mA GREEN 2.2V TYP.  
λD (DOMINANT WAVELENGTH) IF=20mA GREEN 565nm TYP.



ORIGINATED BY	DATE	TITLE	PART NO. / DRAWING NO.	STANDARD DIM. TOL. IN INCH	[ ] METRIC DIM. AS REFERENCE	 COMPONENTS FOR A CONNECTED PLANET
CHOW WANCHUNG	01-12-09	2X6 gigabit MagJack®	C850-2G6R-54	.X	UNIT : INCH [mm]	
DRAWN BY	DATE	COMPRESSOR SERIES	FILE NAME	.XX	SCALE : N/A	
LEE WEIDE	01-12-09	(8 Cores)	C850-2G6R-54_B.DWG	.XXX	SIZE : A4	
						REV. : B
						SIZE : A4
						PAGE : 2

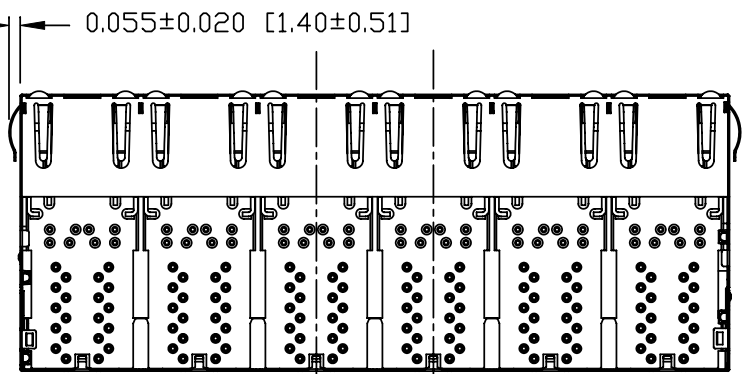
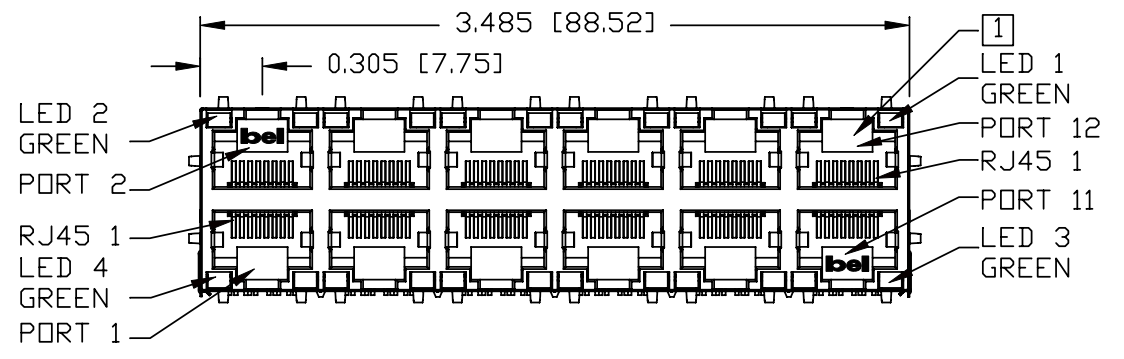
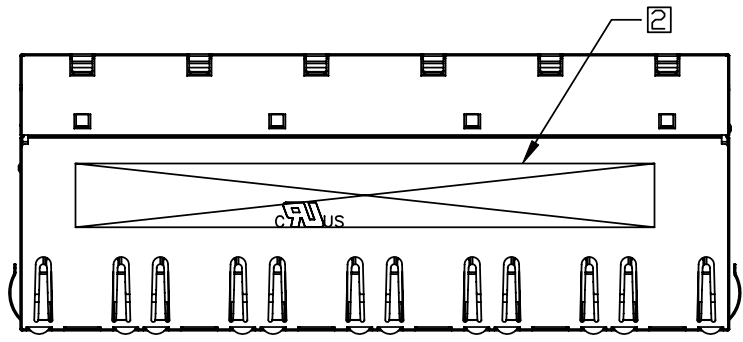
THE INFORMATION CONTAINED HEREIN IS CONSIDERED "PROPRIETARY" TO BEL FUSE INC. AND SHALL NOT BE COPIED, REPRODUCED OR DISCLOSED WITHOUT THE WRITTEN APPROVAL OF BEL FUSE INC.



**NOTES:**  
 PLASTIC HOUSING: THERMOPLASTIC PBT  
 FLAMMABILITY RATING UL 94V-0  
 CONTACT PLATING: 30 MICRO-INCH HARD GOLD PLATING  
 OUTPUT PINS: TIN-COATED COPPER WIRE, DIA 0.018 INCH.  
 METAL SHIELD: NICKEL PLATED ON COPPER ALLOY.  
 (ALL GROUND LEADS ARE SOLDER DIPPED)  
 FROG LEGS ARE FOR PCB RETENTION FORCE ONLY AND NOT FOR GROUNDING PURPOSE

- 1. JACK CAVITY CONFORMS TO FCC RULES AND REGULATIONS, PART 68 SUBPART F.
- 2. MARK PART WITH MFG LOGO, MFG NAME, PART NUMBER, AND DATE CODE.

usUL RECOGNIZED - FILE #E196366 AND E169987.  
 RoHS COMPLIANCE, PER EU DIRECTIVE 2002/95/EC.

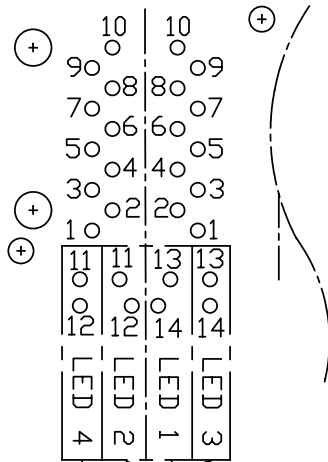
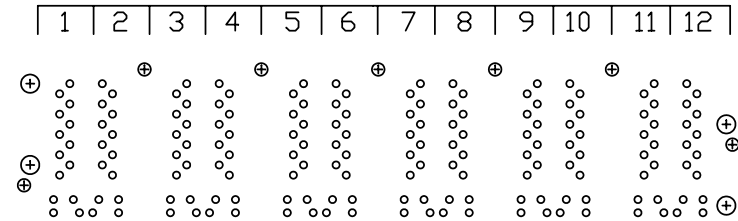


ORIGINATED BY HOWFAR WEI	DATE 01-12-09	TITLE 2X6 gigabit MagJack® COMPRESSOR SERIES (8 Cores)	PART NO. / DRAWING NO. C850-2G6R-54	STANDARD DIM. TOL. IN INCH		[ ] METRIC DIM. AS REFERENCE		
				.X		UNIT : INCH [mm]	REV. : B	
DRAWN BY JOLLY LUD	DATE 01-12-09		FILE NAME C850-2G6R-54_B.DWG	.XX		SCALE : N/A	SIZE : A4	COMPONENTS FOR A CONNECTED PLANET
				.XXX	±0.010		PAGE : 3	

THE INFORMATION CONTAINED HEREIN IS CONSIDERED "PROPRIETARY" TO BEL FUSE INC. AND SHALL NOT BE COPIED, REPRODUCED OR DISCLOSED WITHOUT THE WRITTEN APPROVAL OF BEL FUSE INC.



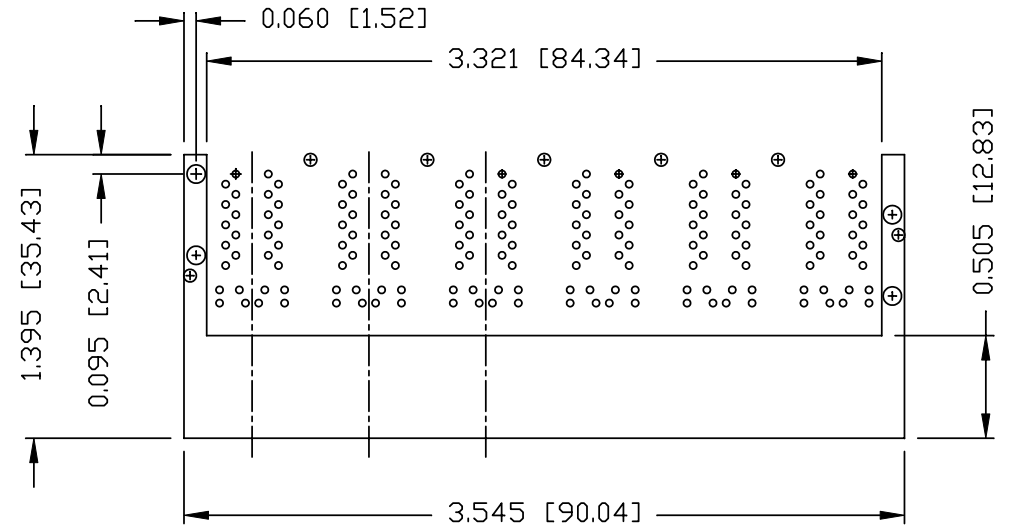
PORT ASSIGNMENT  
(COMPONENT SIDE VIEW)



LED FOR LOWER DECK      LED FOR UPPER DECK

PIN-OUT INFORMATION  
(COMPONENT SIDE VIEW)

10	GND		
9	TRDCT1/2/3/4		
8	TRD 4+		
7	TRD 4-		
6	TRD 3+		
5	TRD 3-		
4	TRD 2+	14	GREEN (-)
3	TRD 2-	13	GREEN (+)
2	TRD 1+	12	GREEN (-)
1	TRD 1-	11	GREEN (+)



ORIGINATED BY	DATE	TITLE
HOWFAR WEI	01-12-09	
DRAWN BY	DATE	PART NO. / DRAWING NO.
JOLLY LUD	01-12-09	

2X6 gigabit MagJack®  
COMPRESSOR SERIES  
(8 Cores)

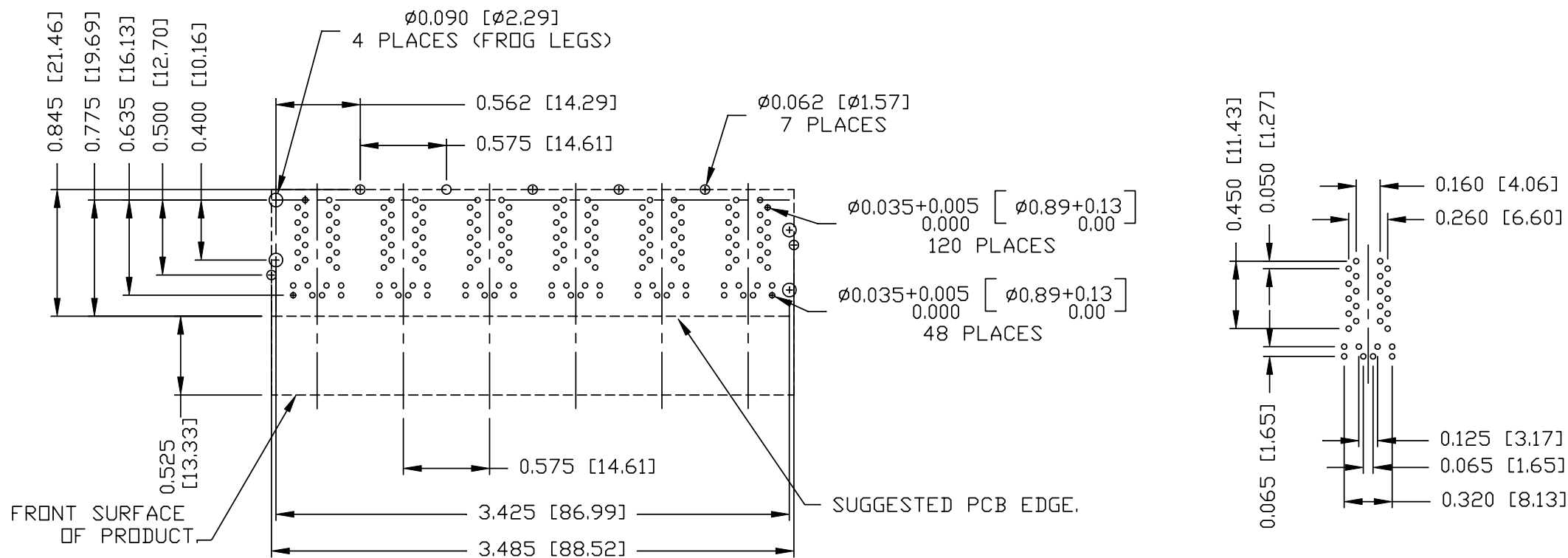
C850-2G6R-54	STANDARD DIM. TOL. IN INCH
FILE NAME	.X
C850-2G6R-54_B.DWG	.XX
	.XXX ±0.004

[ ] METRIC DIM. AS REFERENCE	
UNIT : INCH [mm]	REV. : B
SCALE : N/A	SIZE : A4
	PAGE : 4



THE INFORMATION CONTAINED HEREIN IS CONSIDERED "PROPRIETARY" TO BEL FUSE INC. AND SHALL NOT BE COPIED, REPRODUCED OR DISCLOSED WITHOUT THE WRITTEN APPROVAL OF BEL FUSE INC.

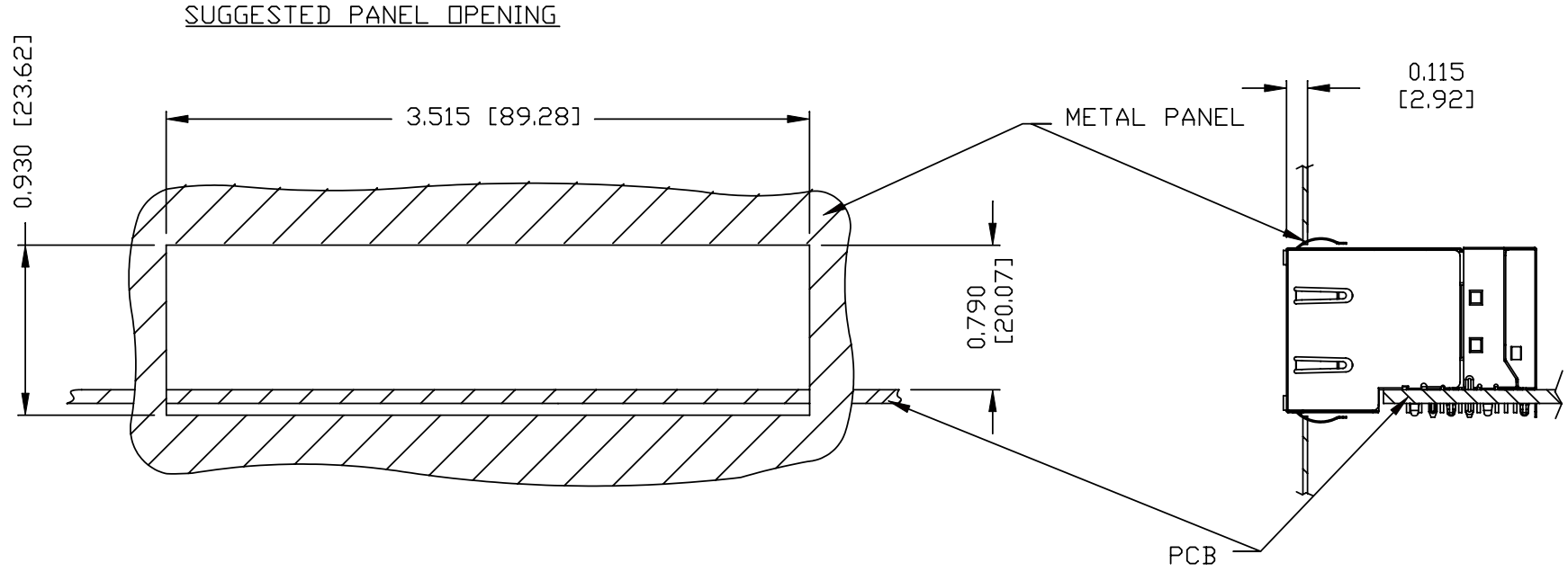
RoHS  
2002/95/EC



(COMPONENT SIDE VIEW)

ORIGINATED BY HOWFAR WEI	DATE 01-12-09	TITLE 2X6 gigabit MagJack® COMPRESSOR SERIES (8 Cores)	PART NO. / DRAWING NO. C850-2G6R-54		STANDARD DIM. TOL. IN INCH		[ ] METRIC DIM. AS REFERENCE		 COMPONENTS FOR A CONNECTED PLANET
			FILE NAME C850-2G6R-54_B.DWG		.X		UNIT : INCH [mm]	REV. : B	
DRAWN BY JOLLY LUO	DATE 01-12-09				.XX		SCALE : N/A	SIZE : A4	PAGE : 5
					.XXX	±0.004			

THE INFORMATION CONTAINED HEREIN IS CONSIDERED "PROPRIETARY" TO BEL FUSE INC. AND SHALL NOT BE COPIED, REPRODUCED OR DISCLOSED WITHOUT THE WRITTEN APPROVAL OF BEL FUSE INC.



**NOTE:**

THE DISTANCE OF PANEL INSIDE SURFACE RELATIVE TO FRONT SURFACE OF PART IS ONLY A SUGGESTION. IN CASE THIS DISTANCE IS DIFFERENT, THE REQUIRED PANEL OPENING DIMENSIONS CHANGE ACCORDINGLY.

PACKING INFORMATION

PACKING TRAY : 0200-9999-H1 (TOP)  
 0200-9999-H2 (BOTTOM)

PACKING QUANTITY : 18 PCS FINISHED GOODS PER TRAY.  
 6 TRAYS (108 PCS FINISHED GOODS) PER CARTON BOX.

NOTE : CARDBOARDS ARE PLACED BETWEEN LAYERS OF PACKING TRAY INSIDE CARTON BOX.  
 (INCLUDE THE UPPERMOST AND LOWERMOST TRAY)

ORIGINATED BY HOWFAR WEI	DATE 01-12-09	TITLE 2X6 gigabit MagJack® COMPRESSOR SERIES (8 Cores)	PART NO. / DRAWING NO. C850-2G6R-54	STANDARD DIM. TOL. IN INCH		[ ] METRIC DIM. AS REFERENCE		 COMPONENTS FOR A CONNECTED PLANET
				.X		UNIT : INCH [mm]	REV. : B	
DRAWN BY JOLLY LUD	DATE 01-12-09		FILE NAME C850-2G6R-54_B.DWG	.XX		SCALE : N/A	SIZE : A4	PAGE : 6
				.XXX	±0.004			