

- Features:
- Good anti-surge capability
  - Wirewound on ceramic element
  - RoHS compliant / lead-free
  - RWT 5 meets Akaneohm UL file no. E255350

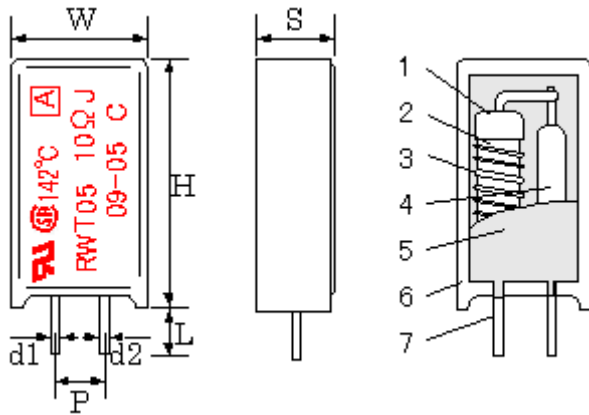


Electrical Specifications						
Type / Code	Element Power Rating (Watts) @ 70°C	Element + Fuse Power Rating (Watts) @ 70°C	Rated Functioning Temperature	Fusing Current	Resistance Temperature Coefficient	Ohmic Range (Ω) and Tolerance
						5%
RWT2	2 W	1.5 W	142°C	2A	±200 ppm/°C	1 - 100
RWT5	5 W	1.6 W	142°C	2A	±200 ppm/°C	1 - 100
RWT7	7 W	2 W	142°C	2A	±200 ppm/°C	1 - 470

Performance Specifications		
Test	Test Method	Test Results
Short Time Overload	Apply DV voltage of 2.5 times the rated voltage for 5 sec.	±2%
Load Life	Apply rated DC voltage for 1.5 hr. ON and 0.5 hr. OFF. Total time of 1000 hrs.	±3%
Humidity Test (no load)	Temperature of 40°C. Humidity of 90-95% RH. Total time of 1000 hrs.	±2%
Humidity Test (rated load)	Temperature of 40°C. Humidity of 90-95% RH. Apply 1/10 rated power for 1.5 hr. ON and 0.5 hr. OFF. Total time of 1000 hrs.	±2%
Resistance to Soldering Heat	Dip lead into solder bath at temperature of 260°C x 10°C up to 1.5mm from the body of the resistor. Leave in solder bath for 10 secs. Test after 24 hrs. in room temperature	±1%
Solderability	> 95% coverage	
Insulation Resistance	R < 1GΩ	

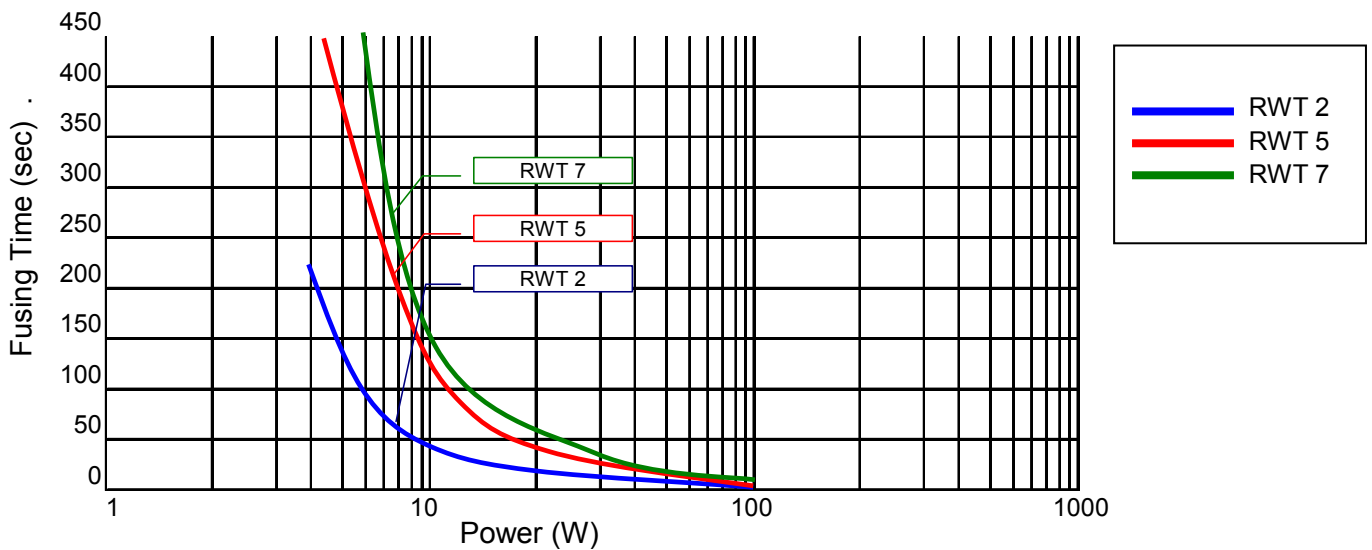
Operating Temperature Range : -25°C to +100°C

Mechanical Specifications								
Type / Code	W	H	S	L	P	d1	d2	Unit
RWT 2	0.433 ± 0.02 11.0 ± 0.5	0.807 ± 0.06 20.5 ± 1.5	0.276 ± 0.04 7.0 ± 1.0	0.197 ± 0.02 5.0 ± 0.5	0.197 ± 0.04 5.0 ± 1.0	0.024 ± 0.002 0.6 ± 0.05	0.032 ± 0.002 0.8 ± 0.05	inches mm
RWT 5	0.512 ± 0.04 13.0 ± 1.0	0.984 ± 0.06 25.0 ± 1.5	0.374 ± 0.04 9.5 ± 1.0	0.197 ± 0.02 5.0 ± 0.5	0.197 ± 0.04 5.0 ± 1.0	0.024 ± 0.002 0.6 ± 0.05	0.032 ± 0.002 0.8 ± 0.05	inches mm
RWT 7	0.512 ± 0.04 13.0 ± 1.0	1.535 ± 0.06 39.0 ± 1.5	0.374 ± 0.04 9.5 ± 1.0	0.197 ± 0.02 5.0 ± 0.5	0.197 ± 0.04 5.0 ± 1.0	0.024 ± 0.002 0.6 ± 0.05	0.032 ± 0.002 0.8 ± 0.05	inches mm

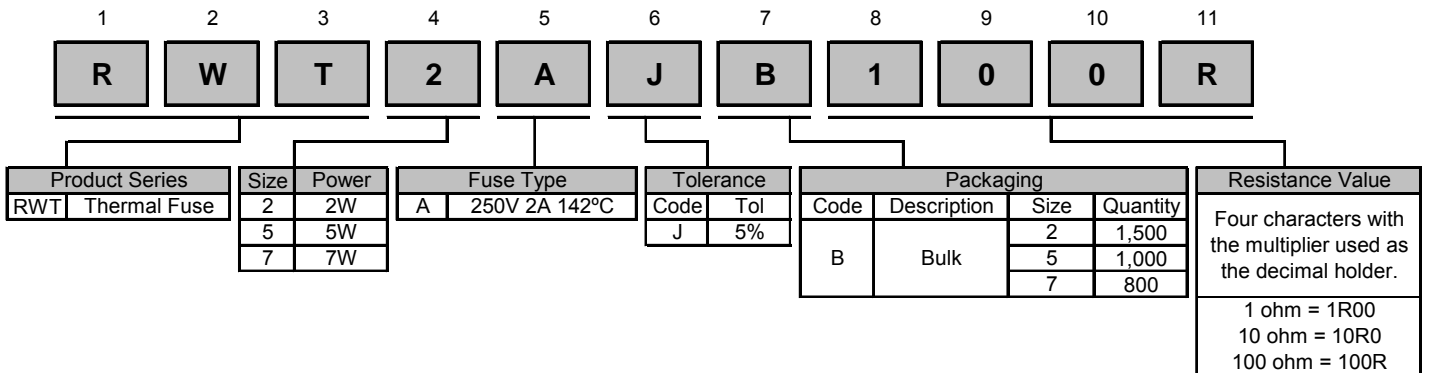


No.	Part Name
1	Cap
2	Element core
3	Resistive Wire
4	Thermal fuse
5	Enclosed cement
6	Ceramic case
7	Lead wire

**Fusing Characteristics:**



**How to Order**



Legacy Part Number (before January 3, 2011):

