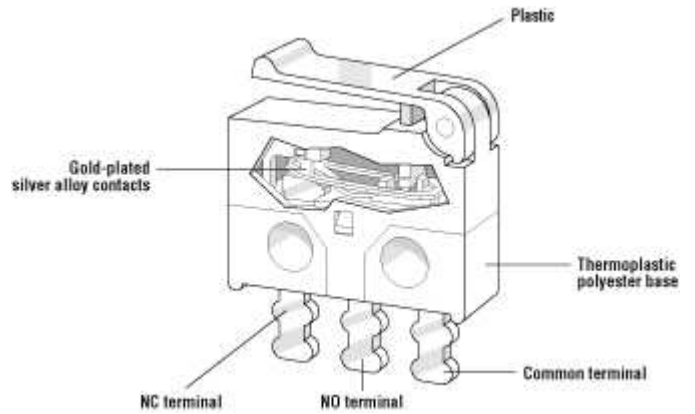


Subminiature Snap Action Switch

DH Series



Features

- Ultraminiature dimensions, just 0.323" x 0.106" x 0.244" (8.2mm x 2.7mm x 6.2mm)
- Specifically designed for low switching currents and voltages
- Can be mounted to circuit boards in upright position or horizontally with terminals bent left or right
- Available with or without auxiliary actuator
- RoHS compliant

Electrical Ratings and Operating Life

Switch Series	Nominal Load	Mechanical Life (min)	Electrical Life (min)
	DH2	5-500 mA @ 30VDC	50,000

Technical Specifications

Temperature Rating:	-25°C to 70°C
Degree of Protection:	IP40
Contact Gap	< 3mm (μ)
Contact Configuration:	SPDT

Material Specifications

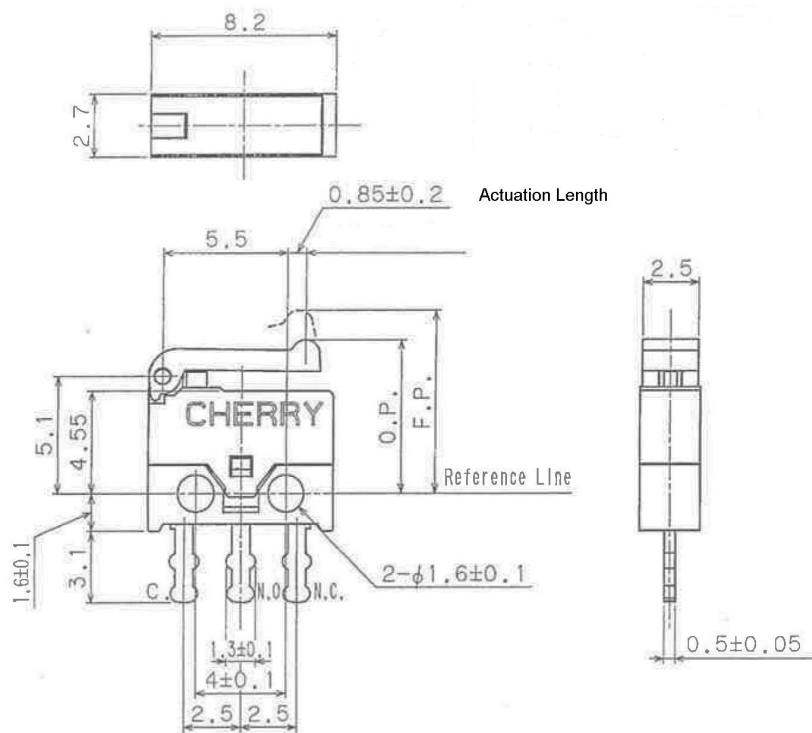
Base:	PPHS UL94V-0
Cover:	PBTP UL94V-0
Actuator button:	PBTP UL94V-0
Contacts:	Gold Flash Silver Alloy
Terminals:	Brass – Silver Plated
Auxiliary actuator:	PBTP UL94V-0

Specifications subject to change

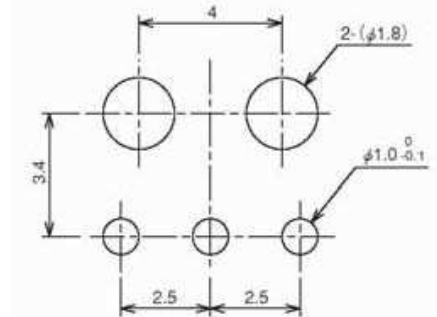
Subminiature Snap Action Switch

DH Series

Dimensions (mm)

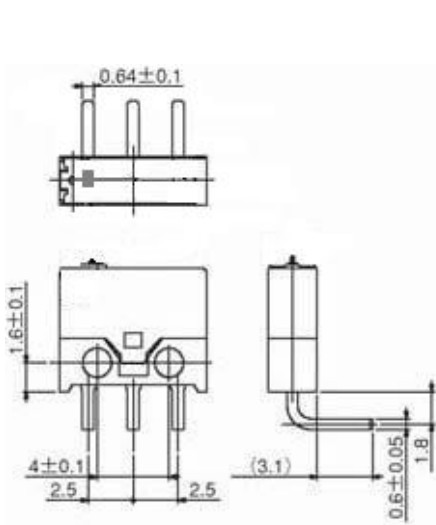


PCB Layout (mm)

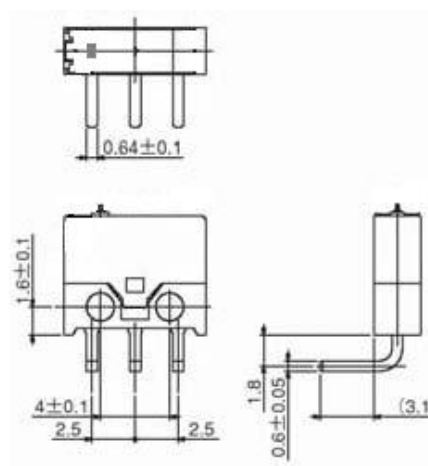


Tolerance +/- 0.05 unless otherwise stated

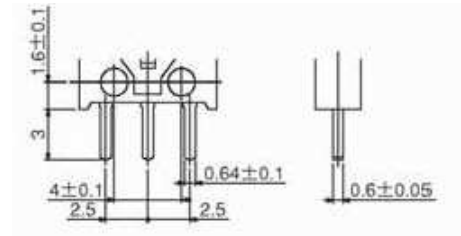
Terminal Options (mm)



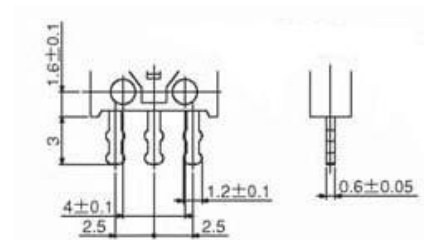
Right Hand PCB Terminals



Left Hand PCB Terminals



PCB Straight



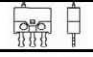
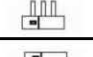
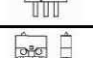
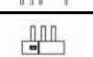
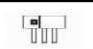

Solder Straight

Commonly Stocked Distributor Items / Preferred Part Numbers

Part Number	Lever Type	Maximum Operate Force (gms)	Maximum Pre-Travel inches (mm)	Operate Point inches (mm)	Minimum Overtravel inches (mm)	Max. Movement Differential inches (mm)	Max. Rest Position inches (mm)	Actuation Length inches (mm)
DH2CB1AA	N/A	90	.014 (0.35)	.220 +/- .006 (5.6 +/- 0.15)	.004 (0.1)	.003 (0.07)	.282 (7.17)	N/A
DH2CB1PA	Simulated Roller	50	.051 (1.3)	.264 +/- .020 (6.7 +/- 0.5)	.012 (0.3)	.024 (0.6)	.335 (8.5)	.033 (0.85)

Ordering Information

DH	2	C
Series		
		Code
		Contact Configuration
		C
		SPDT
Code	Contact Rating	
2	5-500 mA @ 30VDC	

B1		
Code	Terminal Type	
B1	Solder Straight	
B2	Solder RH Side	
B3	Solder LH Side	
C4	PCB Straight	
C5	PCB RH Side	
C6	PCB LH Side	

AA	
Code	Actuator Type
AA	Button only
PA	Simulated Roller

Contact

Call, fax or visit our Website for more information.

ZF Electronics Corporation
11200 88th Avenue
Pleasant Prairie, WI 53158

Phone: 262.942.6500
Web: www.cherrycorp.com
Email: cep_sales@zf.com
Fax: 262.942.6566

The manufacturer accepts no liability for errors or non-availability, and reserves the right to change specifications without prior notice.

Technical data relates to product specifications only. Features may differ from those described. Only drawings combined with product specifications shall be deemed binding.

© 2007 ZF Electronics Corporation

Last Updated: 09/16/11

