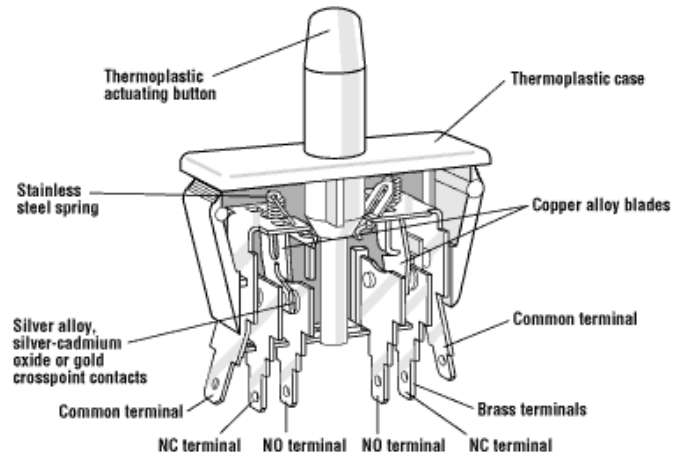


PANEL MOUNT PUSHBUTTON – DOUBLE POLE

E75-E79 Series



Features

- Choice of Momentary, Push-Pull (reset) and Cheat Interlock
- Long life coil spring, snap action mechanism
- Agency approved extended life versions available
- Snap in mounting
- VDE available on select models
- RoHS Compliant

Electrical Ratings and Operating Life				
Switch Series	According to EN61058-1		According to UL1054	
	Nominal Load	Operation cycles	Nominal Load	Operation cycles
E75	N/A	N/A	16A, 125/250VAC; 1/3HP; 125/250VAC	6,000 *
E77 F77	N/A 0.1(0.05)A, 125VAC; 10(4)A, 250VAC	N/A 50,000	0.1A 125vac; 10A 1/3HP, 125/250vac	6,000 *
E78 F78	N/A 0.1(0.05)A, 125VAC	N/A 50,000	0.1A, 125VAC	6,000 *
E79 F79	N/A 10(4)A, 250VAC	N/A 50,000	10A, 125/250VAC; 1/3HP, 125/250VAC	6,000 *

* Extended life UL versions available. Contact factory for more information. Special part number required.

Technical Specifications		Material Specifications	
Temperature Rating:	-40°C to 85°C	Case:	Thermoplastic Polyester
Flammability Rating	UL94V-0	Actuator button:	Thermoplastic Acetal
Terminals	Up to 10A: 0.187" x 0.020" 16A: 0.250" x 0.032"	Terminals:	Brass (Common Ag plated)
	VDE versions: 0.0187" x 0.032"	Moving Blade:	Beryllium Copper
UL File Number:	E23301	Spring:	Stainless Steel
		Contacts:	Silver-CdO: E75, E/F79 Gold Crosspoint: E/F78

Specifications subject to change

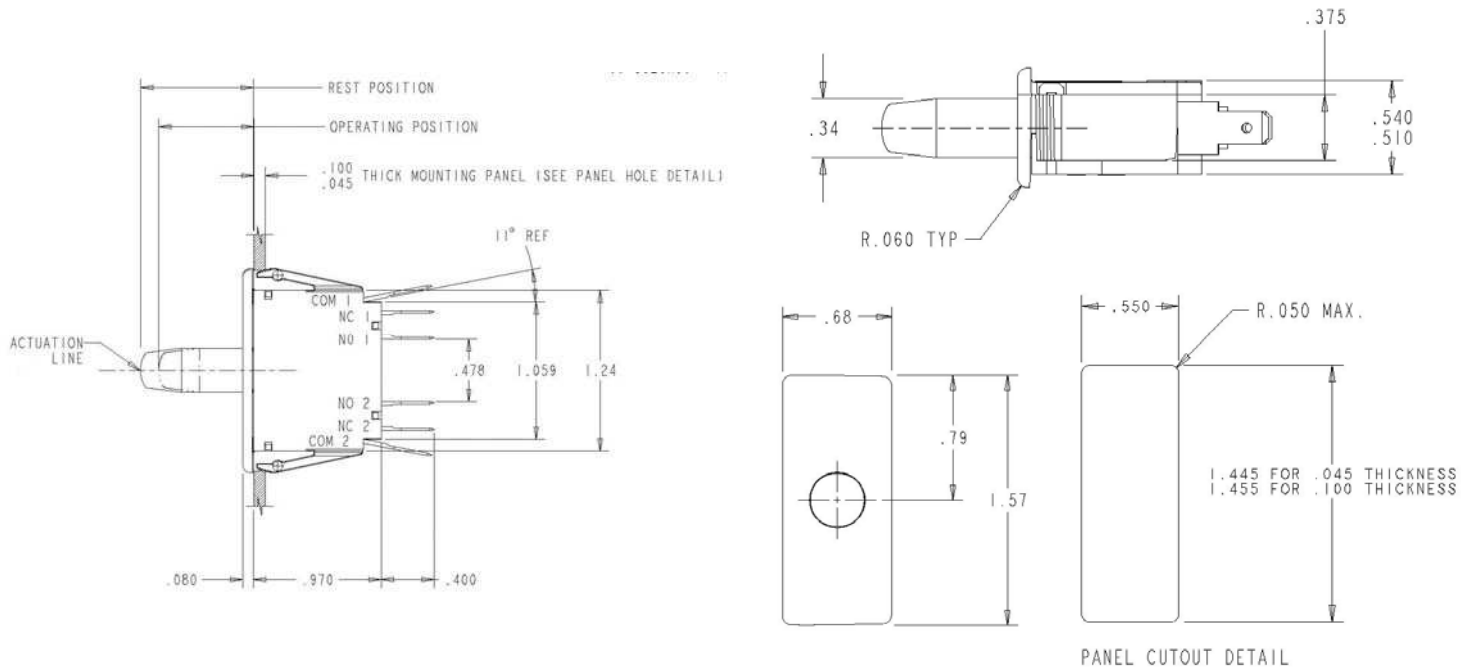
Optional



PANELMOUNT PUSHBUTTON – DOUBLE POLE

E75-E79 Series

Dimensions - inches



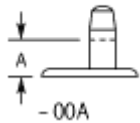
Commonly Stocked Distributor Items / Preferred Part Numbers

Item Number	EN Rating	UL Rating	Button Style	Rest Position inches (mm)	Maximum Pretravel inches (mm)	Operating Point inches (mm)	Minimum Overtravel inches (mm)	Max. Movement Differential inches (mm)	Maximum Operating Force (grams)	Maximum Full Overtravel inches (mm)
0E7800A0	N/A	0.1A, 125VAC	Momentary	0.845 - 0.905 (21.46 - 22.99)	0.125 (3.18)	0.720 - 0.820 (18.29 - 20.83)	0.375 (9.53)	0.075 (1.91)	680	0.400 (10.16)
0E7830A0	N/A	0.1A, 125VAC	Momentary	0.730 - 0.790 (18.54 - 20.07)	0.125 (3.18)	0.610 - 0.710 (15.49 - 16.03)	0.100 (2.54)	0.075 (1.91)	757	0.520 (13.21)
			Cheat	0.730 - 0.790 (18.54 - 20.07)	0.155 (3.94)	0.800 - 0.900 (20.32 - 22.86)	0.030 (0.76)	0.090 (2.29)	800	0.980 (24.89)
0E7840A0	N/A	0.1A, 125VAC	Momentary	0.420 - 0.480 (10.67 - 12.19)	0.125 (3.18)	0.300 - 0.400 (7.62 - 10.16)	0.175 (4.45)	0.075 (1.91)	680	0.125 (3.18)
0E7900A0	N/A	10A, 125/250VAC; 1/3HP 125/250VAC	Momentary	0.845 - 0.905 (21.46 - 22.99)	0.125 (3.18)	0.720 - 0.820 (18.29 - 20.83)	0.375 (9.53)	0.075 (1.91)	680	0.400 (10.16)
0E7930A0	N/A	10A, 125/250VAC; 1/3HP 125/250VAC	Momentary	0.730 - 0.790 (18.54 - 20.07)	0.125 (3.18)	0.610 - 0.710 (15.49 - 16.03)	0.100 (2.54)	0.075 (1.91)	757	0.520 (13.21)
			Cheat	0.730 - 0.790 (18.54 - 20.07)	0.155 (3.94)	0.800 - 0.900 (20.32 - 22.86)	0.030 (0.76)	0.090 (2.29)	800	0.980 (24.89)
0E7940A0	N/A	10A, 125/250VAC; 1/3HP 125/250VAC	Momentary	0.420 - 0.480 (10.67 - 12.19)	0.125 (3.18)	0.300 - 0.400 (7.62 - 10.16)	0.175 (4.45)	0.075 (1.91)	680	0.125 (3.18)
0F7930A0	10(4)A, 250VAC	10A, 125/250VAC; 1/3HP 125/250VAC	Momentary	0.730 - 0.790 (18.54 - 20.07)	0.125 (3.18)	0.610 - 0.710 (15.49 - 16.03)	0.100 (2.54)	0.075 (1.91)	757	0.520 (13.21)
			Cheat	0.730 - 0.790 (18.54 - 20.07)	0.155 (3.94)	0.800 - 0.900 (20.32 - 22.86)	0.030 (0.76)	0.090 (2.29)	800	0.980 (24.89)

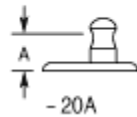
PANELMOUNT PUSHBUTTON – DOUBLE POLE

E75-E79 Series

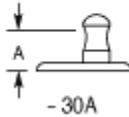
Button Details



Basic Momentary
- 00A



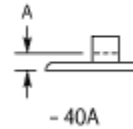
Push-Pull (Reset)
- 20A



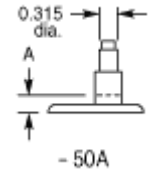
Momentary
- 30A



Cheat Interlock
- 30A



Short Button Momentary
- 40A



Momentary - For Auxiliary Push Button
- 50A

"A" dimension is full overtravel dimension – see above

Ordering Information

Select the desired contact rating

E79

Combine with the button style

40A

Full part number

E79-40A

For single throw versions:

Select the desired contact rating

E79

Combine with the button style

40A

SPST – NO

E79-41A
(Add 1 to suffix)

SPST - NC

E79-42A
(Add 2 to suffix)

Contact

Call, fax or visit our Website for more information.

ZF Electronics Corporation
11200 88th Avenue
Pleasant Prairie, WI 53158

Phone: 262.942.6500
Web: www.cherrycorp.com
Email: cep_sales@zf.com
Fax: 262.942.6566

The manufacturer accepts no liability for errors or non-availability, and reserves the right to change specifications without prior notice.

Technical data relates to product specifications only. Features may differ from those described. Only drawings combined with product specifications shall be deemed binding.

© 2007 ZF Electronics Corporation

Last Updated: 070711

