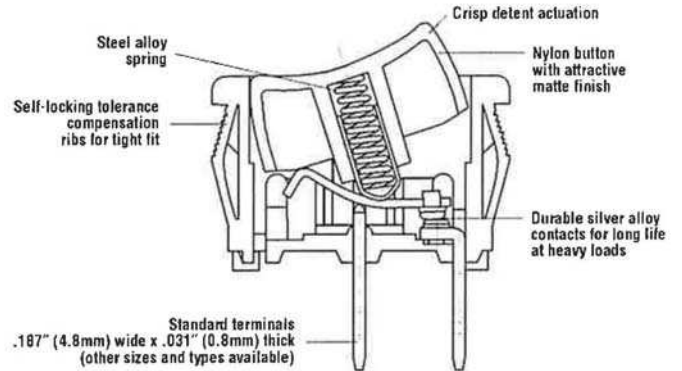


# Single-Pole Round Rocker Switch SR Series



## Features

- 20 amp switching in a compact design
- Self locking tabs and anti-rotation pin for snug fit
- Mechanical life: min. 50,000 operations

| Electrical Ratings |                |                          |                                    |                                   |
|--------------------|----------------|--------------------------|------------------------------------|-----------------------------------|
| Switch Series      | EN61058 Rating | UL1054 Rating            | Electrical Life at Rated Load      |                                   |
|                    |                |                          | According to VDE (Min. Operations) | According to UL (Min. Operations) |
| SR                 | N/A            | 20A, 125VAC; 12A, 250VAC | N/A                                | 6,000                             |

| Electrical Specifications   |                          | Material Specifications |                            |
|-----------------------------|--------------------------|-------------------------|----------------------------|
| Ratings:                    | 20A, 125VAC; 12A, 250VAC | Actuator:               | Nylon 66 94V-2             |
| Dielectric Strength:        | 1000VAC for 1 minute     | Base:                   | Nylon 66 94V-2             |
| Insulation Resistance:      | 100M ohms min at 500VDC  | Spring:                 | Steel Wire                 |
| Initial Contact Resistance: | 0.020 ohms max           | Contacts:               | Silver Alloy               |
| Temperature Range:          | -20°C to + 65°C          | Movable Arm:            | Silver-Plated Copper Alloy |
|                             |                          | Terminals:              | Tin-Plated Copper Alloy    |



RoHS Compliant  
UL File No: E23301

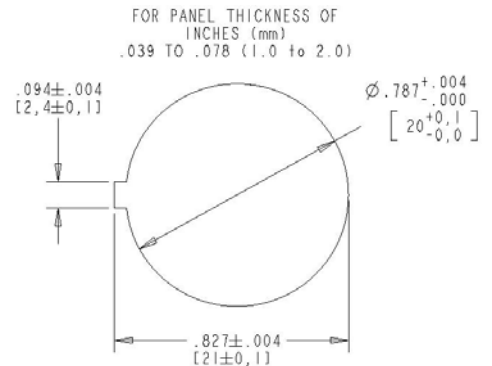
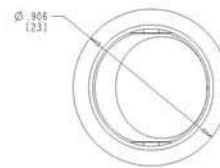
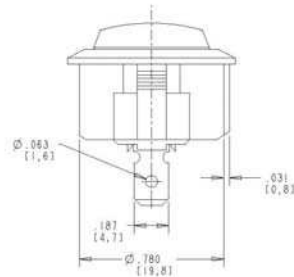
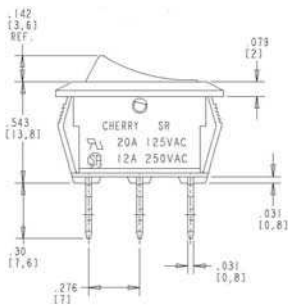
Specifications subject to change without notice.

# Single-Pole Round Rocker Switch

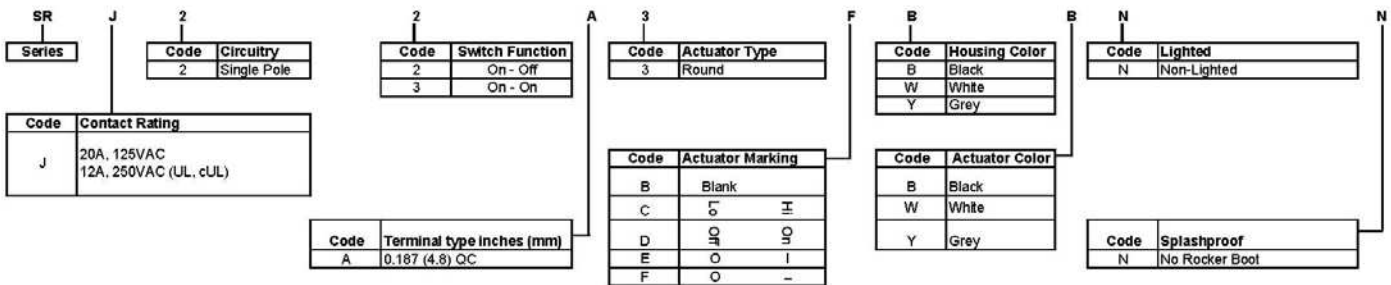
# SR Series

Dimensions inches (mm)

Recommended Panel Cut-Out Dimensions inches



## Ordering Information



## Examples of Common Part Numbers and Descriptions inches (mm)

| Part Number  | Circuitry | Switch Function | Terminal Type                 | Actuator/Housing Color | Legend Marking |
|--------------|-----------|-----------------|-------------------------------|------------------------|----------------|
| SRJ22A3BBBNN |           | On - Off        | 0.187 (4.80)<br>Quick-Connect | Black/<br>Black        |                |
| SRJ23A3BBBNN |           | On - On         | 0.187 (4.80)<br>Quick-Connect | Black/<br>Black        |                |
| SRJ22A3WWNN  |           | On - Off        | 0.187 (4.80)<br>Quick-Connect | White/<br>White        |                |
| SRJ22A3FBNN  |           | On - Off        | 0.187 (4.80)<br>Quick-Connect | Black/<br>Black        |                |

## Contact

Call, fax or visit our Website for more information.

**ZF Electronics Corporation**  
11200 88th Avenue  
Pleasant Prairie, WI 53158

Phone: 262.942.6500  
Web: [www.cherrycorp.com](http://www.cherrycorp.com)  
Email: [cep\\_sales@zf.com](mailto:cep_sales@zf.com)  
Fax: 262.942.6566

The manufacturer accepts no liability for errors or non-availability, and reserves the right to change specifications without prior notice.

Technical data relates to product specifications only. Features may differ from those described. Only drawings combined with product specifications shall be deemed binding.

© 2007 ZF Electronics Corporation

Last Updated: 12/5/11

