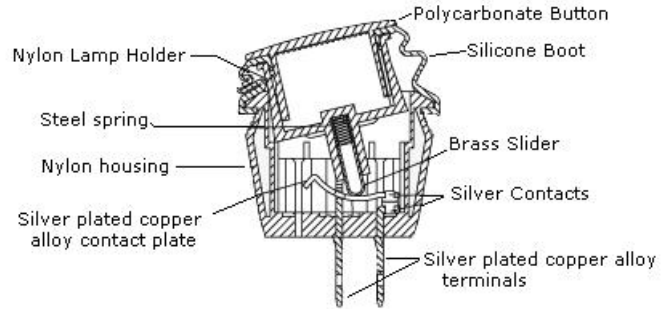


Waterproof Double Pole Round Rocker Switch

KD Series



Features

- Enclosed switch complies to IP56
- Lighted and non-lighted versions
- Snap in mounting

Electrical Ratings

Switch Series	VDC	UL1054 Rating	Electrical Life at Rated Load
			According to UL (Min. Operations)
KD	20A 14VDC; 10A 28VDC	16A 125VAC 10A 250VAC	6,000

Electrical Specifications		Material Specifications	
Ratings:	16A 125VAC; 10A 250VAC (cULus)	Actuator:	Polycarbonate 94v-2
Dielectric Strength:	1500VAC for 1 minute	Housing:	Nylon 66 94V-2
Insulation Resistance:	10 ⁸ ohms min at 500VDC	Spring:	Steel
Initial Contact Resistance:	0.050 ohms max	Contacts:	Silver Alloy
Temperature Range:	-25°C to + 85°C	Movable Arm:	Silver plated Copper Alloy
		Terminals:	Silver plated Copper Alloy
		Rubber Boot:	Silicone



RoHS Compliant
UL File No: E23301

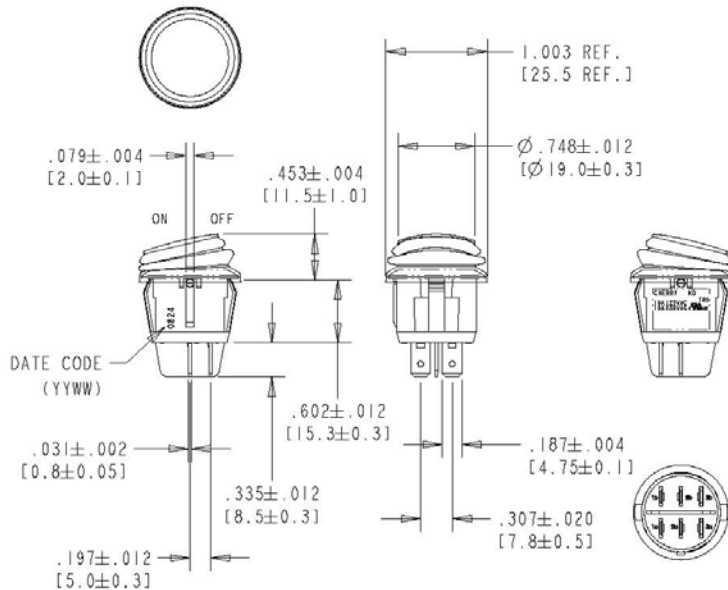
Specifications subject to change without notice.



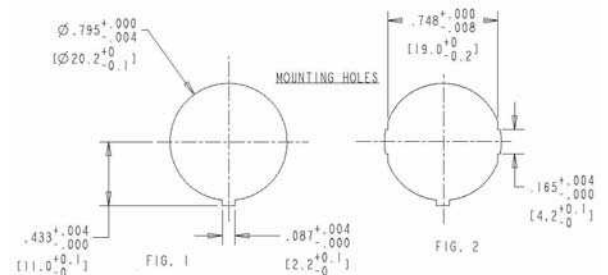
Waterproof Double Pole Round Rocker Switch

KD Series

Dimensions Inches (mm)

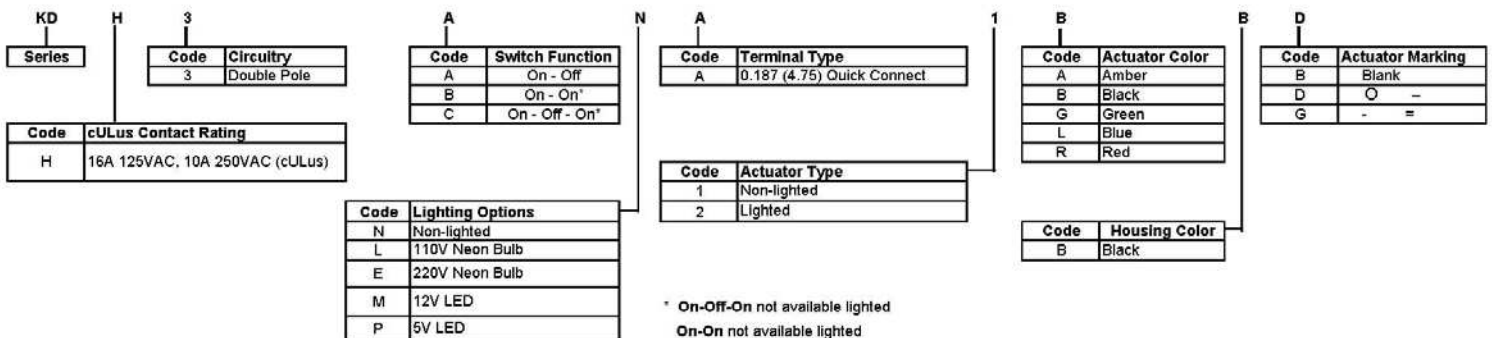


Recommended Panel Cut-Out Dimensions inches



MOUNTING HOLES	
FIG.	PANEL THICKNESS
1	.059 TO .098 [1.5 TO 2.5]
2	.028 TO .098 [0.7 TO 2.5]

Ordering Information



Examples of Common Part Numbers and Descriptions inches (mm)

Part Number	Circuitry	Switch Function	Terminal Type	Actuator / Housing Color	Legend Marking
KDH3ANA1BBB		On-Off	0.187 (4.75) Quick Connect	Black / Black	
KDH3ALA2RBB		On-Off (Illuminated)	0.187 (4.75) Quick Connect	Red / Black (Red Lens)	
KDH3BNA1BBB		On-On	0.187 (4.75) Quick Connect	Black / Black	
KDH3CNA1BBB		On-Off-On	0.187 (4.75) Quick Connect	Black / Black	

Contact

Call, fax or visit our Website for more information.

ZF Electronics Corporation
11200 88th Avenue
Pleasant Prairie, WI 53158

Phone: 262.942.6500
Web: www.cherrycorp.com
Email: cep_sales@zf.com
Fax: 262.942.6566

The manufacturer accepts no liability for errors or non-availability, and reserves the right to change specifications without prior notice.

Technical data relates to product specifications only. Features may differ from those described. Only drawings combined with product specifications shall be deemed binding.

© 2007 ZF Electronics Corporation

Last Updated: 080212

