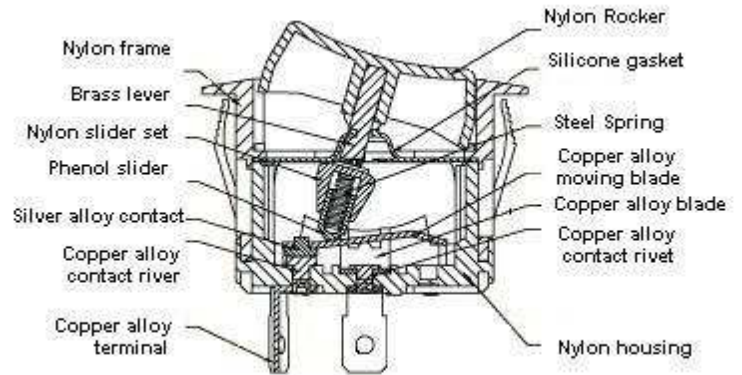


Waterproof 20A Rocker Switch

KG Series



Features

- Enclosed switch complies to IP56
- Available in single or double pole
- Maintained and momentary switch functions
- Snap-in mounting
- Mechanical life: 100,000 cycles
- DC electrical life: 25,000 cycles

Electrical Ratings

Switch Series	VDC	UL1054 Rating	Electrical Life at Rated Load
			According to UL (Min. Operations)
KG	21A 14VDC	20A 125VAC; 10A 250VAC	6,000

Electrical Specifications		Material Specifications	
Ratings:	20A 125VAC; 10A 250VAC	Actuator:	Nylon 66 with 33% Glass Fiber
Dielectric Strength:	1500VAC for 1 minute	Housing:	Nylon 66
Insulation Resistance:	100M Ω min at 500VDC	Spring:	Steel
Initial Contact Resistance:	0.050 ohms max	Contacts:	Silver Alloy
Temperature Range:	-25°C to + 85°C	Movable Arm:	Silver
Waterproof Rating:	IP56	Terminals:	Silver plated Copper Alloy
		Rubber Boot:	Silicone



RoHS Compliant
UL File No: E23301

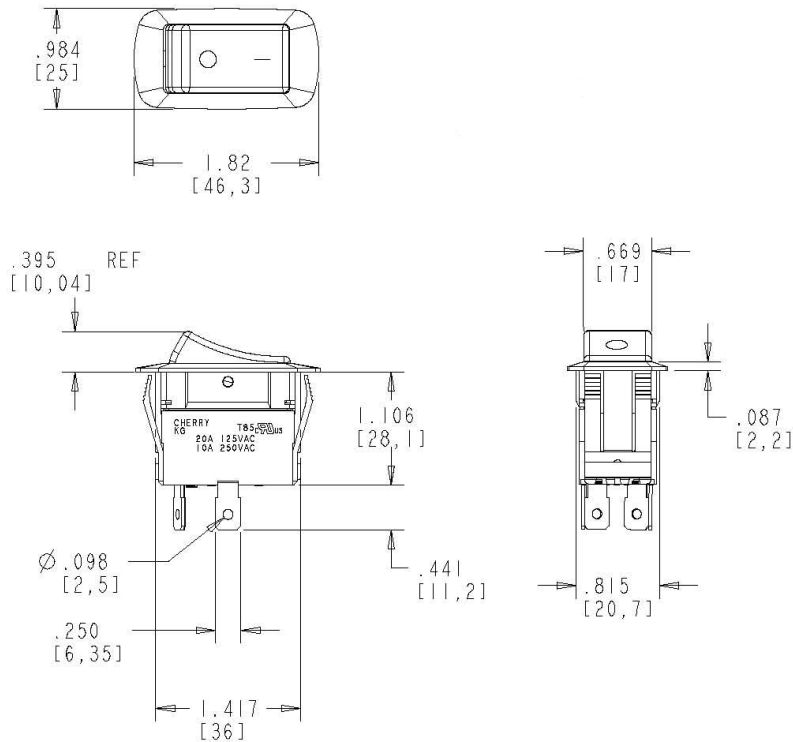
Specifications subject to change without notice.



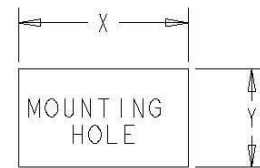
Waterproof 20A Rocker Switch

KG Series

Dimensions Inches (mm)



Recommended Panel Cut-Out Dimensions inches (mm)



Z = PANEL THICKNESS

DIM. Z	DIM. X	DIM. Y
.030 TO .049	1.441±.004	.835±.004
.049 TO .079	1.449±.004	.835±.004
.079 TO .118	1.457±.004	.835±.004






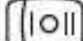
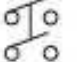

Ordering Information

KG	C	3	A	N	B	1	B	B
Series		Code Circuitry	Code Switch Function		Code Terminal Type		Code Actuator Color	Code Actuator Marking
		2 Single Pole 3 Double Pole	A On - Off B On-On C On-Off-On D (On) - Off E On-(Off) F On-(On) H On-Off-(On) J (On)-Off-(On)		B 0.250 (6.35) Quick Connect S Screw (No. 6-32 UNC) T Solder (Square) 0.189 (4.8)		B Black	B Blank D O - E O F G - = N O
Code	cULus Contact Rating				Code Actuator Type		Code Housing Color	
C	20A 125VAC, 10A 250VAC				1 Non-lighted		B Black	
			Code Lighting Options					
			N Non-lighted					

Waterproof 20A Rocker Switch

KG Series

Examples of Common Part Numbers and Descriptions inches (mm)

Part Number	Circuitry	Switch Function	Terminal Type	Actuator/ Housing Color	Legend Marking
KGC2ANB1BBD		On-Off	0.250 (6.3) Quick-Connect	Black/Black	
KGC2BNB1BBB		On-On	0.250 (6.3) Quick-Connect	Black/Black	
KGC2CNB1BBN		On - Off - On	0.250 (6.3) Quick-Connect	Black/Black	
KGC3ANB1BBD		On-Off	0.250 (6.3) Quick-Connect	Black/Black	

Contact

Call, fax or visit our Website for more information.

ZF Electronics Corporation
11200 88th Avenue
Pleasant Prairie, WI 53158

Phone: 262.942.6500
Web: www.cherrycorp.com
Email: cep_sales@zf.com
Fax: 262.942.6566

The manufacturer accepts no liability for errors or non-availability, and reserves the right to change specifications without prior notice.

Technical data relates to product specifications only. Features may differ from those described. Only drawings combined with product specifications shall be deemed binding.

