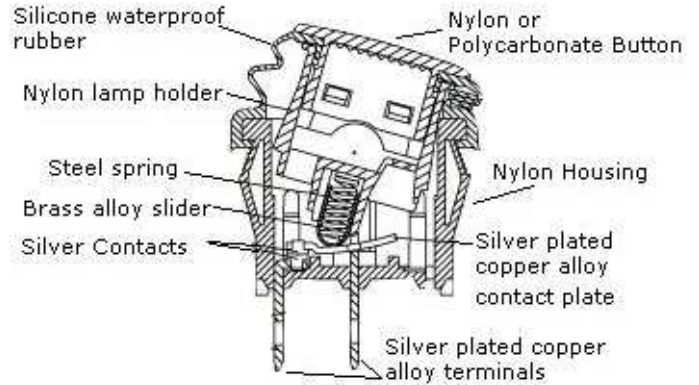


Waterproof Miniature Rocker Switch

KR Series



Features

- Enclosed switch complies to IP65
- Lighted and non-lighted versions available
- Maintained and momentary switch functions
- Snap in mounting

Electrical Ratings		
Switch Series	UL1054 Rating	Electrical Life at Rated Load
		According to UL (Min. Operations)
KR	16A 125VAC 1/3 HP; 10A 250VAC 1/2HP 16A 12VDC; 6A 28VDC	6,000

Electrical Specifications		Material Specifications	
Ratings:	16A 125VAC 1/3 HP; 10A 250VAC 1/2HP 16A 12VDC; 6A 28VDC	Actuator (non-lighted):	Nylon 66 94V-2
Dielectric Strength:	1500VAC for 1 minute	Actuator (lighted) :	Polycarbonate
Insulation Resistance:	10 ⁸ ohms min at 500VDC	Housing:	Nylon 66 94V-2
Initial Contact Resistance:	0.050 ohms max	Spring:	Steel Wire
Temperature Range:	-25°C to + 85°C	Contacts:	Silver Alloy
		Movable Arm:	Silver
		Terminals:	Silver plated Copper Alloy
		Rubber Boot:	Silicone



RoHS Compliant
UL File No: E23301

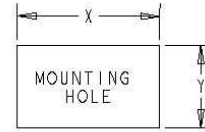
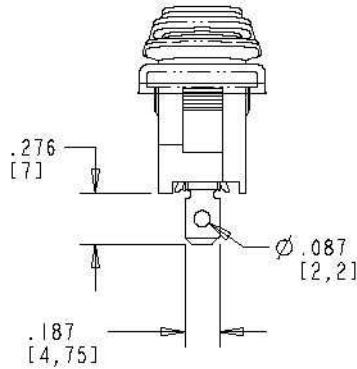
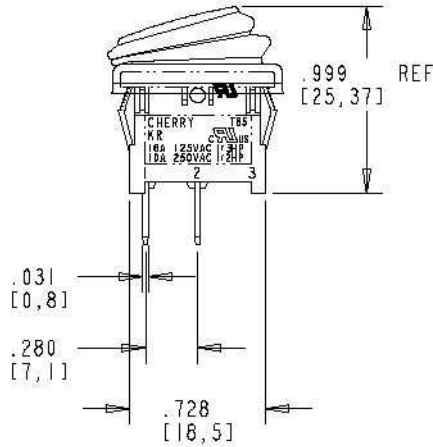
Specifications subject to change without notice.

Waterproof Miniature Rocker Switch

KR Series

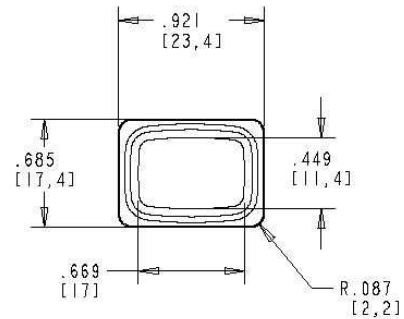
Dimensions (inches)

Recommended Panel Cut-Out Dimensions inches



Z = PANEL THICKNESS

DIM. Z	DIM. X	DIM. Y
.030 TO .059	.764±.004	.512±.004
.059 TO .098	.780±.004	.512±.004



Ordering Information

Series	Code	Circuitry
KR	E	2 Single Pole

Code	cULus Contact Rating
E	16A 125VAC 1/3 HP 10A 250VAC 1/2 HP 16A 12VDC 6A 28VDC

Code	Switch Function
A	On - Off
B	On - On
D	(On) - Off

*Only available as non-lighted

Code	Lighting Options
N	Non-lighted
L	110V Neon bulb
E	220V Neon Bulb
M	12V LED

Code	Terminal Type
A	0.187 (4.75) Quick Connect

Code	Actuator Type
1	Non-lighted
2	Lighted

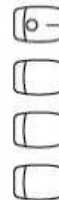
Code	Actuator Color
A	Amber
B	Black
G	Green
R	Red

Code	Housing Color
B	Black

Code	Actuator Marking
B	Blank
D	O -

Examples of Common Part Numbers and Descriptions inches (mm)

KRE2ANA1BBD		On-Off	0.187 (4.75) Quick-Connect	Black/Black
KRE2ALA2RBB		On-Off (Illuminated)	0.187 (4.8) Quick-Connect	Black/Red
KRE2BNA1BBB		On-On	0.187 (4.8) Quick-Connect	Black/Black
KRE2DNA1BBB		(On)-Off	0.187 (4.8) Quick-Connect	Black/Black



Contact

Call, fax or visit our Website for more information.

ZF Electronics Corporation
11200 88th Avenue
Pleasant Prairie, WI 53158

Phone: 262.942.6500
Web: www.cherrycorp.com
Email: cep_sales@zf.com
Fax: 262.942.6566

The manufacturer accepts no liability for errors or non-availability, and reserves the right to change specifications without prior notice.

Technical data relates to product specifications only. Features may differ from those described. Only drawings combined with product specifications shall be deemed binding.

© 2007 ZF Electronics Corporation

Last Updated: 080212

