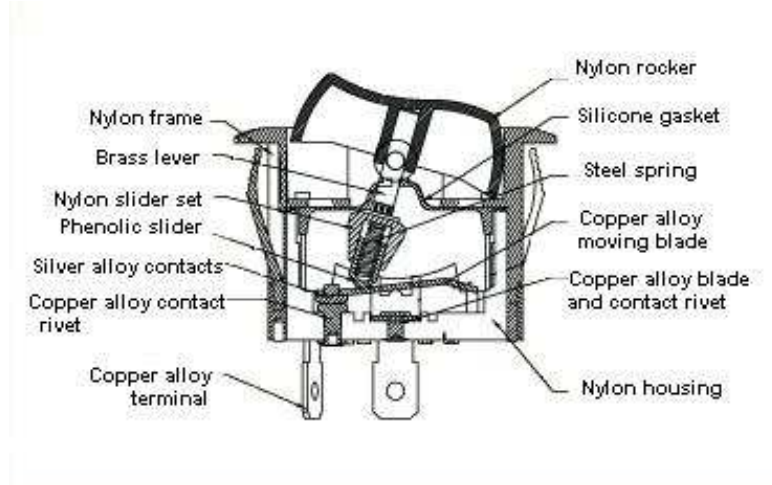


Waterproof 16A Rocker Switch KS Series



Features

- Enclosed switch complies to IP56
- Available in single or double pole
- Multiple terminal options
- Snap-in mounting
- Mechanical life: 100,000 cycles
- DC electrical life: 25,000 cycles

Electrical Ratings

| Switch Series | VDC | UL 1054 Rating | Electrical Life at Rated Load According to UL |
|---------------|-----------|--|---|
| | | | (Min. Operations) |
| KS | 21A 14VDC | 16A 125VAC; 10A 277VAC; 3/4HP 125/277 VAC | 6,000 |

| Electrical Specifications | | Material Specifications | |
|------------------------------------|-------------------------------------|-------------------------|----------------------------|
| Ratings: | 16A 125VAC; 10A 277VAC 21A 14VDC | Actuator: | Nylon 66 with Glass Fiber |
| Dielectric Strength: | 1500VAC for 1 minute | Housing: | Nylon 66 94V-2 |
| Insulation Resistance: | 100M Ω min at 500VDC | Bezel: | Nylon 66 with Glass Fiber |
| Initial Contact Resistance: | 0.050 ohms max | Spring: | Steel |
| Temperature Range: | -20°C to + 85°C | Contacts: | Silver inlay Copper alloy |
| Waterproof Rating: | IP56 | Movable Arm: | Silver plated Copper alloy |
| | | Terminals: | Silver plated Copper alloy |



RoHS Compliant

Specifications subject to change without notice.

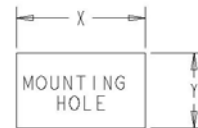
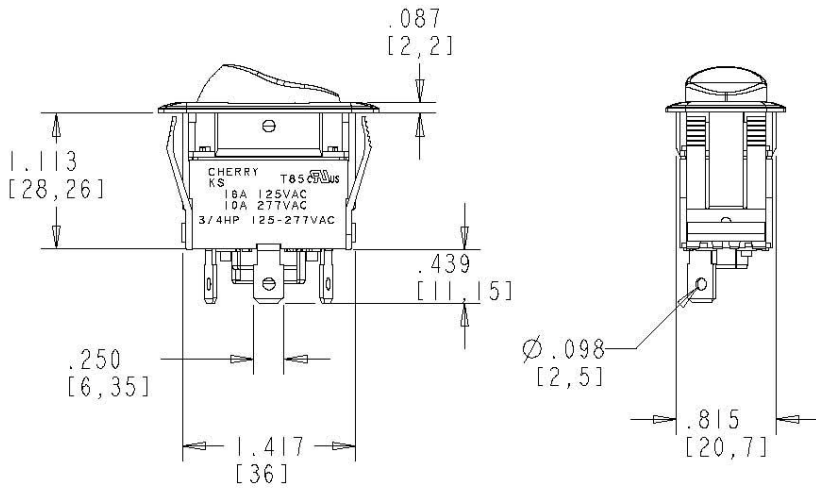
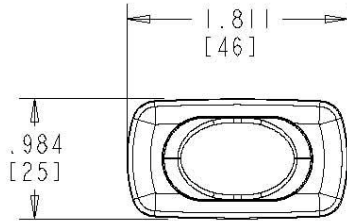


Waterproof 16A Rocker Switch

KS Series

Dimensions Inches (mm)

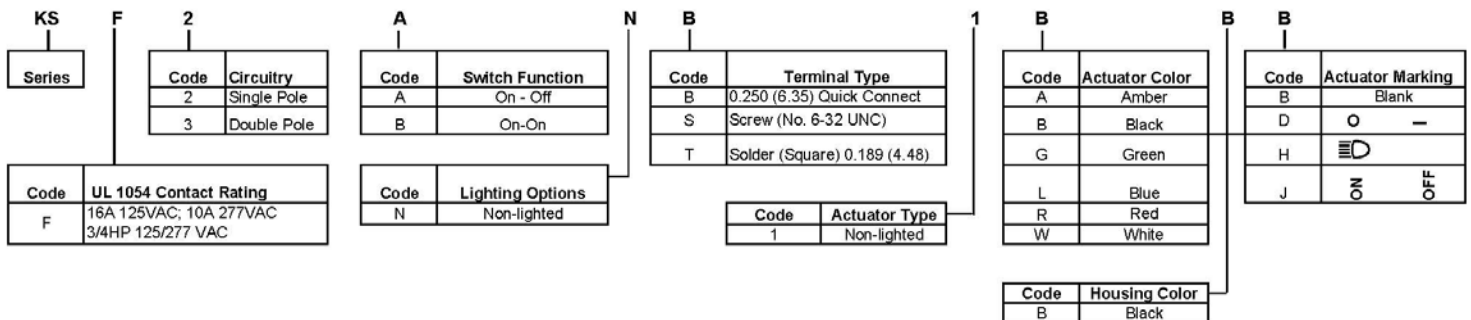
Recommended Panel Cut-Out Dimensions inches



Z = PANEL THICKNESS

| DIM. Z | DIM. X | DIM. Y |
|--------------|------------|-----------|
| .030 TO .049 | 1.441±.004 | .835±.004 |
| .049 TO .079 | 1.449±.004 | .835±.004 |
| .079 TO .118 | 1.457±.004 | .835±.004 |


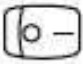


Ordering Information



Waterproof 16A Rocker Switch

KS Series

Examples of Common Part Numbers and Descriptions inches (mm)

| Part Number | Circuitry | Switch Function | Terminal Type | Actuator/ Housing Color | Legend Marking |
|-------------|---|-----------------|------------------------------|----------------------------|---|
| KSF2ANB1BBD |  | On-Off | 0.250 (6.3) Quick-Connect | Black/Black |  |
| KSF2BNB1BBB |  | On-On | 0.250 (6.3) Quick-Connect | Black/Black |  |

Contact

Call, fax or visit our Website for more information.

ZF Electronics Corporation
11200 88th Avenue
Pleasant Prairie, WI 53158

Phone: 262.942.6500
Web: www.cherrycorp.com
Email: cep_sales@zf.com
Fax: 262.942.6566

The manufacturer accepts no liability for errors or non-availability, and reserves the right to change specifications without prior notice.

Technical data relates to product specifications only. Features may differ from those described. Only drawings combined with product specifications shall be deemed binding.

