

MAGNETIC REED SENSOR

**MP2017 Series**

Reed-based magnetic sensor encapsulated in smooth plastic housing



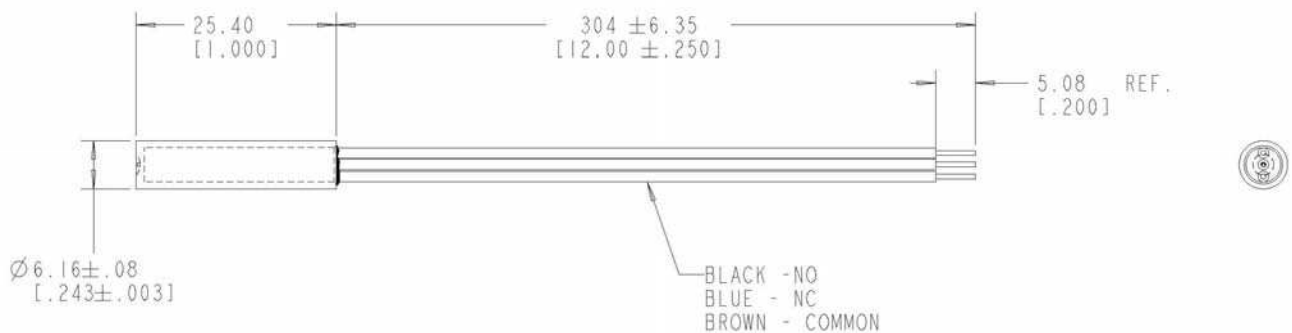
**Features**

- Hermetically sealed for long life
- Resistant to moisture and dirt
- Suitable for DC and AC circuits
- Zero power consumption
- A standard magnetic actuator is available in the same housing (Part number AS201701)
- RoHS compliant

**Specifications**

Part Number	Contact Form	Power Rating (W max)	Switching Voltage (AC/DC max)	Breakdown Voltage (VDC min)	Switching Current (Amps max)	Contact Resistance (Ohms max)	Operating Temp Range (°C)	Operate Time (msec typical)
MP201701	SPST-NO Form A	10	175	200	0.5	0.200	-40 to 105	1.0
MP201702	SPST-NC Form B	3	30	200	0.2	0.100	-40 to 105	1.0
MP201703	SPDT CO Form C	3	30	200	0.2	0.100	-40 to 105	1.0

**Dimensions inches (mm)**



Operate Distance with AS201701 Magnetic Actuator



Operate Distance: .150" (3, 8mm) min.  
Release Distance: .500" (12, 7mm) max.

Specifications subject to change without notice.

Last Updated 083011

