

MP2019 Series

Reed-based magnetic position sensor in plastic flange mount package



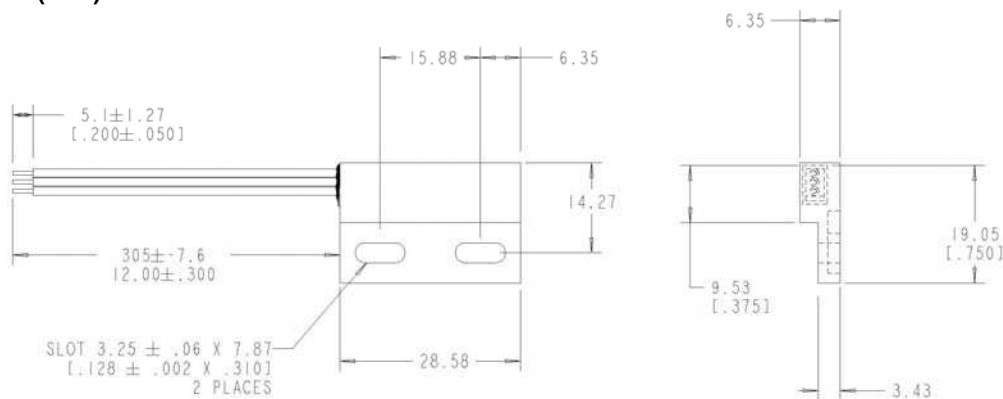
Features

- Immune to Hostile Environments
- Hermetically sealed for long life
- Suitable for DC and AC circuits
- Zero power consumption
- A standard magnetic actuator is available in the same housing (Part number AS201901)
- RoHS compliant

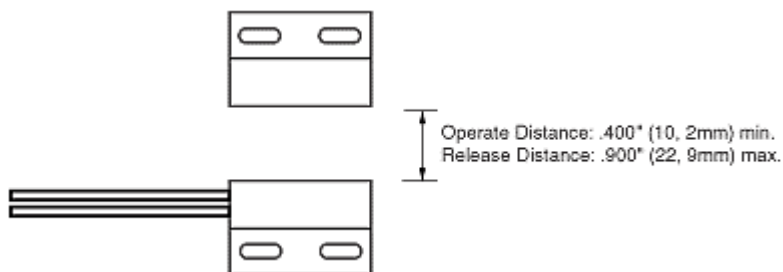
Specifications

Part Number	Contact Form	Power Rating (W max)	Switching Voltage (AC/DC max)	Breakdown Voltage (VDC min)	Switching Current (Amps max)	Contact Resistance (Ohms max)	Operating Temp Range (°C)	Operate Time (msec typical)
MP201901	SPST-NO Form A	10	175	200	0.5	0.200	-40 to 105	1.0
MP201902	SPST-NC Form B	3	30	200	0.2	0.100	-40 to 105	1.0
MP201903	SPDT CO Form C	3	30	200	0.2	0.100	-40 to 105	1.0

Dimensions inches (mm)



Operate Distance with AS201901 Magnetic Actuator



Specifications subject to change without notice.

Last Updated 083011