

THE INFORMATION CONTAINED HEREIN IS CONSIDERED "PROPRIETARY" TO BEL FUSE INC. AND SHALL NOT BE COPIED, REPRODUCED OR DISCLOSED WITHOUT THE WRITTEN APPROVAL OF BEL FUSE INC.

RoHS
2002/95/EC

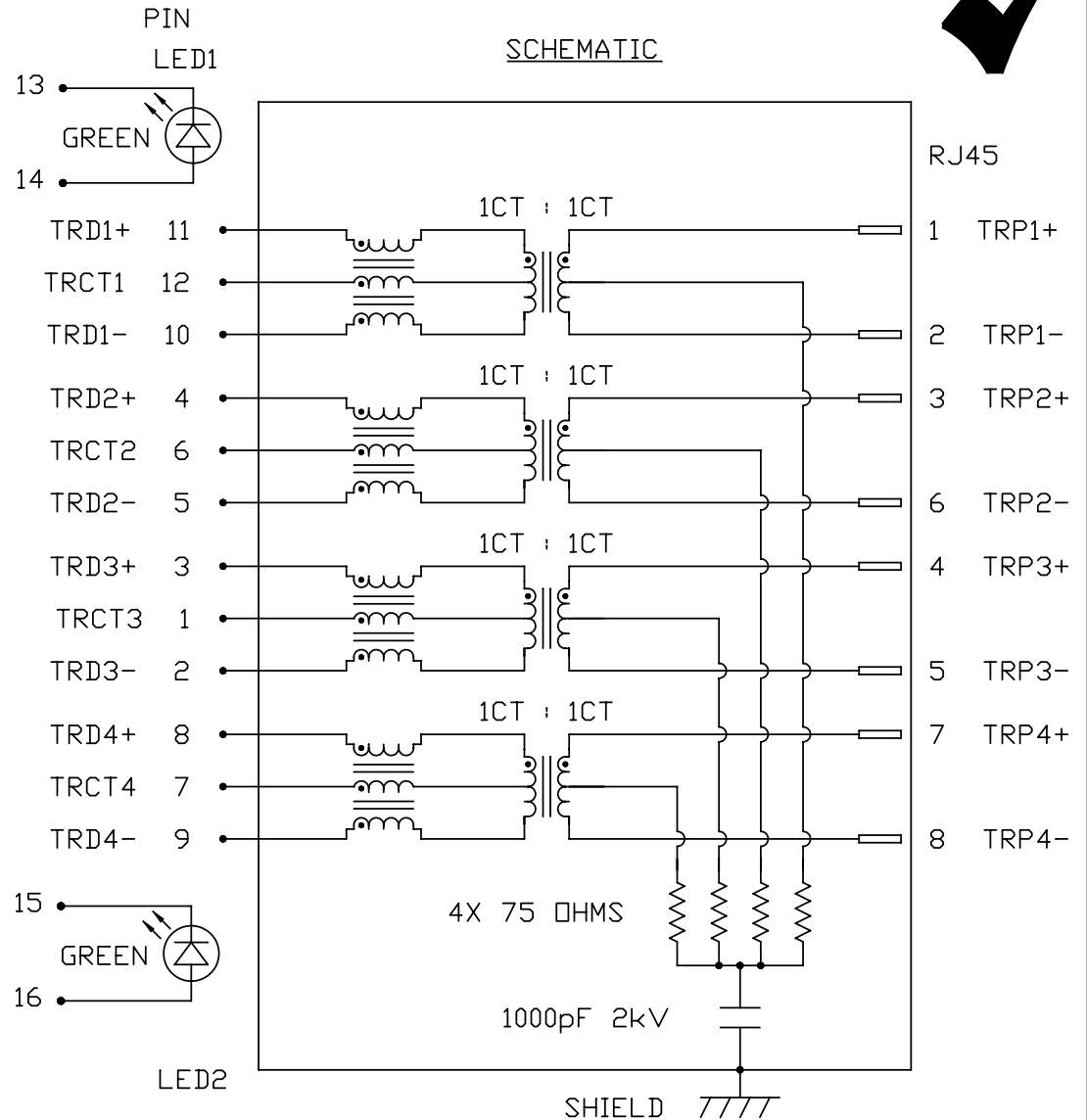


LED1 POLARITY			LED2 POLARITY		
PIN 13	PIN 14	COLOR	PIN 15	PIN 16	COLOR
-	+	GREEN	-	+	GREEN

ELECTRICAL CHARACTERISTICS @ 25°C

URNS RATIO

TP1	1CT : 1CT ±2%
TP2	1CT : 1CT ±2%
TP3	1CT : 1CT ±2%
TP4	1CT : 1CT ±2%
□CL @ 100kHz/100mVRMS	(0-70 Deg. C)
8mA DC BIAS	350µH MIN.
INS. LOSS	
0.1MHz TO 1MHz	-1.1 dB MAX
1MHz TO 65MHz	-0.5 dB MAX
65MHz TO 100MHz	-0.8 dB MAX
100MHz TO 125MHz	-1.2 dB MAX
RET. LOSS (MIN) @ 100 OHMS +/-15%	
0.5MHz-40MHz	-18 dB
40MHz-100MHz	-12+20LOG(f/80MHz) dB
CM TO CM REJ	
100kHz - 100MHz	-30 dB MIN
CM TO DM REJ	
100kHz - 100MHz	-35 dB MIN
HIPOT (Isolation Voltage): 1500 Vrms / 2250 VDC	
100% OF PRODUCT TESTED IN PRODUCTION	
LED 1& LED2	
V _F (FORWARD VOLTAGE)	IF=20mA GREEN 2.2V TYP.
λ _D (DOMINANT WAVELENGTH)	IF=20mA GREEN 565nm TYP.



ORIGINATED BY	DATE	TITLE	PART NO. / DRAWING NO.	STANDARD DIM. TOL. IN INCH	[] METRIC DIM. AS REFERENCE
CHOW WANGCHUNG	06-04-11	gigabit MagJack® (NanoJack) PATENTED	L834-1G1T-S7	.X	UNIT : INCH [mm] REV. : C
DRAWN BY	DATE		FILE NAME	.XX	SCALE : N/A SIZE : A4
TAN QIGUANG	06-04-11		L834-1G1T-S7_C.DWG	.XXX	PAGE : 2

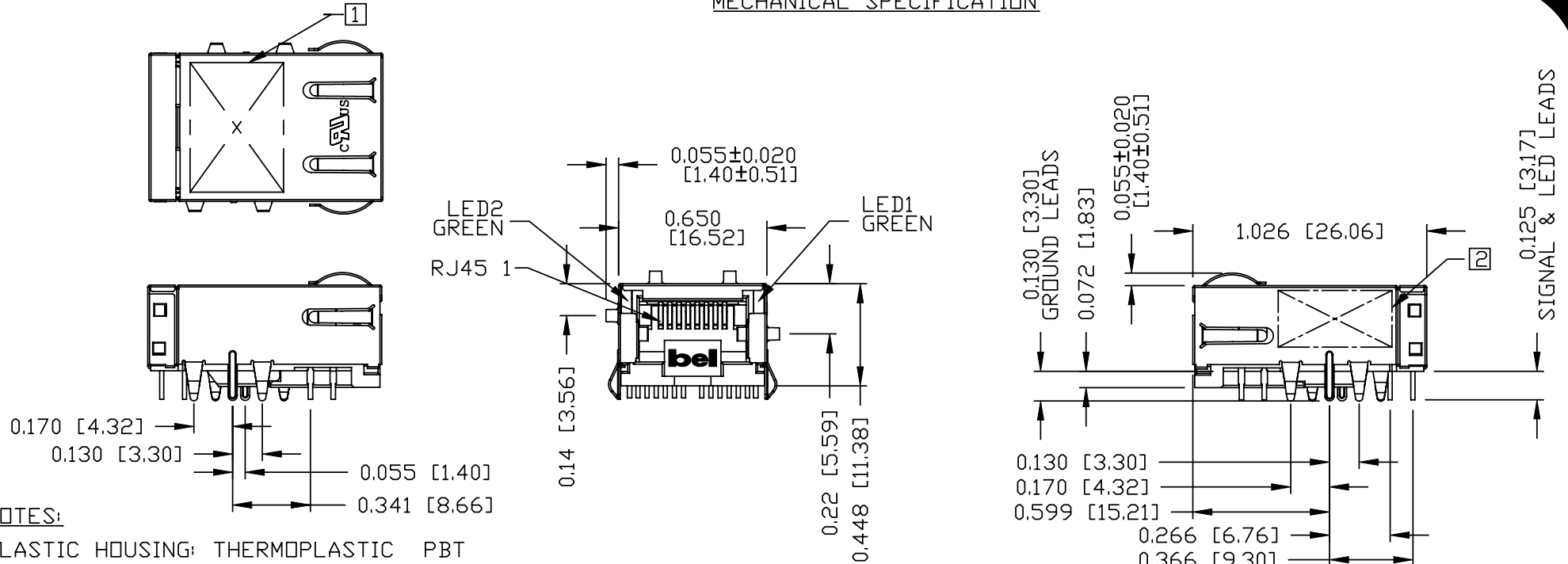


THE INFORMATION CONTAINED HEREIN IS CONSIDERED "PROPRIETARY" TO BEL FUSE INC. AND SHALL NOT BE COPIED, REPRODUCED OR DISCLOSED WITHOUT THE WRITTEN APPROVAL OF BEL FUSE INC.

RoHS
2002/95/EC



MECHANICAL SPECIFICATION



NOTES:

- PLASTIC HOUSING: THERMOPLASTIC PBT
FLAMMABILITY RATING UL 94V-0
- CONTACTS: 30 MICRO-INCH HARD GOLD PLATING
- OUTPUT PINS: TIN-COATED COPPER WIRE, DIA 0.018 INCH.
- METAL SHIELD: NICKEL PLATED ON COPPER ALLOY.
(ALL GROUND LEADS ARE SOLDER DIPPED)

1. MARK PART WITH MFG. LOGO, MFG. NAME, PART NUMBER, AND DATE CODE.

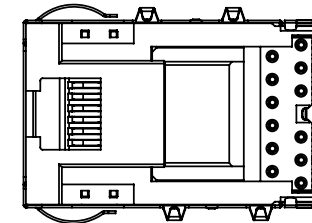
2. MARKING "PATENTED".

3. RoHS COMPLIANCE, PER EU DIRECTIVE 2002/95/EC.

USUL RECOGNIZED - FILE #E196366 AND E169987.

4. JACK CAVITY CONFORMS TO FCC RULES AND REGULATIONS.

5. THE PRODUCT IS PATENTED, THE PATENT NUMBER IS U.S. PAT. 5,736,910.



ORIGINATED BY	DATE	TITLE	PART NO. / DRAWING NO.	STANDARD DIM. TOL. IN INCH	[] METRIC DIM. AS REFERENCE
CHEN BILL	06-04-11	gigabit MagJack® (NanoJack) PATENTED	L834-1G1T-S7	.X	UNIT : INCH [mm] REV. : C
DRAWN BY	DATE		FILE NAME	.XX ±0.015	SCALE : N/A SIZE : A4
HE ZHEN	06-04-11		L834-1G1T-S7_C.DWG	.XXX ±0.010	PAGE : 3

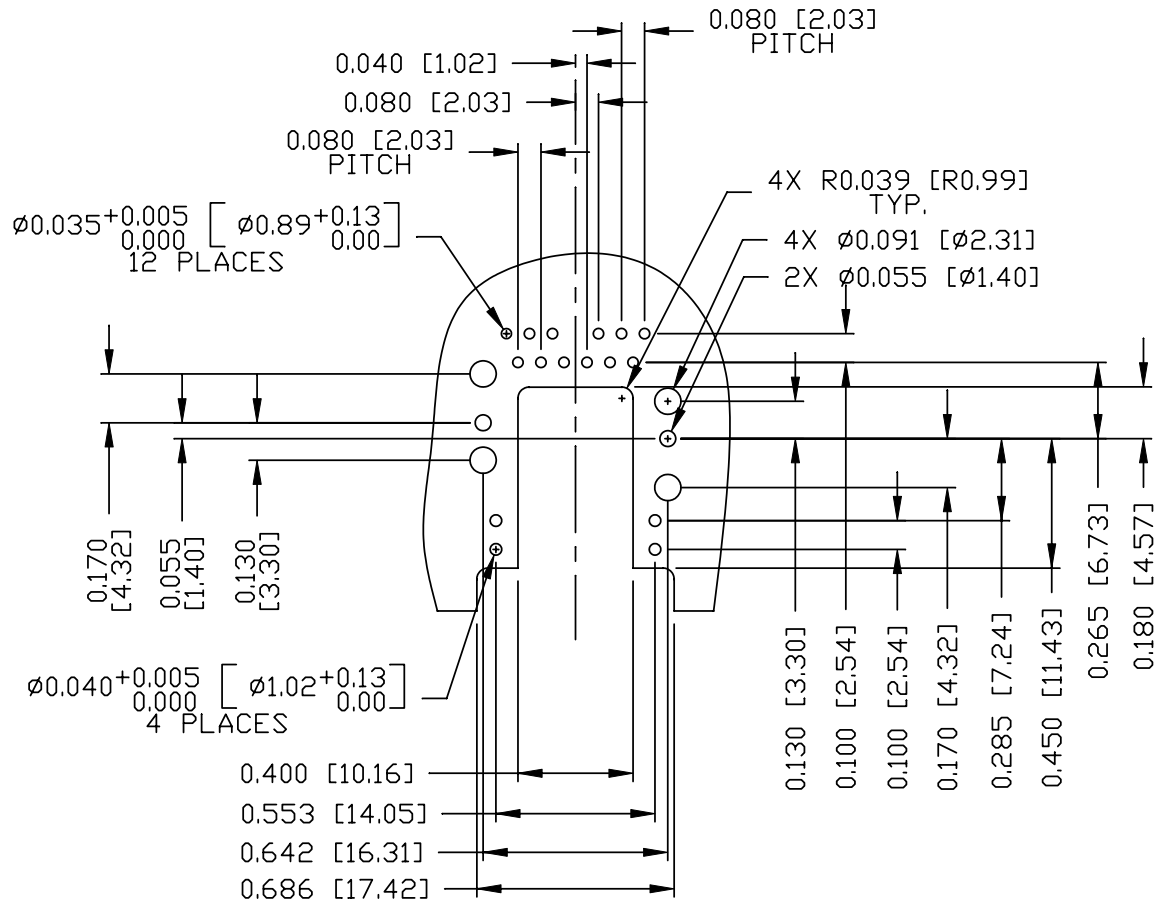


THE INFORMATION CONTAINED HEREIN IS CONSIDERED "PROPRIETARY" TO BEL FUSE INC. AND SHALL NOT BE COPIED, REPRODUCED OR DISCLOSED WITHOUT THE WRITTEN APPROVAL OF BEL FUSE INC.

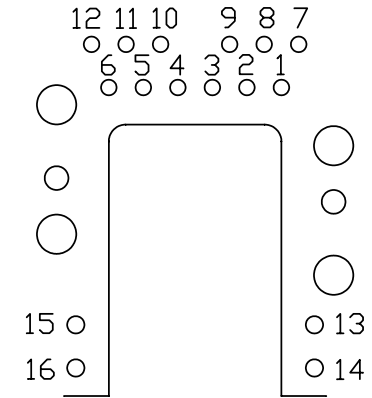
RoHS
2002/95/EC



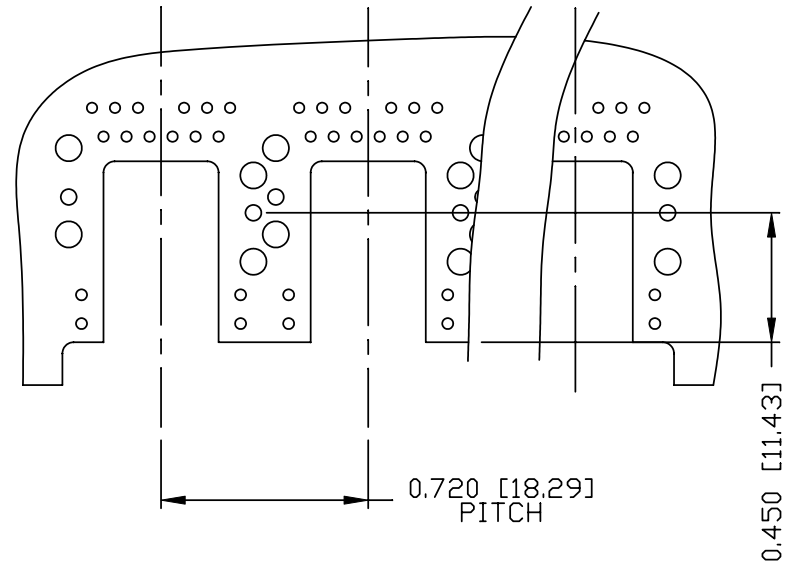
RECOMMENDED PCB FOOTPRINT
COMPONENT SIDE VIEW



FOR ONE UNIT



PIN-OUT ASSIGNMENT
(SCALE 1.5:1)



FOR MULTI-UNITS

ORIGINATED BY	DATE
CHEN BILL	06-04-11
DRAWN BY	DATE
HE ZHEN	06-04-11

TITLE	gigabit MagJack® (NanoJack) PATENTED
-------	--------------------------------------------

PART NO. / DRAWING NO.	L834-1G1T-S7
FILE NAME	L834-1G1T-S7_C.DWG

STANDARD DIM. TOL. IN INCH	[] METRIC DIM. AS REFERENCE
.X	UNIT : INCH [mm]
.XX	SCALE : N/A
.XXX	±0.004

REV. : C	SIZE : A4
PAGE : 4	

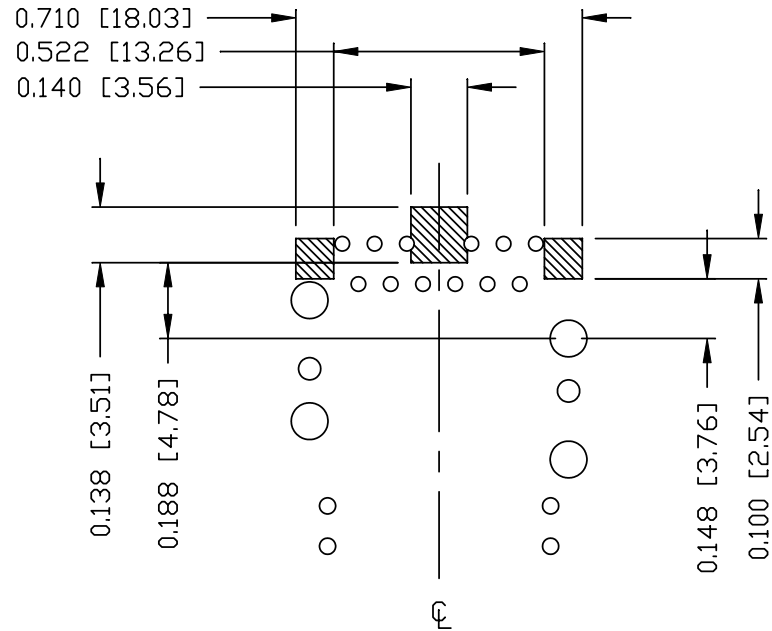


THE INFORMATION CONTAINED HEREIN IS CONSIDERED "PROPRIETARY" TO BEL FUSE INC. AND SHALL NOT BE COPIED, REPRODUCED OR DISCLOSED WITHOUT THE WRITTEN APPROVAL OF BEL FUSE INC.

RoHS
2002/95/EC



RECOMMENDED PCB FOOTPRINT
COMPONENT SIDE VIEW



NOTES

THE SHADED AREA ON THE CUSTOMER BOARD ARE RECOMMENDED TO BE CLEAR OFF ANY VIA HOLE OR COMPONENT PAD.

ORIGINATED BY	DATE	TITLE gigabit MagJack® (NanoJack) PATENTED	PART NO. / DRAWING NO. L834-1G1T-S7	STANDARD DIM.		[] METRIC DIM. AS REFERENCE	
CHEN BILL	06-04-11			TOL. IN INCH	UNIT : INCH [mm]	REV. : C	
DRAWN BY	DATE		FILE NAME L834-1G1T-S7_C.DWG	.X	SCALE : N/A	SIZE : A4	PAGE : 5
HE ZHEN	06-04-11			.XX			
				.XXX			

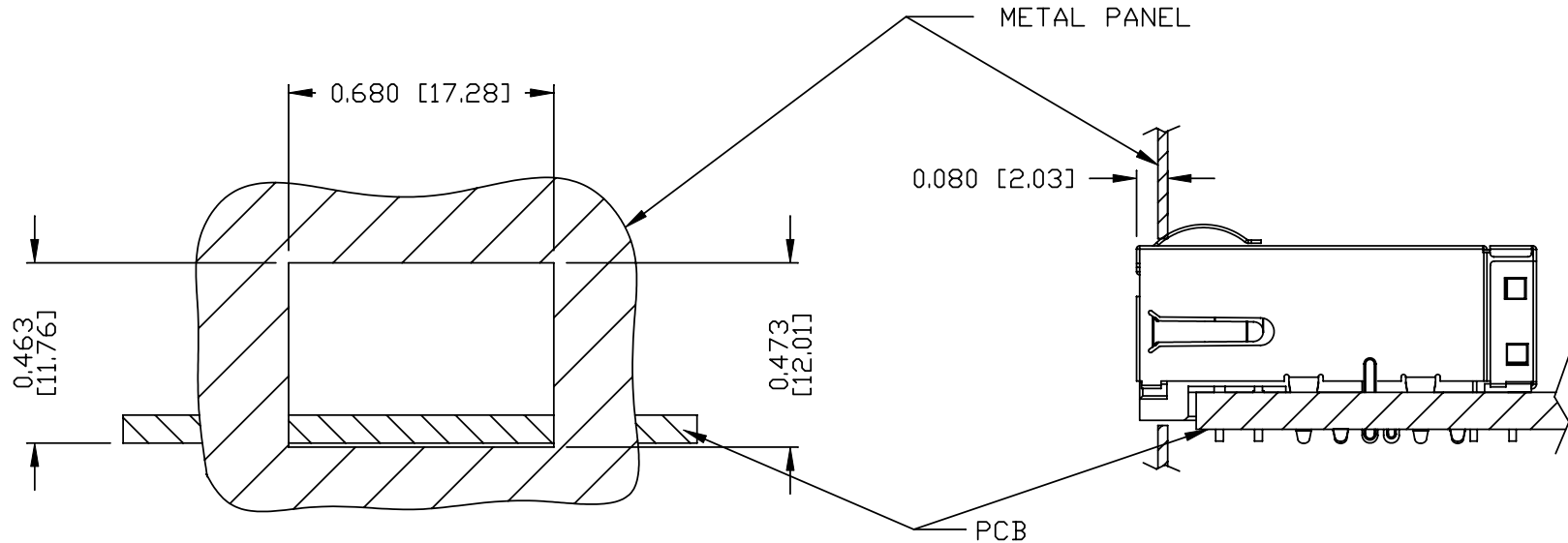


THE INFORMATION CONTAINED HEREIN IS CONSIDERED "PROPRIETARY" TO BEL FUSE INC. AND SHALL NOT BE COPIED, REPRODUCED OR DISCLOSED WITHOUT THE WRITTEN APPROVAL OF BEL FUSE INC.

RoHS
2002/95/EC



SUGGESTED PANEL OPENING



NOTE:

THE DISTANCE OF PANEL INSIDE SURFACE RELATIVE TO FRONT SURFACE OF PART IS ONLY A SUGGESTION. IN CASE THIS DISTANCE IS DIFFERENT, THE REQUIRED PANEL OPENING DIMENSIONS CHANGE ACCORDINGLY.

PACKING INFORMATION

PACKING TRAY : 0200-9999-M3(TOP)
0200-9999-M4(BOTTOM)

PACKING QUANTITY : 65 PCS FINISHED GOODS PER TRAY.
12 TRAYS (780 PCS FINISHED GOODS) PER CARTON BOX.

NOTE: CARDBOARDS ARE PLACED BETWEEN LAYERS OF PACKING TRAY INSIDE CARTON BOX.
(INCLUDE THE UPPERMOST AND LOWERMOST TRAY)

ORIGINATED BY	DATE	TITLE	PART NO. / DRAWING NO.	STANDARD DIM. TOL. IN INCH	[] METRIC DIM. AS REFERENCE
CHEN BILL	06-04-11	gigabit MagJack® (NanoJack) PATENTED	L834-1G1T-S7	.X	UNIT : INCH [mm] REV. : C
DRAWN BY	DATE		FILE NAME	.XX	SCALE : N/A SIZE : A4
HE ZHEN	06-04-11		L834-1G1T-S7_C.DWG	.XXX	±0.004
					⊕
					REV. : C
					SIZE : A4
					PAGE : 6

