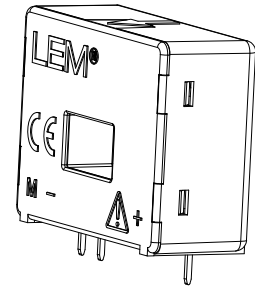


Current Transducer LA 55-P

For the electronic measurement of currents: DC, AC, pulsed..., with galvanic isolation between the primary circuit (high power) and the secondary circuit (electronic circuit).

$I_{PN} = 50 \text{ A}$



Electrical data

I_{PN}	Primary nominal current rms	50	A					
I_{PM}	Primary current, measuring range	0 .. ± 70	A					
R_M	Measuring resistance	$T_A = 70^\circ\text{C}$		$T_A = 85^\circ\text{C}$				
		$R_{M \min}$	$R_{M \max}$	$R_{M \min}$	$R_{M \max}$			
		with $\pm 12 \text{ V}$	@ $\pm 50 \text{ A}_{\max}$	10	100	60	95	Ω
			@ $\pm 70 \text{ A}_{\max}$	10	50	60 ¹⁾	60 ¹⁾	Ω
	with $\pm 15 \text{ V}$	@ $\pm 50 \text{ A}_{\max}$	50	160	135	155	Ω	
		@ $\pm 70 \text{ A}_{\max}$	50	90	135 ²⁾	135 ²⁾	Ω	
I_{SN}	Secondary nominal current rms	50	mA					
K_N	Conversion ratio	1 : 1000						
V_C	Supply voltage ($\pm 5 \%$)	$\pm 12 \dots 15$	V					
I_C	Current consumption	10 (@ $\pm 15 \text{ V}$) + I_S	mA					

Accuracy - Dynamic performance data

X	Accuracy @ $I_{PN}, T_A = 25^\circ\text{C}$	@ $\pm 15 \text{ V} (\pm 5 \%)$	± 0.65	%	
		@ $\pm 12 \dots 15 \text{ V} (\pm 5 \%)$	± 0.90	%	
ϵ_L	Linearity error		< 0.15	%	
I_O	Offset current @ $I_p = 0, T_A = 25^\circ\text{C}$	Typ		± 0.2	mA
		Max		± 0.2	mA
I_{OM}	Magnetic offset current ³⁾ @ $I_p = 0$ and specified R_M after an overload of $3 \times I_{PN}$			± 0.3	mA
I_{OT}	Temperature variation of I_O	- $25^\circ\text{C} \dots + 85^\circ\text{C}$	± 0.1	± 0.6	mA
		- $40^\circ\text{C} \dots - 25^\circ\text{C}$	± 0.2	± 1.0	mA
t_{ra}	Reaction time to 10 % of I_{PN} step		< 500	ns	
t_r	Response time to 90 % of I_{PN} step		< 1	μs	
di/dt	di/dt accurately followed		> 200	A/ μs	
BW	Frequency bandwidth (- 1 dB)		DC .. 200	kHz	

General data

T_A	Ambient operating temperature	- 40 .. + 85	$^\circ\text{C}$	
T_S	Ambient storage temperature	- 40 .. + 90	$^\circ\text{C}$	
R_S	Secondary coil resistance	@ $T_A = 70^\circ\text{C}$	80	Ω
		@ $T_A = 85^\circ\text{C}$	85	Ω
m	Mass	18	g	
	Standards	EN 50178: 1997		

Features

- Closed loop (compensated) current transducer using the Hall effect
- Printed circuit board mounting
- Isolated plastic case recognized according to UL 94-V0.

Advantages

- Excellent accuracy
- Very good linearity
- Low temperature drift
- Optimized response time
- Wide frequency bandwidth
- No insertion losses
- High immunity to external interference
- Current overload capability.

Applications

- AC variable speed drives and servo motor drives
- Static converters for DC motor drives
- Battery supplied applications
- Uninterruptible Power Supplies (UPS)
- Switched Mode Power Supplies (SMPS)
- Power supplies for welding applications.

Application domain

- Industrial.

Notes: ¹⁾ Measuring range limited to $\pm 60 \text{ A}_{\max}$

²⁾ Measuring range limited to $\pm 55 \text{ A}_{\max}$

³⁾ Result of the coercive field of the magnetic circuit.

Current Transducer LA 55-P

Isolation characteristics

V_d	Rms voltage for AC isolation test, 50 Hz, 1 min	2.5	kV
\hat{V}_w	Impulse withstand voltage 1.2/50 μ s	5.7	kV
		Min	
dCp	Creepage distance	5	mm
dCI	Clearance distance	5	mm
CTI	Comparative Tracking Index (group IIIa)	175	

Applications examples

According to **EN 50178** and **IEC 61010-1** standards and following conditions:

- Over voltage category OV 3
- Pollution degree PD2
- Non-uniform field

	EN 50178	IEC 61010-1
dCp, dCI, \hat{V}_w	Rated isolation voltage	Nominal voltage
Single isolation	500 V	500 V
Reinforced isolation	250 V	250 V

Safety



This transducer must be used in electric/electronic equipment with respect to applicable standards and safety requirements in accordance with the manufacturer's operating instructions.



Caution, risk of electrical shock

When operating the transducer, certain parts of the module can carry hazardous voltage (eg. primary busbar, power supply).

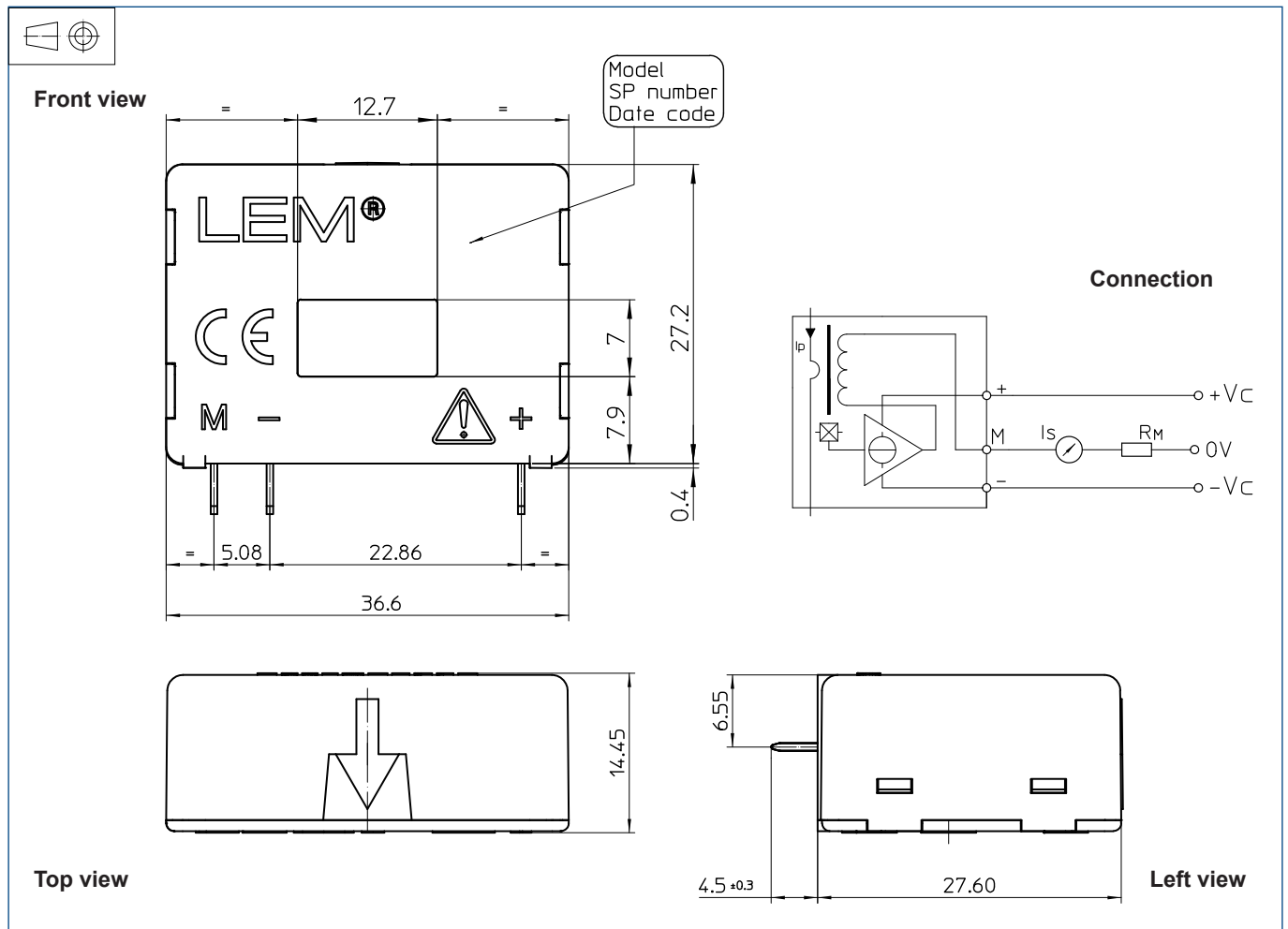
Ignoring this warning can lead to injury and/or cause serious damage.

This transducer is a build-in device, whose conducting parts must be inaccessible after installation.

A protective housing or additional shield could be used.

Main supply must be able to be disconnected.

Dimensions LA 55-P (in mm. 1 mm = 0.0394 inch)



Mechanical characteristics

- General tolerance ± 0.2 mm
- Primary through-hole 12.7 x 7 mm
- Fastening & connection of secondary 3 pins
0.63 x 0.56 mm
- Recommended PCB hole 0.9 mm

Remarks

- I_s is positive when I_p flows in the direction of the arrow.
- Temperature of the primary conductor should not exceed 90°C.
- Dynamic performances (di/dt and response time) are best with a single bar completely filling the primary hole.
- In order to achieve the best magnetic coupling, the primary windings have to be wound over the top edge of the device.
- This is a standard model. For different versions (supply voltages, turns ratios, unidirectional measurements...), please contact us.