

THE INFORMATION CONTAINED HEREIN IS CONSIDERED "PROPRIETARY" TO BEL FUSE INC. AND SHALL NOT BE COPIED, REPRODUCED OR DISCLOSED WITHOUT THE WRITTEN APPROVAL OF BEL FUSE INC.

RoHS
2002/95/EC

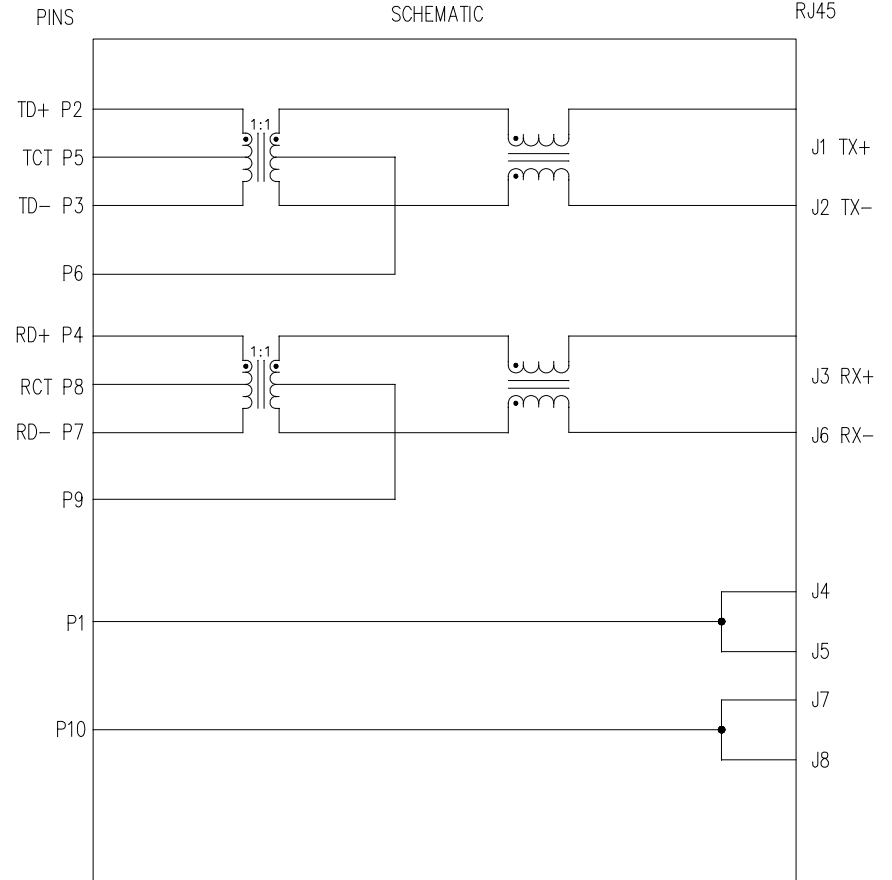


ELECTRICAL CHARACTERISTICS @ 25°C

OPERATING TEMPERATURE RANGE: -40° C TO 85° C

CURRENT CARRYING CAPABILITY ON UNUSED PAIRS: 3A MAX P9 & P10
1.5A MAX J4, J5, J7, & J8

- 1.0 TURNS RATIO: (P2-P3) : (J1-J2) : 1CT : 1CT ± 3%
(P4-P7) : (J3-J6) : 1CT : 1CT ± 3%
- 2.0 INDUCTANCE: (P2-P3) : 350uH MIN. @ 0.1V, 100KHz, 8mA DC Bias
(P4-P7) : 350uH MIN. @ 0.1V, 100KHz, 8mA DC Bias
- 3.0 DC RESISTANCE: (P2-P3); (P4-P7) : 1.2 OHMS
(J1-J2); (J3-J6) : 1.2 OHMS
- 4.0 RETURN LOSS: (P2-P3)=100 OHMS REF. AND (P4-P7)=100 OHM REF.
- 5.0 INSERTION LOSS: 1MHz TO 30MHz : 18dB MIN.
31MHz TO 80MHz : 12dB MIN.
RS & RL =100 ohms
1MHz TO 100MHz : 1.1 dB TYP
- 6.0 CROSS TALK: 1MHz - 100 MHz : 35 dB TYP
- 7.0 DIFFERENTIAL TO COMMON MODE ATTENUATION:
1MHz TO 100MHz : 40dB TYP
- 8.0 DIELECTRIC WITHSTAND: (P2-P3) TO (J1-J2) : 1500 Vrms
(P4-P7) TO (J3-J6) : 1500 Vrms



NOTES

1.0 COMPLIES WITH THE EUROPEAN DIRECTIVE 2002/95/EC, CALLING FOR THE ELIMINATION OF LEAD AND OTHER HAZARDOUS SUBSTANCES FROM ELECTRONIC PRODUCTS.

ORIGINATED BY Bain Liu	DATE 10-15-08	TITLE MagJack® 10/100BT VERTICAL, SHIELDED	PART NO. / DRAWING NO. SI-46012-F	STANDARD DIM. TOL. IN INCH	[] METRIC DIM. AS REFERENCE
DRAWN BY LW Yuan	DATE 10-15-08		FILE NAME SI-46012-F.DWG	.X .XX .XXX ±0.005	UNIT : INCH [mm] SCALE : N/A REV. : 01 SIZE : A4 PAGE : 1

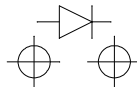


THE INFORMATION CONTAINED HEREIN IS CONSIDERED "PROPRIETARY" TO BEL FUSE INC. AND SHALL NOT BE COPIED, REPRODUCED OR DISCLOSED WITHOUT THE WRITTEN APPROVAL OF BEL FUSE INC.

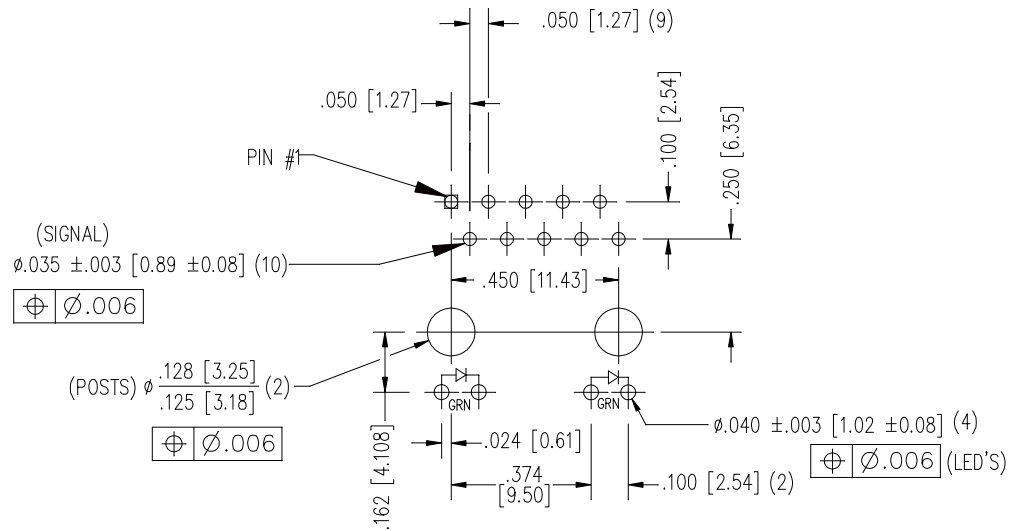
RoHS
2002/95/EC



LED POLARITY
(ENLARGED VIEW)

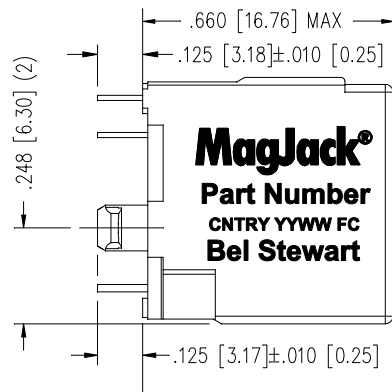


SINGLE COLOR LED

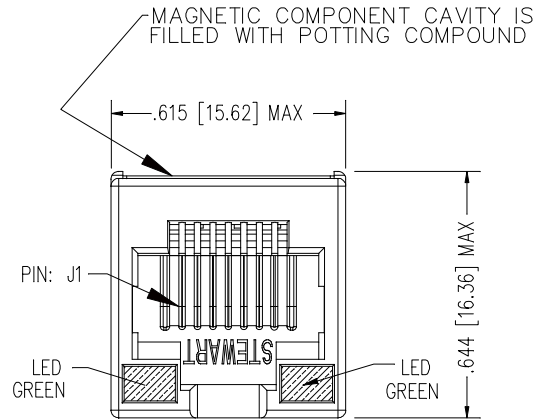


P.C.B. RECOMMENDED HOLE LAYOUT
SEEN FROM COMPONENT SIDE

ALL CENTERLINE DIMENSIONS ARE BASIC.



MagJack®
Part Number
C NTRY YYWW FC
Bel Stewart



NOTES:

- CONNECTOR MATERIALS:
HOUSING: THERMOPLASTIC UL94 V-0
CONTACT: COPPER ALLOY
CONTACT PLATING: SELECTIVE GOLD,
50 MICRO-INCHES MIN. IN CONTACT AREA.
- PIN NOT ELECTRICALLY CONNECTED MAYBE OMITTED.
SEE ELECTRICAL DRAWING FOR OMITTED PINS.
- TOLERANCES COMPLY WITH F.C.C. DIMENSION REQUIREMENTS.
- ALL TOLERANCES NOT OTHERWISE SPECIFIED TO BE ±0.005 [0.13]
- WAVE SOLDER COMPATIBLE - PREHEAT 125°C/90SECS.

LED SPECIFICATIONS						
STANDARD LED	* FORWARD VOLTAGE (MAX)	* FORWARD VOLTAGE (TYP)	POWER DISSIPATION	WAVELENGTH	LUMINOUS INTENSITY @ 10mA	
					MIN	MAX
GREEN DIFFUSED	2.6 V	2.25 V	105 mW	555 nm	2 MCD	8 MCD

* WITH A FORWARD CURRENT OF 20 mA

ORIGINATED BY Bain Liu	DATE 10-15-08	TITLE MagJack® 10/100BT VERTICAL, SHIELDED	PART NO. / DRAWING NO. SI-46012-F	STANDARD DIM. TOL. IN INCH	[] METRIC DIM. AS REFERENCE	bel COMPONENTS FOR A CONNECTED PLANET
DRAWN BY LW Yuan	DATE 10-15-08		FILE NAME SI-46012-F.DWG	.X .XX .XXX ±0.005	UNIT : INCH [mm] SCALE : N/A	