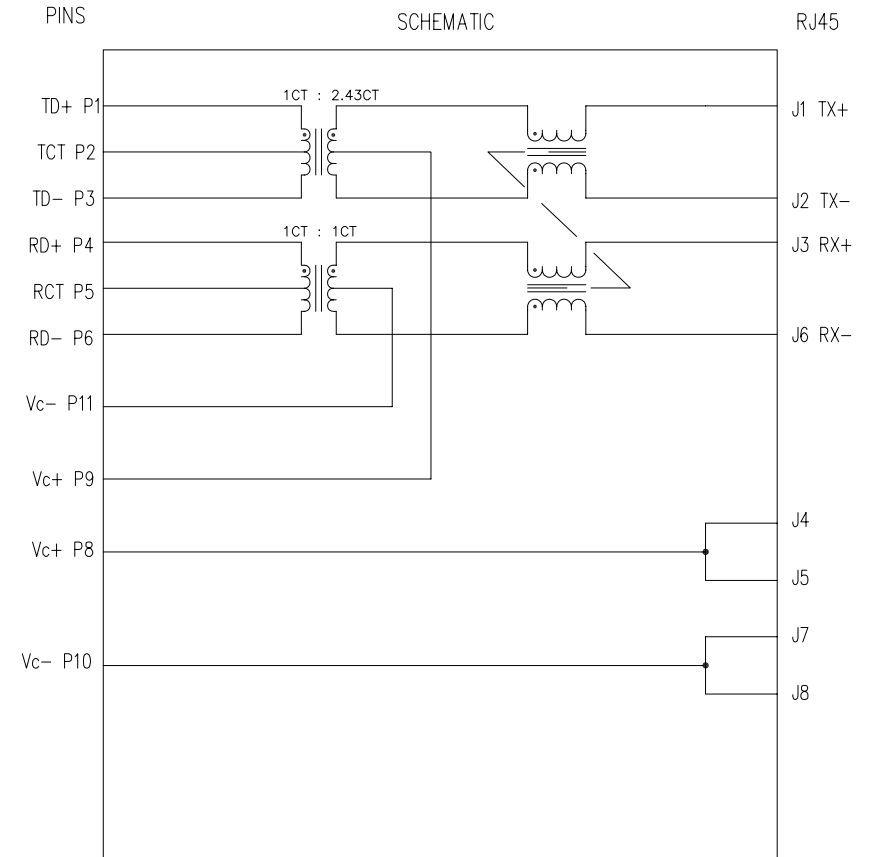


THE INFORMATION CONTAINED HEREIN IS CONSIDERED "PROPRIETARY" TO BEL FUSE INC. AND SHALL NOT BE COPIED, REPRODUCED OR DISCLOSED WITHOUT THE WRITTEN APPROVAL OF BEL FUSE INC.



ELECTRICAL CHARACTERISTICS @ 25°C

1.0 TURNS RATIO:	(P1-P3) : (J1-J2)	: 1CT : 2.43CT ± 2%
	(P4-P6) : (J3-J6)	: 1CT : 1CT ± 2%
3.0 INDUCTANCE:	(P1-P3)	: 45uH MIN. @ 0.1V, 100KHz
	(P4-P6)	: 230uH MIN. @ 0.1V, 100KHz
4.0 RETURN LOSS:	(P1-P3)=100 OHMS REF. AND (P4-P6)=100 OHM REF.	
	1MHz TO 10MHz	: -18dB MIN.
5.0 INSERTION LOSS:	RS & RL =100 ohms	
	1MHz TO 10MHz	: -1.0dB MAX
6.0 CROSS TALK:	1MHz - 10 MHz	: -40dB MIN
7.0 CM TO CM ATTENUATION:	10MHz - 30 MHz	: -40dB MIN
	100MHz	: -30dB MIN
8.0 DIELECTRIC WITHSTAND:	(P1-P3) TO (J1-J2)	: 1500 Vrms
	(P4-P6) TO (J3-J6)	: 1500 Vrms



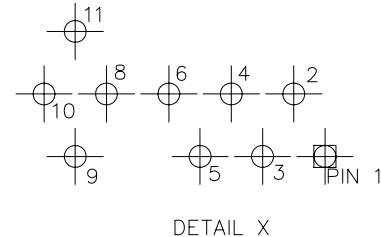
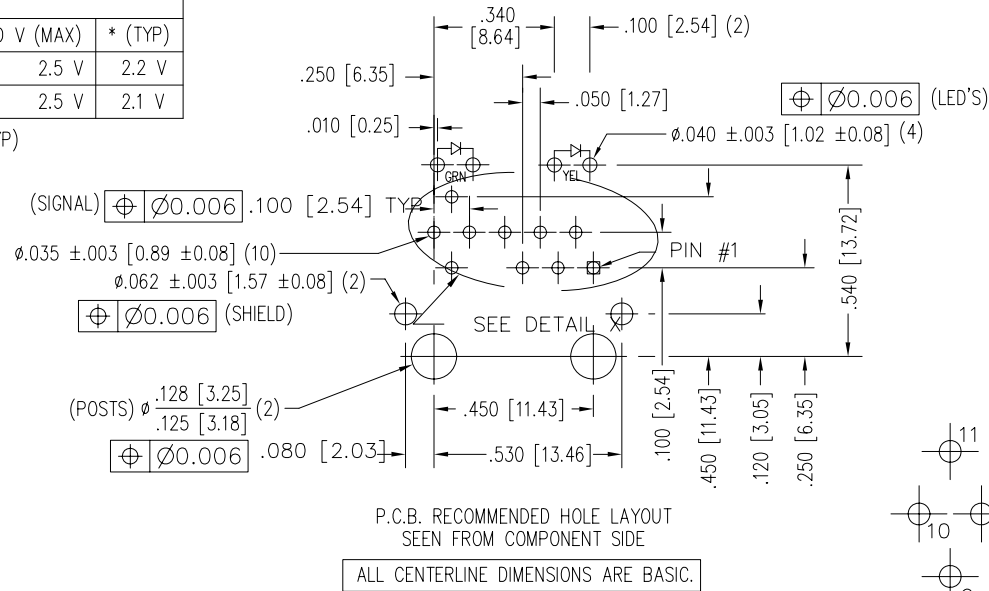
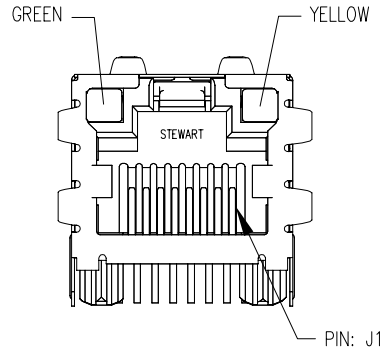
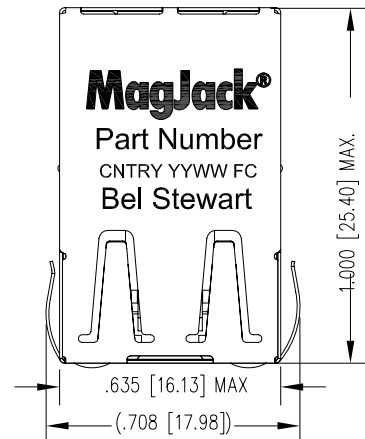
ORIGINATED BY Bain Liu	DATE 12-10-08	TITLE MagJack® POE TAB UP, SHIELDED	PART NO. / DRAWING NO. SI-52004-F	STANDARD DIM. TOL. IN INCH	[] METRIC DIM. AS REFERENCE		bel COMPONENTS FOR A CONNECTED PLANET
	DRAWN BY LW Yuan		DATE 12-10-08	FILE NAME SI-52004-F.DWG	.X .XX .XXX	UNIT : INCH [mm] SCALE : N/A ⊕	

THE INFORMATION CONTAINED HEREIN IS CONSIDERED "PROPRIETARY" TO BEL FUSE INC. AND SHALL NOT BE COPIED, REPRODUCED OR DISCLOSED WITHOUT THE WRITTEN APPROVAL OF BEL FUSE INC.



LED SPECIFICATION				
STANDARD LED	WAVELENGTH	FORWARD V (MAX)	* (TYP)	
GREEN	565 nm	2.5 V	2.2 V	
YELLOW	590 nm	2.5 V	2.1 V	

*WITH A FORWARD CURRENT OF 20 mA (TYP)



NOTES:

- CONNECTOR MATERIALS:
HOUSING: THERMOPLASTIC UL94 V-0
CONTACT/SHIELD: COPPER ALLOY
SHIELD PLATING: NICKEL OR TIN
CONTACT PLATING: SELECTIVE GOLD,
50 MICRO-INCHES MIN. IN CONTACT AREA.
- PIN NOT ELECTRICALLY CONNECTED MAYBE OMITTED.
SEE ELECTRICAL DRAWING FOR OMITTED PINS.
- TOLERANCES COMPLY WITH F.C.C. DIMENSION REQUIREMENTS.
- ALL TOLERANCES NOT OTHERWISE SPECIFIED TO BE $\pm .005$ [0.13]
- REFLOW AND WAVE SOLDER COMPATIBLE -260°C FOR 10 SECONDS MAX.

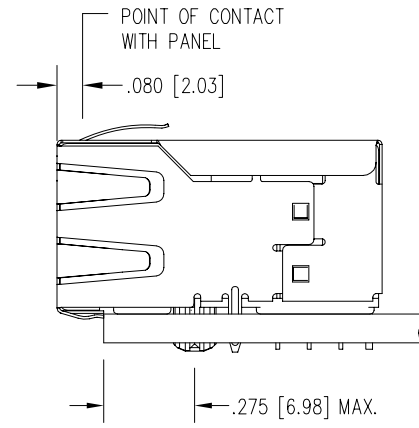
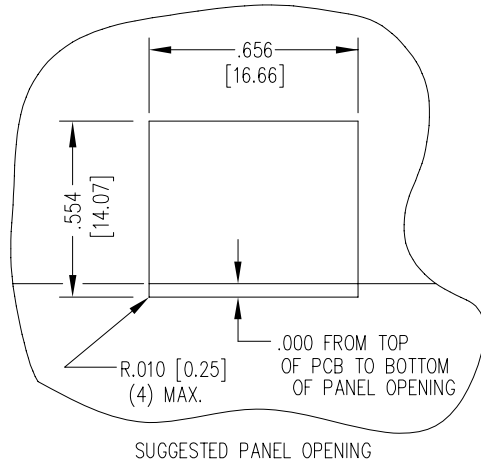
ORIGINATED BY	DATE	TITLE
Bain Liu	12-10-08	 POE TAB UP, SHIELDED
DRAWN BY	DATE	
LW Yuan	12-10-08	

PART NO. / DRAWING NO.	STANDARD DIM.	[] METRIC DIM. AS REFERENCE
SI-52004-F	TOL. IN INCH	UNIT : INCH [mm]
FILE NAME	.X	SCALE : N/A
SI-52004-F.DWG	.XX	REV. : 01
	.XXX	SIZE : A4
	± 0.005	PAGE : 3

--	--



THE INFORMATION CONTAINED HEREIN IS CONSIDERED "PROPRIETARY" TO BEL FUSE INC. AND SHALL NOT BE COPIED, REPRODUCED OR DISCLOSED WITHOUT THE WRITTEN APPROVAL OF BEL FUSE INC.



1. THE SUGGESTED PANEL OPENING IS INTENDED TO GIVE THE USER THE ABILITY TO HAVE REASONABLE JACK / PANEL CLEARANCES YET MAINTAIN RELIABLE GROUNDING CAPABILITY.
2. ALL TOLERANCES NOT OTHERWISE SPECIFIED TO BE ± 0.005 [0.13]

ORIGINATED BY Bain Liu	DATE 12-10-08	TITLE MagJack® POE TAB UP, SHIELDED	PART NO. / DRAWING NO. SI-52004-F	STANDARD DIM. TOL. IN INCH	[] METRIC DIM. AS REFERENCE		bel COMPONENTS FOR A CONNECTED PLANET
DRAWN BY LW Yuan	DATE 12-10-08		FILE NAME SI-52004-F.DWG	.X .XX .XXX	UNIT : INCH [mm] SCALE : N/A PAGE : 4	REV. : 01 SIZE : A4	

REV A1 06-30-2008

This document is electronically generated. This is a controlled copy if used internally