

THE INFORMATION CONTAINED HEREIN IS CONSIDERED "PROPRIETARY" TO BEL FUSE INC. AND SHALL NOT BE COPIED, REPRODUCED OR DISCLOSED WITHOUT THE WRITTEN APPROVAL OF BEL FUSE INC.

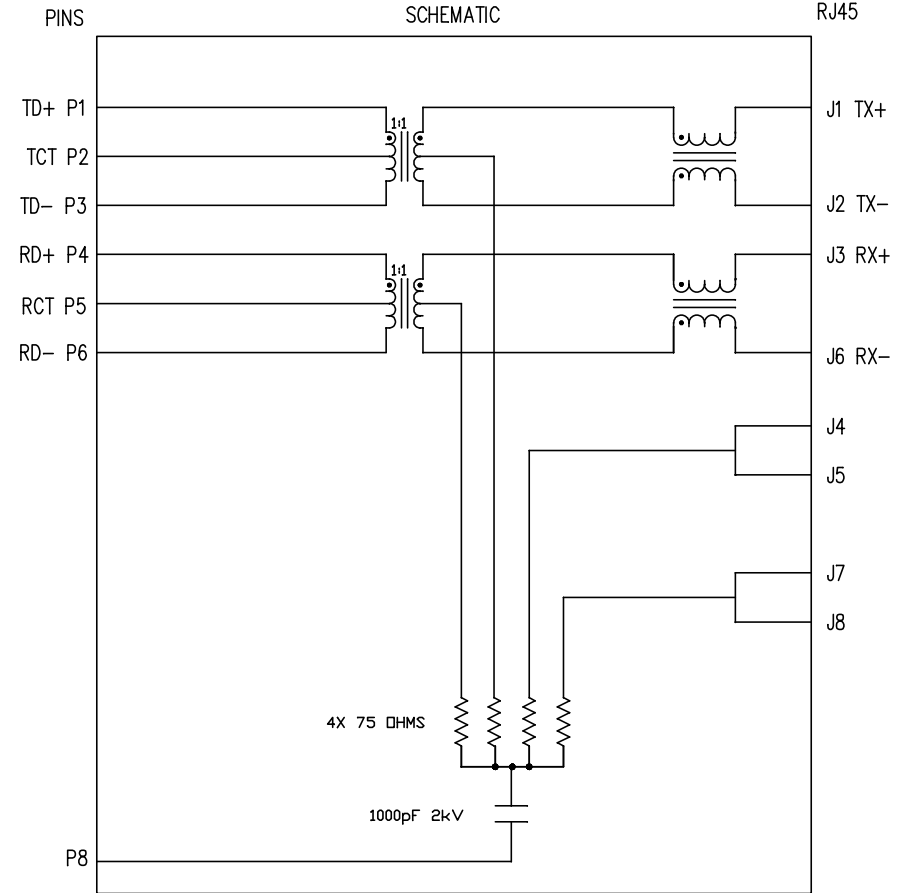
RoHS



ELECTRICAL CHARACTERISTICS @ 25° C

ELECTRICAL SPECIFICATIONS:

- 1.0 TURNS RATIO: (P6-P5-P4) : (J6-J3) : 1CT : 1CT ± 3%  
(P3-P2-P1) : (J2-J1) : 1CT : 1CT ± 3%
  - 2.0 INDUCTANCE: (P6-P4) : 350uH MIN. @ 0.1V, 100KHz, 8mA DC Bias  
(P3-P1) : 350uH MIN. @ 0.1V, 100KHz, 8mA DC Bias
  - 3.0 LEAKAGE INDUCTANCE: P6-P4 (WITH J6 AND J3 SHORT) : 0.3uH MAX. @ 1MHz  
P3-P1 (WITH J2 AND J1 SHORT) : 0.3uH MAX. @ 1MHz
  - 4.0 INTERWINDING CAPACITANCE: (P6,P5,P4) TO (J6,J3) : 30pf MAX @ 1MHz  
(P3,P2,P1) TO (J2,J1) : 30pf MAX. @ 1MHz
  - 5.0 DC RESISTANCE: (J6-J3)=(J2-J1) : 1.2 ohms Max.
- RECEIVE
- 6.0 RETURN LOSS: 1MHz TO 30MHz : 18dB MIN.  
60MHz TO 80MHz : 12dB MIN.
- NOTE: 100 OHMS CONNECTED TO (J2-J1) OR (J6-J3).
- 7.0 DIELECTRIC WITHSTAND: (J1, J2) TO (P1, P3) : 1500 Vrms  
(J3, J6) TO (P4,P6) : 1500 Vrms
  - 8.0 INSERTION LOSS: RS=RL=100 ohms : 1.1 dB TYP  
100KHz TO 100MHz
  - 9.0 RISE TIME: RS=100 OHMS AND RL = 100 OHMS : 3.0 nS MAX  
OUTPUT VOLTAGE = 1 V peak : 3.0 nS MAX  
PULSE WIDTH= 112nS
  - 10.0 CROSS TALK: 1MHz TO 100MHz : 40 dB TYP
  - 11.0 COMMON TO COMMON MODE ATTENUATION:  
30MHz TO 100MHz : 35dB TYP



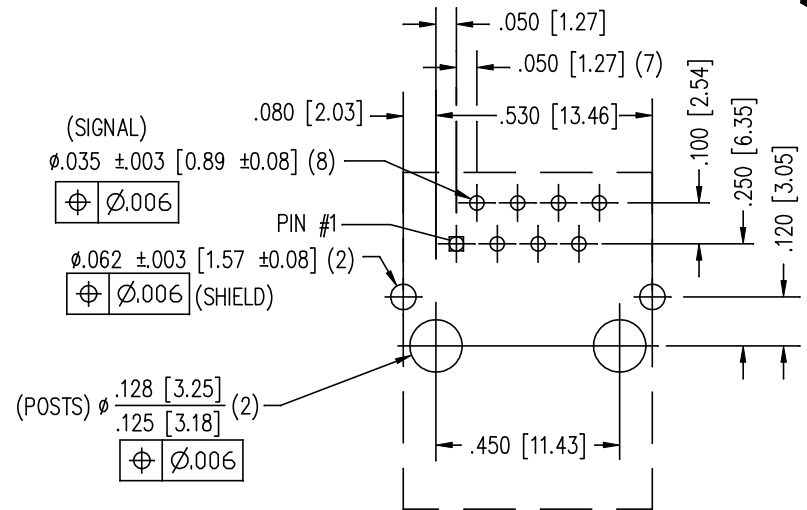
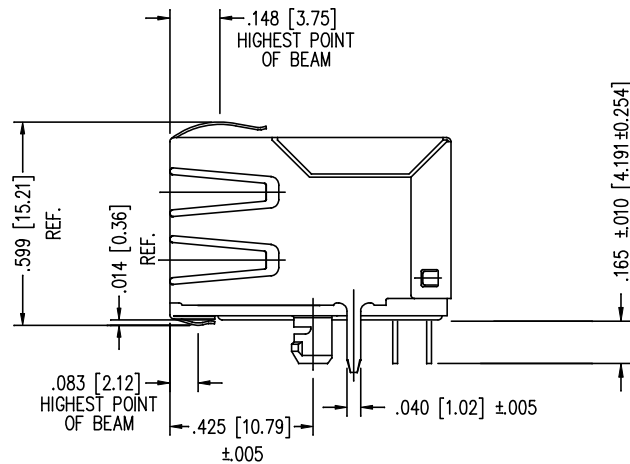
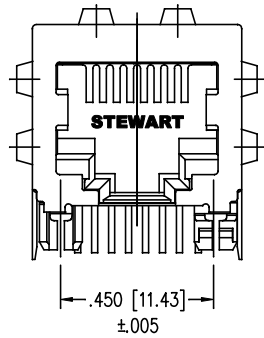
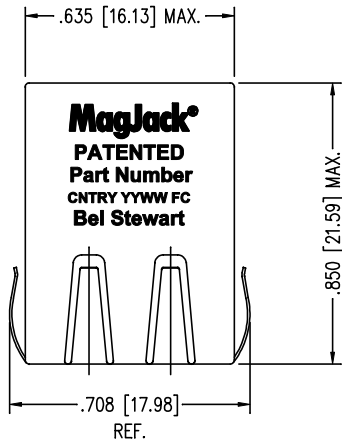
NOTES

1.0 PINS WITHOUT ELECTRICAL CONNECTION ARE OMITTED.

|                |            |  |                        |               |                              |           |   |
|----------------|------------|--|------------------------|---------------|------------------------------|-----------|---|
| ORIGINATED BY  | DATE       | TITLE  | PART NO. / DRAWING NO. | STANDARD DIM. | [ ] METRIC DIM. AS REFERENCE |           | <br><b>bel</b><br>COMPONENTS FOR A<br>CONNECTED<br>PLANET |
| Zeng Xiao Chun | 2011-11-09 | <b>MagJack®</b><br>10/100BT,<br>TAP UP, SHIELDED<br>PATENTED | SI-60084-F             | TOL. IN INCH  | UNIT : INCH [mm]             | REV. : A0 |   |
| DRAWN BY       | DATE       |  | FILE NAME              | .X            | SCALE : N/A                  | SIZE : A4 |   |
| Duan Jun       | 2011-11-09 |  | SI-60084-F.DWG         | .XX           | ±0.005                       | PAGE : 2  |   |
|                |            |  |                        | .XXX          |                              |           |   |

THE INFORMATION CONTAINED HEREIN IS CONSIDERED "PROPRIETARY" TO BEL FUSE INC. AND SHALL NOT BE COPIED, REPRODUCED OR DISCLOSED WITHOUT THE WRITTEN APPROVAL OF BEL FUSE INC.

RoHS



P.C.B. RECOMMENDED HOLE LAYOUT  
SEEN FROM COMPONENT SIDE

ALL CENTERLINE DIMENSIONS ARE BASIC.

NOTES:

- CONNECTOR MATERIALS:  
HOUSING: THERMOPLASTIC UL94 V-0  
CONTACT/SHIELD: COPPER ALLOY  
SHIELD PLATING: NICKEL OR TIN  
CONTACT PLATING: SELECTIVE GOLD,  
50 MICRO-INCHES MIN. IN CONTACT AREA.
- PIN NOT ELECTRICALLY CONNECTED MAYBE OMITTED.  
SEE ELECTRICAL DRAWING FOR OMITTED PINS.
- TOLERANCES COMPLY WITH F.C.C. DIMENSION REQUIREMENTS.
- ALL TOLERANCES NOT OTHERWISE SPECIFIED TO BE ±.005 [0.13]
- WAVE SOLDER COMPATIBLE - PREHEAT 125°C/90SECS.

|                |            |  |
|----------------|------------|--|
| ORIGINATED BY  | DATE       | TITLE  |
| Zeng Xiao Chun | 2011-11-09 | <b>MagJack®</b><br>10/100BT,<br>TAP UP, SHIELDED<br>PATENTED |
| DRAWN BY       | DATE       |  |
| Duan Jun       | 2011-11-09 |  |

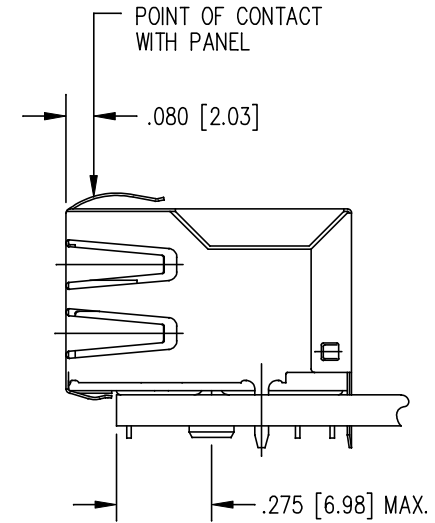
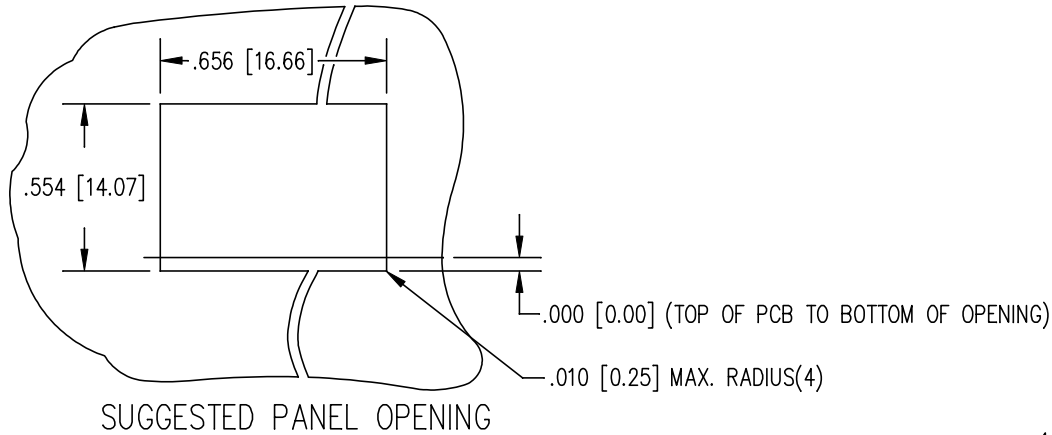
|                        |               |                              |
|------------------------|---------------|------------------------------|
| PART NO. / DRAWING NO. | STANDARD DIM. | [ ] METRIC DIM. AS REFERENCE |
| SI-60084-F             | TOL. IN INCH  | UNIT : INCH [mm]             |
| FILE NAME              | .X            | REV. : A0                    |
| SI-60084-F.DWG         | .XX           | SCALE : N/A                  |
|                        | .XXX          | ±0.005                       |
|                        |               |                              |

|           |           |
|-----------|-----------|
| REV. : A0 | SIZE : A4 |
| SIZE : A4 | PAGE : 3  |



THE INFORMATION CONTAINED HEREIN IS CONSIDERED "PROPRIETARY" TO BEL FUSE INC. AND SHALL NOT BE COPIED, REPRODUCED OR DISCLOSED WITHOUT THE WRITTEN APPROVAL OF BEL FUSE INC.

RoHS



1. THE SUGGESTED PANEL OPENING IS INTENDED TO GIVE THE USER THE ABILITY TO HAVE REASONABLE JACK / PANEL CLEARANCES YET MAINTAIN RELIABLE GROUNDING CAPABILITY.
2. ALL TOLERANCES NOT OTHERWISE SPECIFIED TO BE  $\pm 0.005$  [0.13]

|                |            |  |                        |               |                              |           |
|----------------|------------|--|------------------------|---------------|------------------------------|-----------|
| ORIGINATED BY  | DATE       | TITLE  | PART NO. / DRAWING NO. | STANDARD DIM. | [ ] METRIC DIM. AS REFERENCE |           |
| Zeng Xiao Chun | 2011-11-09 | <b>MagJack®</b><br>10/100BT,<br>TAP UP, SHIELDED<br>PATENTED | SI-60084-F             | TOL. IN INCH  | UNIT : INCH [mm]             | REV. : A0 |
| DRAWN BY       | DATE       |  | FILE NAME              | .X            | SCALE : N/A                  | SIZE : A4 |
| Duan Jun       | 2011-11-09 |  | SI-60084-F.DWG         | .XX           | ±0.005                       | PAGE : 4  |

