

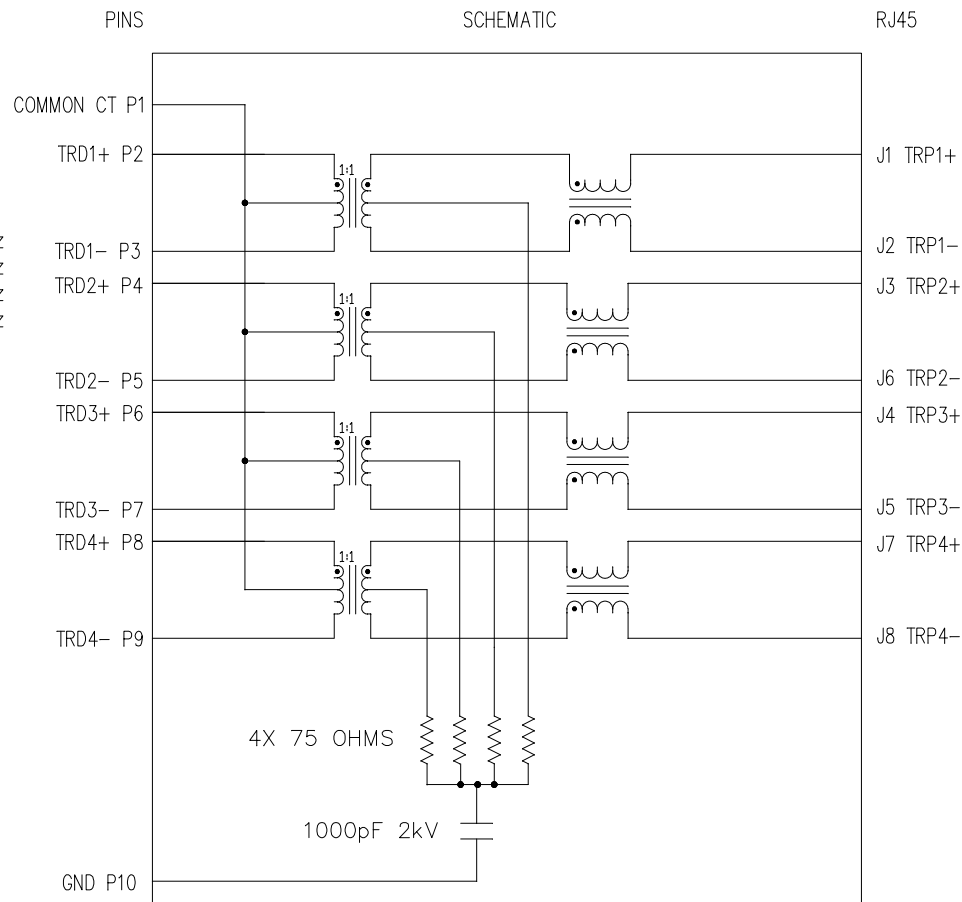
THE INFORMATION CONTAINED HEREIN IS CONSIDERED "PROPRIETARY" TO BEL FUSE INC. AND SHALL NOT BE COPIED, REPRODUCED OR DISCLOSED WITHOUT THE WRITTEN APPROVAL OF BEL FUSE INC.



**ELECTRICAL CHARACTERISTICS @ 25°C**

OPERATING TEMPERATURE RANGE: 0°C TO +70°C

- 1.0 TURNS RATIO: (P3-P2):(J2-J1) : 1CT:1CT±3%  
 (P5-P4):(J6-J3) : 1CT:1CT±3%  
 (P7-P6):(J5-J4) : 1CT:1CT±3%  
 (P9-P8):(J8-J7) : 1CT:1CT±3%
- 2.0 INDUCTANCE: (P3-P2):(P5-P4) : 350uH MIN. @ 0.1V, 100kHz, 8mA DC BIAS  
 (P7-P6):(P9-P8) : 350uH MIN. @ 0.1V, 100kHz, 8mA DC BIAS
- 3.0 LEAKAGE INDUCTANCE: P3-P2(WITH J2 AND J1 SHORT) : 0.3uH MAX. @ 1 MHz  
 P5-P4(WITH J6 AND J3 SHORT) : 0.3uH MAX. @ 1 MHz  
 P7-P6(WITH J5 AND J4 SHORT) : 0.3uH MAX. @ 1 MHz  
 P9-P8(WITH J8 AND J7 SHORT) : 0.3uH MAX. @ 1 MHz
- 4.0 INTERWINDING CAPACITANCE: (P3-P2):(J2-J1) : 85pF MAX @ 1MHz  
 (P5-P4):(J6-J3) : 85pF MAX @ 1MHz  
 (P7-P6):(J5-J4) : 85pF MAX @ 1MHz  
 (P9-P8):(J8-J7) : 85pF MAX @ 1MHz
- 5.0 DC RESISTANCE:(J6-J3)=(J2-J1)=(J4-J5)=(J7-J8) : 1.2 OHMS MAX
- 6.0 RETURN LOSS:1MHz TO 30MHz : 18dB MIN.  
 30MHz TO 80MHz : 12-20 LOG( $\frac{F}{80MHz}$ )
- 7.0 DIELECTRIC WITHSTAND:(J1,J2) TO (P2,P3) ; (J5,J4) TO (P6-P5) : 1500 Vrms  
 (J3,J6) TO (P7,P4) ; (J8,J7) TO (P9, P8) : 1500 Vrms
- 8.0 INSERTION LOSS:RS=RL=100 ohms : 1.1 dB MAX  
 100kHz TO 100MHz
- 9.0 RISE TIME:RS=100 OHMS AND RL = 100 OHMS : 3.0 nS MAX  
 OUTPUT VOLTAGE = 1 V peak : 3.0 nS MAX  
 PULSE WIDTH= 112nS
- 10.0 CROSS TALK:1-60 MHz : 35 dB MIN  
 60-100 MHz : 25 dB MIN
- 11.0 COMMON TO COMMON MODE ATTENUATION:1MHz TO 100MHz : 35dB TYP

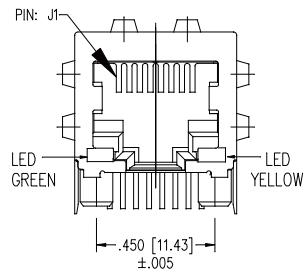
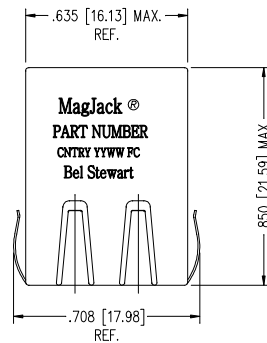


NOTES: PINS WITHOUT ELECTRICAL CONNECTION ARE OMITTED.

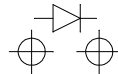
ORIGINATED BY	DATE	TITLE	PART NO. / DRAWING NO.	STANDARD DIM.	[ ] METRIC DIM. AS REFERENCE		 COMPONENTS FOR A CONNECTED PLANET
Bain Liu	10-21-08	<b>MagJack®</b> 10/100/1000BT TAB DOWN, SHIELDED	SI-61001-F	TOL. IN INCH	UNIT : INCH [mm]	REV. : B	
DRAWN BY	DATE		FILE NAME	.X	SCALE : N/A	SIZE : A4	
L.W. Yuan	10-21-08		SI-61001-F.DWG	.XX	±0.005	PAGE : 1	
					.XXX		

THE INFORMATION CONTAINED HEREIN IS CONSIDERED "PROPRIETARY" TO BEL FUSE INC. AND SHALL NOT BE COPIED, REPRODUCED OR DISCLOSED WITHOUT THE WRITTEN APPROVAL OF BEL FUSE INC.

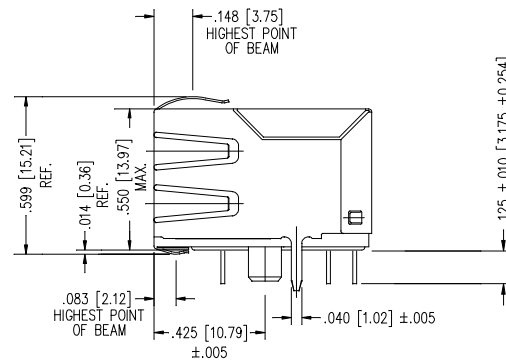
RoHS  
2002/95/EC



LED POLARITY  
(ENLARGED VIEW)

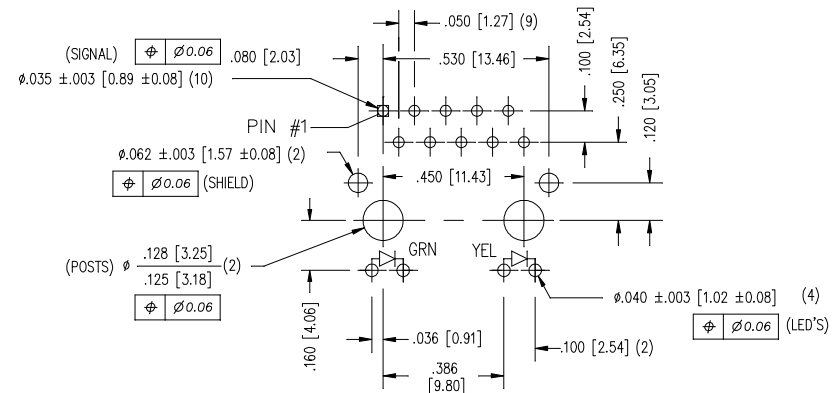


SINGLE COLOR LED



LED SPECIFICATION			
STANDARD LED	WAVELENGTH	FORWARD V (MAX)	* (TYP)
GREEN	565 nm	2.5 V	2.2 V
YELLOW	590 nm	2.5 V	2.1 V

\*WITH A FORWARD CURRENT OF 20 mA (TYP)



P.C.B. RECOMMENDED HOLE LAYOUT  
SEEN FROM COMPONENT SIDE

ALL CENTERLINE DIMENSIONS ARE BASIC.

NOTES:

- CONNECTOR MATERIALS:  
HOUSING: THERMOPLASTIC UL94 V-0  
CONTACT/SHIELD: COPPER ALLOY  
SHIELD PLATING: NICKEL OR TIN  
CONTACT PLATING: SELECTIVE GOLD,  
50 MICRO-INCHES MIN. IN CONTACT AREA.
- PIN NOT ELECTRICALLY CONNECTED MAYBE OMITTED.  
SEE ELECTRICAL DRAWING FOR OMITTED PINS.
- TOLERANCES COMPLY WITH F.C.C. DIMENSION REQUIREMENTS.
- ALL TOLERANCES NOT OTHERWISE SPECIFIED TO BE ±.005 [0.13]
- REFLOW AND WAVE SOLDER COMPATIBLE-260°C FOR 10 SECONDS MAX.

ORIGINATED BY Bain Liu	DATE 10-21-08
DRAWN BY L.W. Yuan	DATE 10-21-08

TITLE <b>MagJack®</b> 10/100/1000BT TAB DOWN, SHIELDED
---

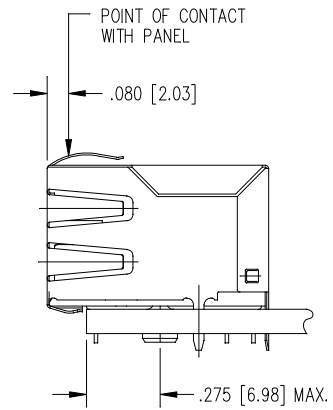
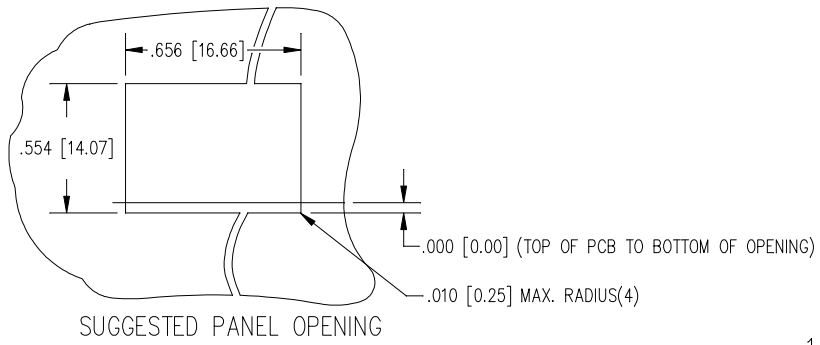
PART NO. / DRAWING NO. SI-61001-F
FILE NAME SI-61001-F.DWG

STANDARD DIM. TOL. IN INCH
.X
.XX
.XXX ±0.005

[ ] METRIC DIM. AS REFERENCE	REV. : B
UNIT : INCH [mm]	SIZE : A4
SCALE : N/A	PAGE : 2



THE INFORMATION CONTAINED HEREIN IS CONSIDERED "PROPRIETARY" TO BEL FUSE INC. AND SHALL NOT BE COPIED, REPRODUCED OR DISCLOSED WITHOUT THE WRITTEN APPROVAL OF BEL FUSE INC.



1. THE SUGGESTED PANEL OPENING IS INTENDED TO GIVE THE USER THE ABILITY TO HAVE REASONABLE JACK / PANEL CLEARANCES YET MAINTAIN RELIABLE GROUNDING CAPABILITY.
2. ALL TOLERANCES NOT OTHERWISE SPECIFIED TO BE  $\pm 0.005$  [0.13]

ORIGINATED BY Bain Liu	DATE 10-21-08	TITLE <b>MagJack®</b> 10/100/1000BT TAB DOWN, SHIELDED	PART NO. / DRAWING NO. SI-61001-F	STANDARD DIM. TOL. IN INCH	[ ] METRIC DIM. AS REFERENCE	bel COMPONENTS FOR A CONNECTED PLANET
DRAWN BY L.W. Yuan	DATE 10-21-08		FILE NAME SI-61001-F.DWG	.X .XX .XXX	UNIT : INCH [mm] SCALE : N/A ±0.005	