

# Ceramic SMD Crystal



Model: FX252BS Series

RoHS Compliant / Pb Free

Rev. 9/24/2012

Page 1 of 2

[http://www.foxonline.com/need\\_a\\_sample.htm](http://www.foxonline.com/need_a_sample.htm)

Need a Sample<sup>®</sup>

## FEATURES

- Ultra Low Profile
- Fundamental

## OPTIONS

- Tolerances to  $\pm 10$  PPM
- Stabilities to  $\pm 10$  PPM
- Temp Range to  $-40^{\circ}\text{C} \sim +85^{\circ}\text{C}$

## • PART NUMBER

Part Number	Model Number	Frequency Range (MHz)
637S-Frequency-xxxxx	FX252BS	12.000 ~ 80.000

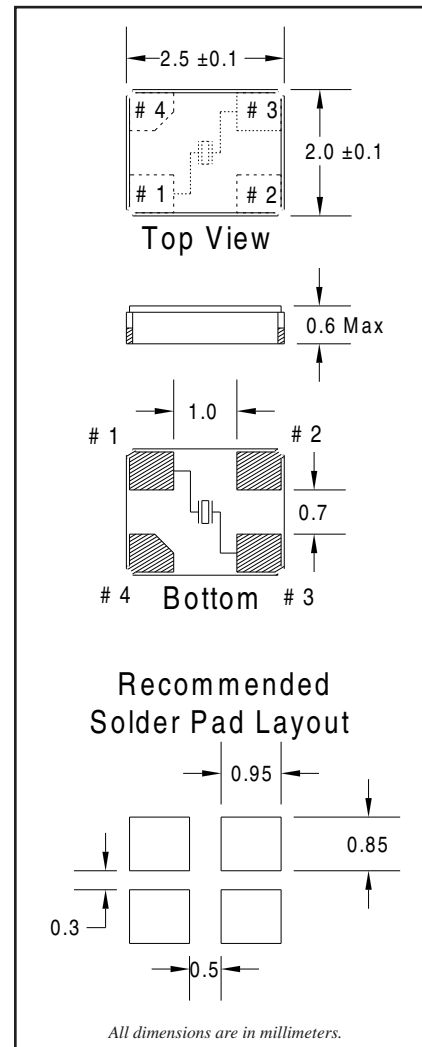
## • STANDARD SPECIFICATIONS

PARAMETERS	MAX (unless otherwise noted)
Frequency Range	12.000 ~ 80.000 MHz
Frequency Tolerance @ 25°C	$\pm 50$ PPM <sup>1</sup>
Frequency Stability, ref @ 25°C Over Operating Temp Range	$\pm 50$ PPM <sup>1</sup>
Temperature Range	
Operating (TOPR)	$-10^{\circ}\text{C} \sim +60^{\circ}\text{C}$ <sup>1</sup>
Storage (TSTG)	$-40^{\circ}\text{C} \sim +85^{\circ}\text{C}$
Shunt Capacitance (Co)	5 pF
Load Capacitance (CL)	10 pF~Series (Customer Specified)
Drive Level	100 $\mu\text{W}$
Aging per year	$\pm 5$ PPM
Reflow Soldering Temperature	260°C x 10 Seconds (2 Cycles)
Moisture Sensitivity Level (MSL)	1
Termination Finish	Au over Ni

<sup>1</sup> Tolerances and stabilities to  $\pm 10$  PPM, operating temps to  $-40^{\circ}\text{C} \sim 85^{\circ}\text{C}$  available.  
 Note: Dimensional drawing is for reference to critical specifications defined by size measurements. Certain non-critical visual attributes, such as side castellations, etc. may vary.  
 The above specifications, having been carefully prepared and checked, is believed to be accurate at the time of publication; however, no responsibility is assumed by Fox Electronics for inaccuracies.  
 All specifications subject to change without notice.

Developed Frequencies	
16.000	19.200
19.680	19.800
24.000	26.000
32.000	48.000
54.000	

Frequency Range (MHz)	Operating Mode	Max ESR $\Omega$
12.000 ~ 15.999999	Fundamental	150
16.000 ~ 19.999999	Fundamental	100
20.000 ~ 29.999999	Fundamental	80
30.000 ~ 80.000	Fundamental	50



# Ceramic SMD Crystal



Model: FX252BS Series

RoHS Compliant / Pb Free

Rev. 9/24/2012

Page 2 of 2

[http://www.foxonline.com/need\\_a\\_sample.htm](http://www.foxonline.com/need_a_sample.htm)



• TAPE SPECIFICATIONS(millimeters)							
MODEL	A	B	C	D	E	F	STD Reel QTY
FX252BS	∅1.5	4.0	4.0	3.5	8.0	0.65	3,000

• REEL SPECIFICATIONS(millimeters)							
MODEL	G	H	H	J	K	L	M
FX252BS	2.0	∅13	∅21	∅60	∅180	9.0	2.0

