

# Filtered Mini-DIN Connectors

Filtered mini-DIN connectors are available in several configurations and sizes. These are “drop-in” replacements for standard unfiltered connectors with matched footprints. Housings are made of high temperature UL94V-0 rated thermoplastic material. Connectors are available with full metal shields and kinked or straight ground tabs. Each size can be shielded or filtered with ferrites.

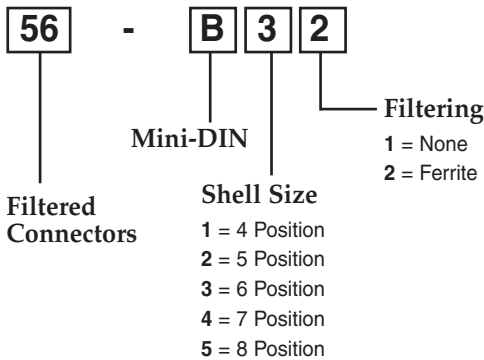
Primary applications are in computer keyboard and mouse connections.

## Features

- Audio, video and computer equipment
- Drop-in replacement for unfiltered connectors
- Shielded, ferrite or capacitive filtering

## Ordering Information

Example: **56-B32-000-S**

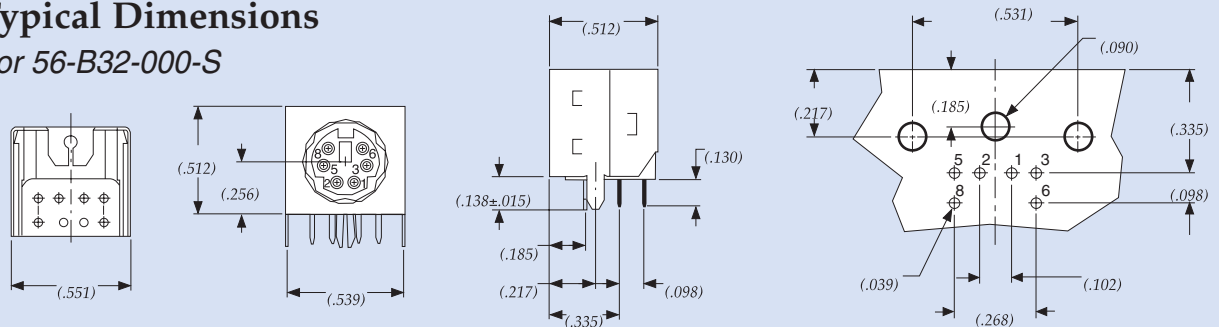


## Specifications

<i>Contacts</i>	.....	Copper alloy, gold over nickel plating
<i>Shield</i>	.....	Brass, tin plated
<i>Housing</i>	.....	.94V-0 rated thermoplastic, black
<i>Current rating</i>	.....	1A @ 12 VDC
<i>DWV</i>	.....	.500 VDC
<i>Insulation Resistance</i>	.....	.500MOhms min
<i>Operating Temp</i>	.....	-25°C to +70°C
<i>Typical Ferrite Impedance</i>	.....	.20-22 Ohm @ 100 MHz
<i>Typical insertion loss</i>	.....	.32 db @ 200 MHz

## Typical Dimensions

For 56-B32-000-S



RECOMMENDED PC BOARD LAYOUT

Dimensions in inches (mm)