



DOCUMENT / PART NO.: SI-50230-G

TITLE : SPECIAL, EPP 918A, TAB UP, SHIELDED

ISSUE	DESCRIPTION OF CHANGE	REVIEWED BY	APPROVED BY	ECN#
A0	Use new format and production release.	David Chan	Steve Weller	06302

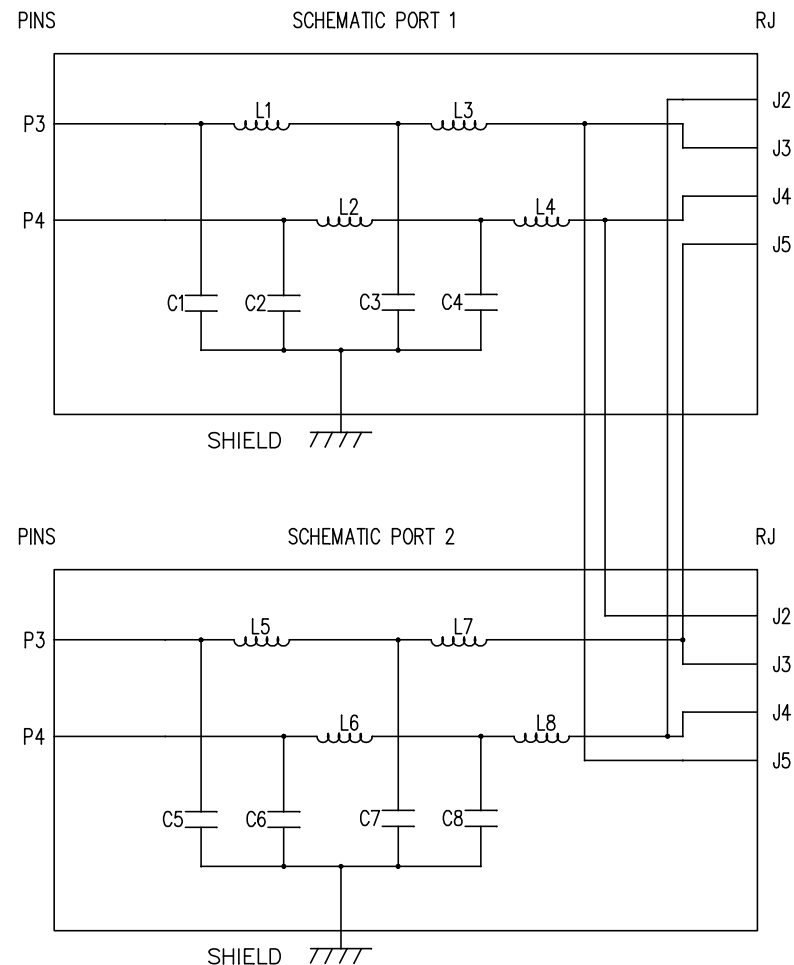
PAGE	1	2	3	4	--	--	--	--	--	--	--	--	--	--	--	--	--	
REV.	A0	A0	A0	A0	--	--	--	--	--	--	--	--	--	--	--	--	--	
PAGE	--	--	--	--	--	--	--	--	--	--	--	--	--	C1022-G REV A0				
REV.	--	--	--	--	--	--	--	--	--	--	--	--	--	24-0472-G REV A0				

THE INFORMATION CONTAINED HEREIN IS CONSIDERED "PROPRIETARY" TO BEL FUSE INC. AND SHALL NOT BE COPIED, REPRODUCED OR DISCLOSED WITHOUT THE WRITTEN APPROVAL OF BEL FUSE INC.



ELECTRICAL CHARACTERISTICS

1.0 IMPEDANCE J3, J4: 100KHz 10MHz	60 OHMS MIN., 100 OHMS MAX. 175 OHMS MIN.
2.0 CURRENT CAPACITY:	500mA MAX.
3.0 CAPACITANCE: 10 nF nominal	P3-P4 1KHZ



ORIGINATED BY Bain Liu	DATE 03-30-09
DRAWN BY LW Yuan	DATE 03-30-09

TITLE MagJack® SPECIAL, EPP 918A TAB UP, SHIELDED

PART NO. / DRAWING NO. SI-50230-G
FILE NAME SI-50230-G.DWG

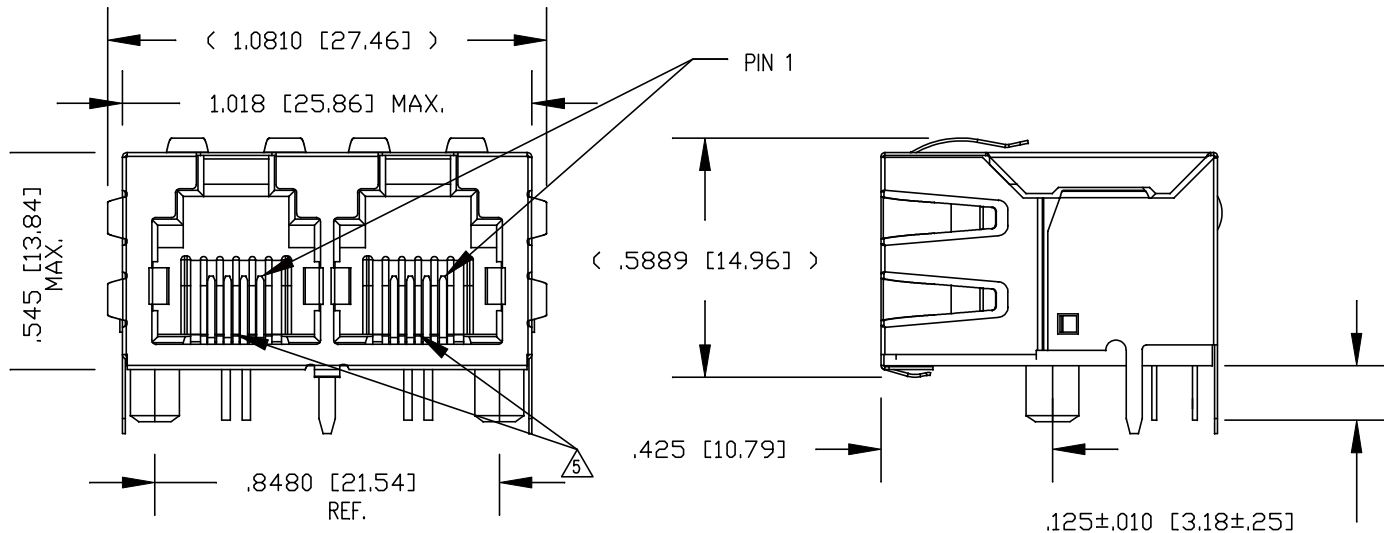
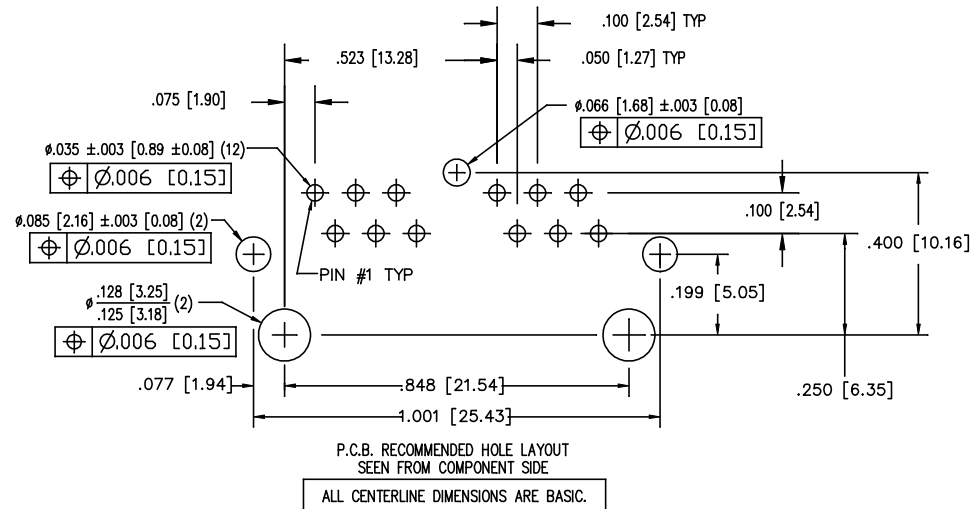
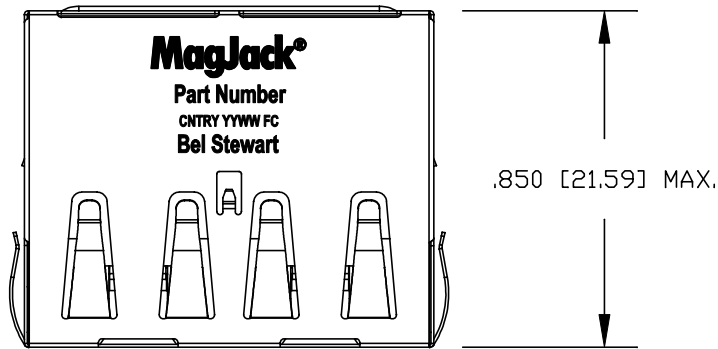
STANDARD DIM. TOL. IN INCH	[] METRIC DIM. AS REFERENCE
.X	UNIT : INCH [mm]
.XX	SCALE : N/A
.XXX	±0.005

REV. : A0
SIZE : A4
PAGE : 2



THE INFORMATION CONTAINED HEREIN IS CONSIDERED "PROPRIETARY" TO BEL FUSE INC. AND SHALL NOT BE COPIED, REPRODUCED OR DISCLOSED WITHOUT THE WRITTEN APPROVAL OF BEL FUSE INC.

RoHS
2002/95/EC



NOTES:

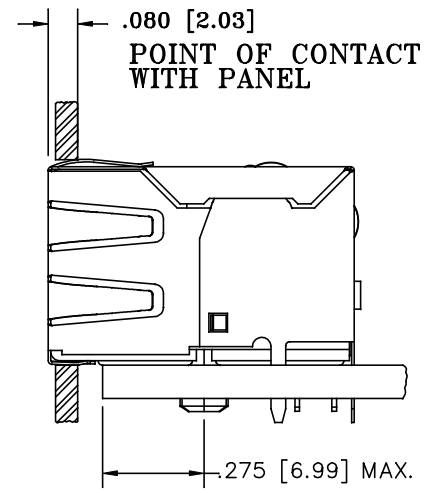
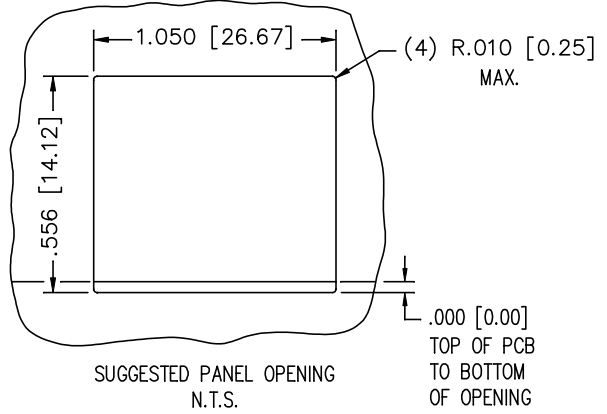
- CONNECTOR MATERIALS:
HOUSING: THERMOPLASTIC UL94-V0
CONTACT/SHIELD: COPPER ALLOY
SHIELD PLATING: NICKEL OR TIN
CONTACT PLATING: SELECTIVE GOLD,
50 μINCHES MIN. IN CONTACT AREA
- PIN NOT ELECTRICALLY CONNECTED MAYBE OMITTED.
SEE ELECTRICAL DRAWING FOR OMITTED PINS.
- TOLERANCES COMPLY WITH F.C.C. DIMENSION REQUIREMENTS.
- WAVE SOLDER COMPATIBLE - PREHEAT 125°C/90 SEC.

△ JACK PORT CONTAINS ENVIRONMENTAL PROTECTION COATING

ORIGINATED BY	DATE	TITLE
Bain Liu	03-30-09	MagJack® SPECIAL, EPP 918A TAB UP, SHIELDED
DRAWN BY	DATE	
LW Yuan	03-30-09	

PART NO. / DRAWING NO.	STANDARD DIM.	[] METRIC DIM. AS REFERENCE
SI-50230-G	TOL. IN INCH	UNIT : INCH [mm] REV. : A0
FILE NAME	.X	SCALE : N/A SIZE : A4
SI-50230-G.DWG	.XX	⊕
	.XXX ±0.005	PAGE : 3

THE INFORMATION CONTAINED HEREIN IS CONSIDERED "PROPRIETARY" TO BEL FUSE INC. AND SHALL NOT BE COPIED, REPRODUCED OR DISCLOSED WITHOUT THE WRITTEN APPROVAL OF BEL FUSE INC.



ORIGINATED BY Bain Liu	DATE 03-30-09	TITLE MagJack® SPECIAL, EPP 918A TAB UP, SHIELDED	PART NO. / DRAWING NO. SI-50230-G	STANDARD DIM. TOL. IN INCH	[] METRIC DIM. AS REFERENCE	 COMPONENTS FOR A CONNECTED PLANET	
DRAWN BY LW Yuan	DATE 03-30-09		FILE NAME SI-50230-G.DWG	.X	UNIT : INCH [mm]		REV. : A0
				.XX	SCALE : N/A		SIZE : A4
			.XXX	±0.005	PAGE : 4		