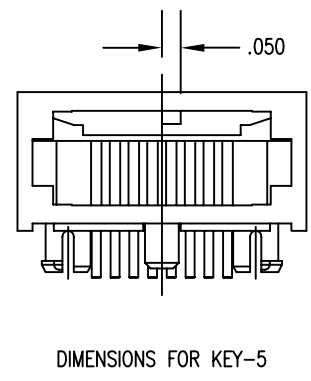
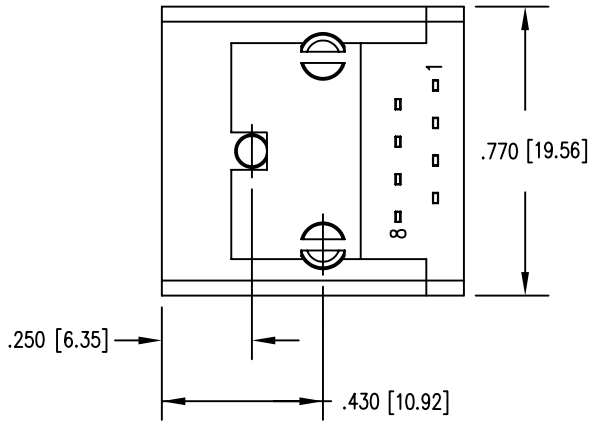
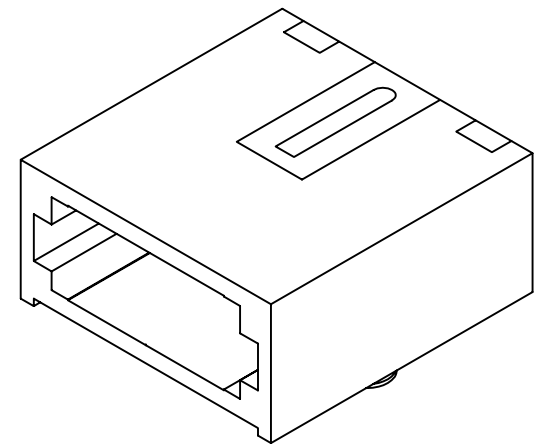
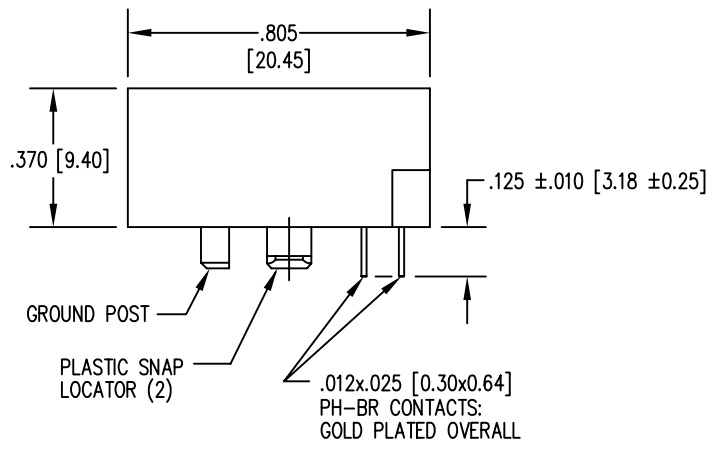
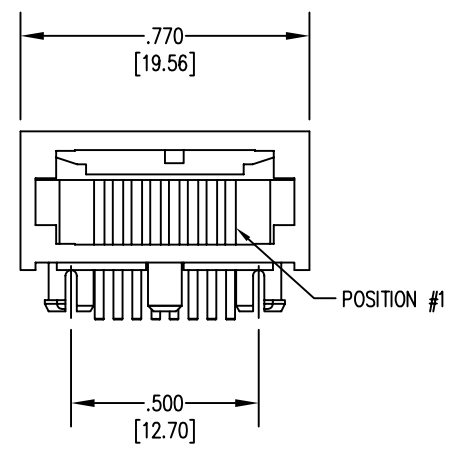
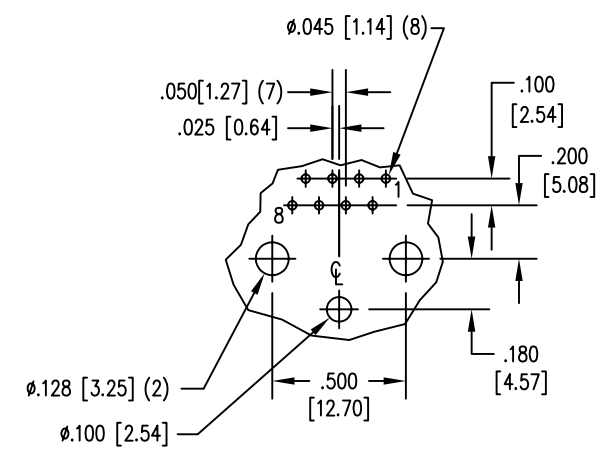


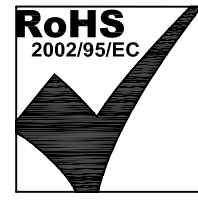
| DATE | REV | ECN | APP'D. BY |
|---------|-----|------|-----------|
| 1/25/06 | A6 | 7453 | JM |
| 4/11/06 | A7 | 7579 | TRM |
| | | | |
| | | | |



- NOTES:
- CONNECTOR MATERIALS:
HOUSING: THERMOPLASTIC UL94 V-0
SHIELD: DIE CAST ALLOY
CONTACTS: COPPER ALLOY
SHIELD PLATING: TIN
CONTACT PLATING: SELECTIVE GOLD IN CONTACT AREA
SEE CHART FOR PART NUMBER
 - FOR PRODUCT SPECIFICATIONS SEE PRO26-01.
 - TOLERANCES ARE ±006 [0.15] UNLESS OTHERWISE NOTED .



PC BOARD RECOMMENDED HOLE LAYOUT



| | |
|-----------------------------------|------------------|
| 30 MICRO-INCHES [0.76um] | SS-610808-NF-P-5 |
| CONTACT PLATING IN MATING AREA | PART NUMBER |

| | | | |
|--|--|---|---------------|
| THIRD ANGLE PROJECTION | | <h1>Bel Stewart Connector</h1> <p>11118 Susquehanna Trail South Glen Rock, PA 17327-9199 (717) 235-7512 Fax: (717) 235-7954 http://www.stewartconnector.com</p> | |
| | | | |
| DO NOT SCALE DRAWING DRAWING IS SUBJECT TO CHANGE WITHOUT NOTICE | | TITLE: 8X8 COMPU-SHIELD JACK FINAL ASSY NON-FLANGED | |
| DIMENSIONS: INCHES [METRIC] | | THIS DRAWING AND THE SUBJECT MATTER SHOWN THEREON ARE CONFIDENTIAL AND THE PROPRIETARY PROPERTY OF BEL STEWART CONNECTOR AND SHALL NOT BE REPRODUCED, COPIED, OR USED IN ANY MANNER WITHOUT PRIOR WRITTEN CONSENT OF BEL STEWART CONNECTOR. THE SUBJECT MATTER MAY BE PATENTED OR A PATENT MAY BE PENDING. | |
| UNLESS OTHERWISE SPECIFIED TOLERANCES ARE ±.005 [0.13] ANGLES ARE ± 1° | | DRN BY: K.L. | DATE: 4-23-93 |
| SHEET NO. 1 OF 1 | | APPD BY: J.W. | DATE: 4-23-93 |
| | | DWG NO. CT610007 | REV. A7 |

REV. 6/3/05