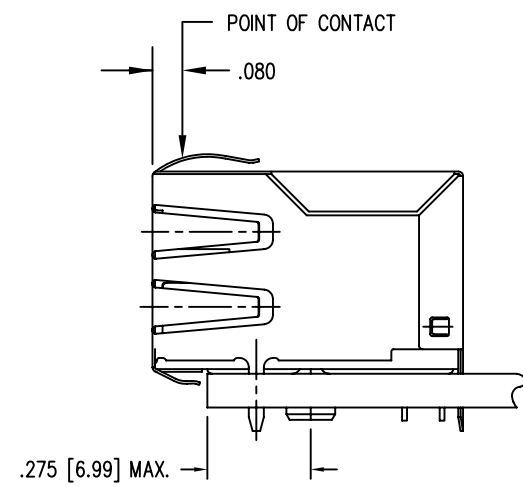
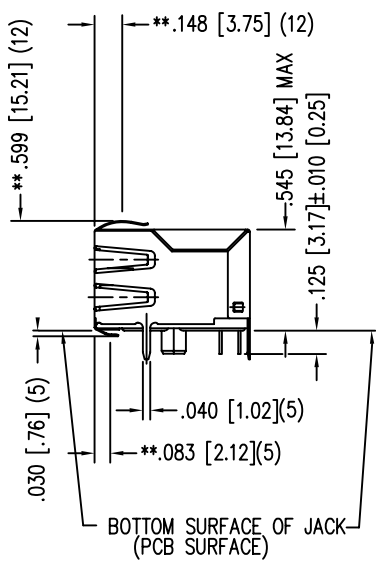
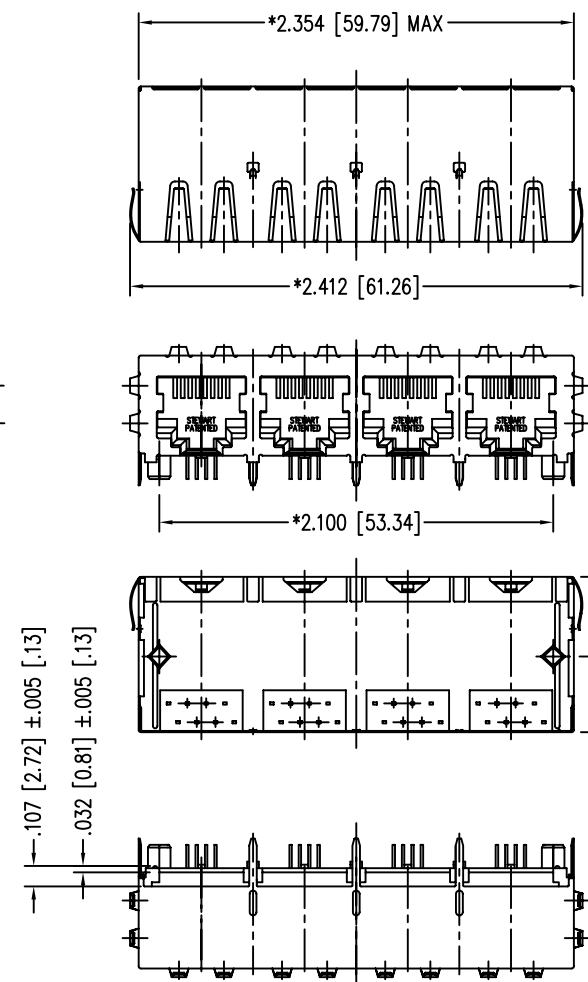
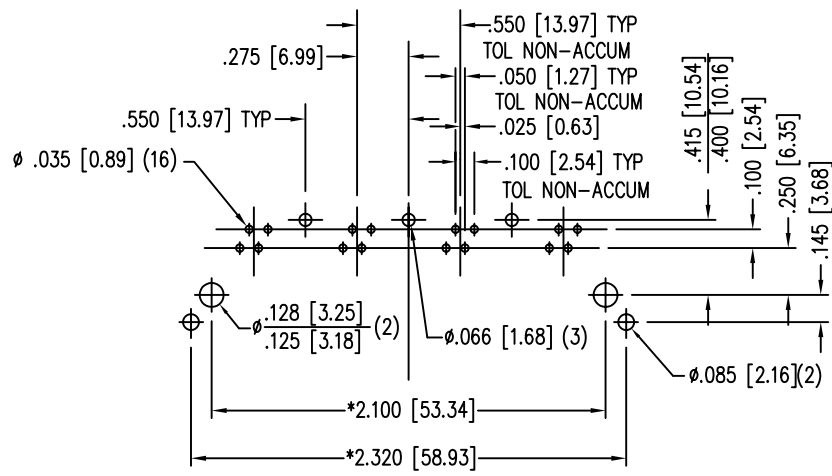


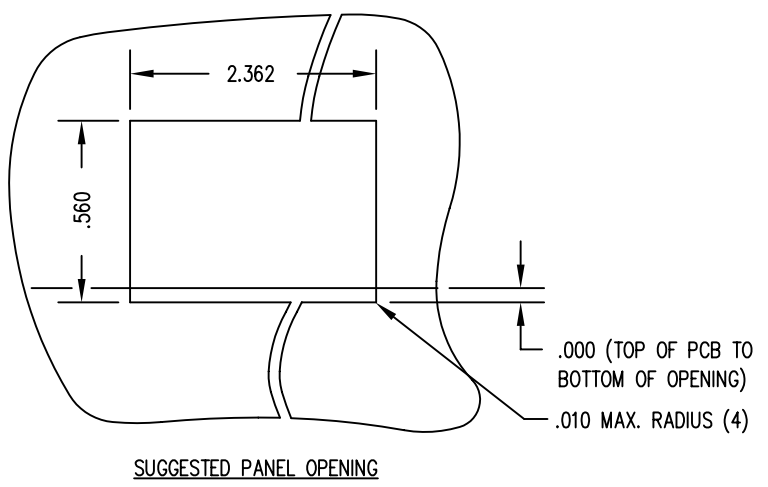
| DATE    | REV | ECN  | APP'D. BY |
|---------|-----|------|-----------|
| 1/27/06 | AO  | 7452 | JM        |
|         |     |      |           |
|         |     |      |           |



- NOTES:
- CONNECTOR MATERIALS:  
HOUSING: THERMOPLASTIC UL94 V-0  
CONTACTS/SHIELD: COPPER ALLOY  
SHIELD PLATING: NICKEL OR TIN  
CONTACT PLATING: SELECTIVE GOLD IN CONTACT AREA  
SEE CHART FOR PART NUMBER
  - FOR PRODUCT SPECIFICATIONS SEE PR022-01.
  - TOLERANCES COMPLY WITH F.C.C. DIMENSION REQUIREMENTS.
  - THE SUGGESTED PANEL OPENING IS INTENDED TO GIVE USER THE ABILITY TO HAVE REASONABLE JACK/PANEL CLEARANCES, YET MAINTAIN GROUNDING CAPABILITY. THESE VARIABLES CAN BE ADJUSTED IN EITHER DIRECTION BUT MAY CARRY SOME CONSEQUENCES IN THE FORM OF LOWER MATING FORCES OR TIGHTER ASSEMBLY TOLERANCES.



P.C.B. RECOMMENDED HOLE LAYOUT  
SEEN FROM COMPONENT SIDE  
TOLERANCE ±.003 [0.08] UNLESS OTHERWISE SPECIFIED



|                                |                          |
|--------------------------------|--------------------------|
| 30 MICRO-INCHES [0.76um]       | SS-664804S-A-PG4-AC-A283 |
| CONTACT PLATING IN MATING AREA | PART NUMBER              |

|  |  |
|--|--|
| THIRD ANGLE PROJECTION   |  |
| DO NOT SCALE DRAWING<br>DRAWING IS SUBJECT TO CHANGE WITHOUT NOTICE          |  |
| DIMENSIONS: INCHES [METRIC]  |  |
| UNLESS OTHERWISE SPECIFIED<br>TOLERANCES ARE ±.005 [0.13]<br>ANGLES ARE ± 1° |  |
| SHEET NO. 1 OF 1   |  |

## Bel Stewart Connector

11118 Susquehanna Trail South  
Glen Rock, PA 17327-9199  
(717) 235-7512 Fax: (717) 235-7954 <http://www.stewartconnector.com>

**TITLE:** EMI-RFI ONE PIECE SHIELDED, ESD GROUNDED  
4 PORT PCB HARMONICA JACK PAC

|                  |               |
|------------------|---------------|
| DRN BY: KRL      | DATE: 1/25/06 |
| APPD BY: JM      | DATE: 1-26-06 |
| DWG NO. CT660127 | REV. AO       |

THIS DRAWING AND THE SUBJECT MATTER SHOWN THEREON ARE CONFIDENTIAL AND THE PROPRIETARY PROPERTY OF BEL STEWART CONNECTOR AND SHALL NOT BE REPRODUCED, COPIED, OR USED IN ANY MANNER WITHOUT PRIOR WRITTEN CONSENT OF BEL STEWART CONNECTOR. THE SUBJECT MATTER MAY BE PATENTED OR A PATENT MAY BE PENDING.



REV. 6/3/05