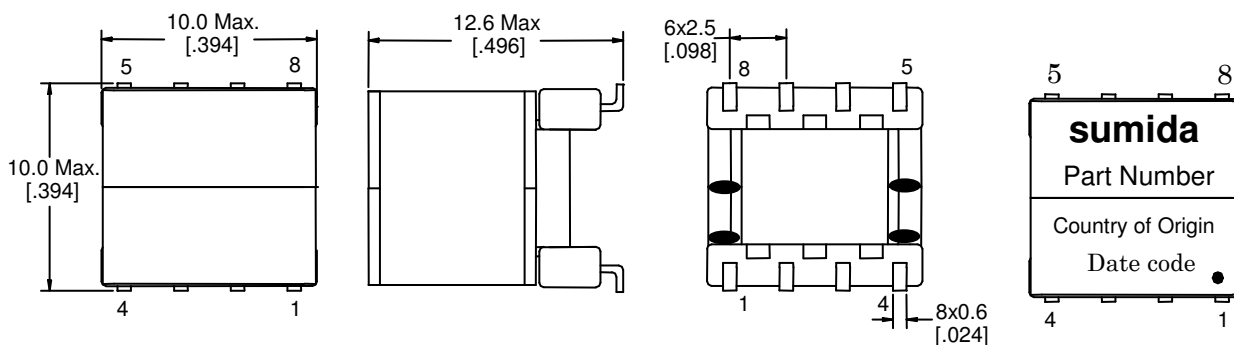
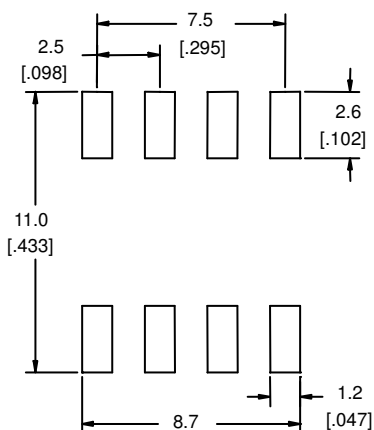
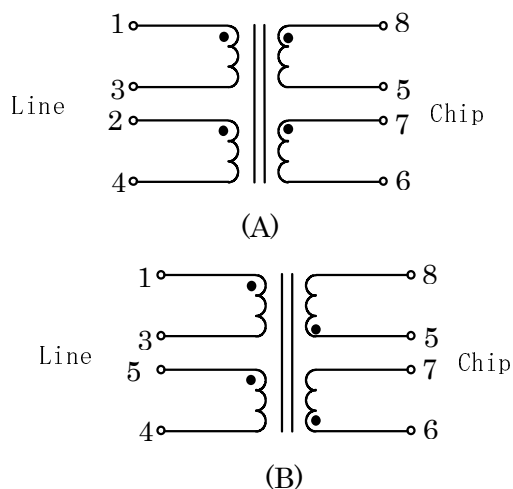


Type: CEP912
◆ Product Description

- 10.0×10.0mm Max.(L×W),12.6mm Max. Height.
- In addition to the typical versions of parameters shown here, custom parameters are available to meet your exact requirements.


◆ Feature

- xDSL line transformer.
- Ideally used in ADSL/VDSL Central Office, SHDSL&HDSL & splitter.
- Approved by Conexant,Centillium and TI.
- RoHS Compliance.

◆ Dimensions (mm)

◆ Land Pattern (mm)

◆ Schematics(Bottom)


Type: CEP912
◆ Specification

Part No.	Inductance (nom. μ H)	Turns ratio	THD (dB) (TYP.)	Insulation	Application
J10130	400	1.11:1		Basic	ADSL CO
J10163	1500	2:1	-86 (30k,5.3V)	Supplementary	ADSL CO
J10163	1500	2:1	-86 (30k,5.3V)	Supplementary	ADSL CO
J10174	1000	0.9:1	-75 (25k,2.9V)	Basic	ADSL CO
J10182	1075	1.15:1	-85.6 (25k,2V)	Basic	ADSL CO
J10183	1075	1.2:1	-87.4 (25k,2V)	Basic	ADSL CO
J10184	1075	1.25:1	-88.1 (25k,2V)	Basic	ADSL CO
J10187	160	0.92:1	-68 (10k,2V)	Basic	ADSL CO
J10207	480	1.3:1	-89 (25k,4V)	Supplementary	ADSL CO
J14110	450	2:1	-80(25k,2.0V)	Supplementary	VDSL
J13101	3200	0.7:1	-78(5kHz 4.0Vrms)	Basic	SHDSL & HDSL
J13103	3200	0.472:1	-76(5kHz 4.0Vrms)	Basic	SHDSL & HDSL
J13104	3180	0.7:1	-75(5kHz 4.0Vrms)	Basic	SHDSL & HDSL
J15126	16400	1:1			Splitter
J15151	16000	1:1			Splitter