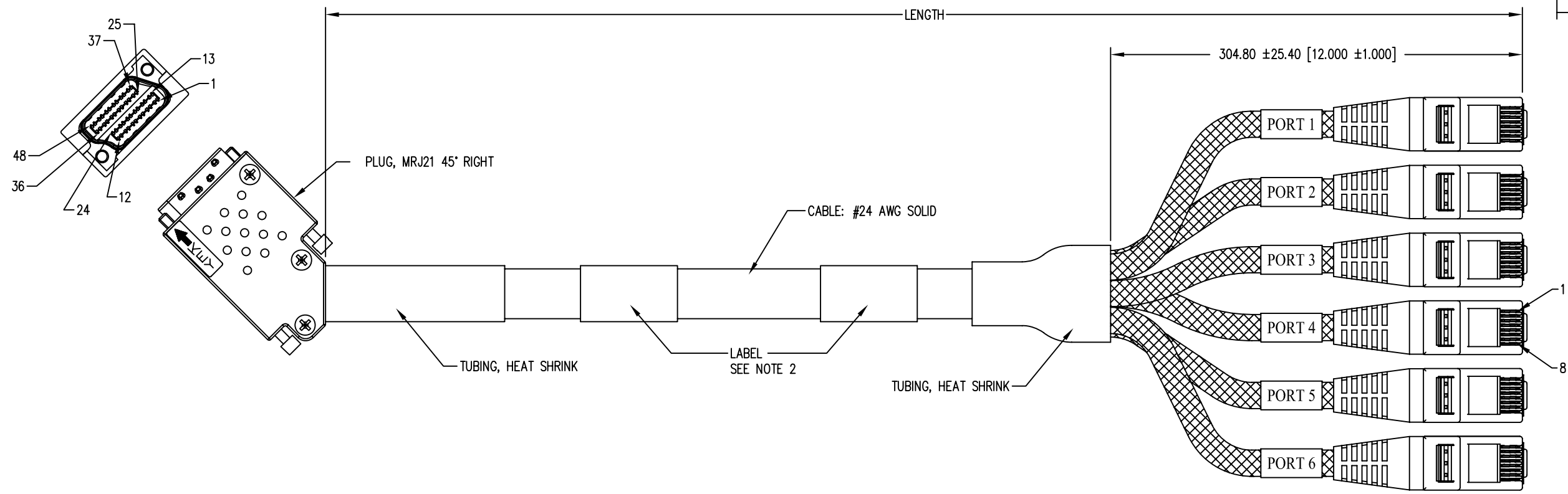
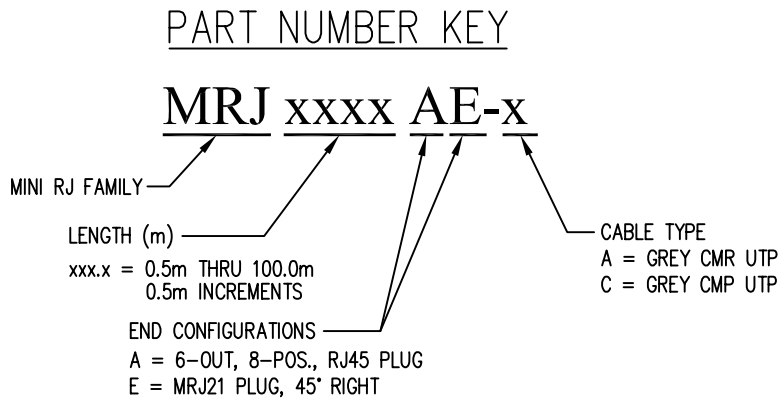


DATE	REV	ECN	APP'D. BY
3-15-11	A1	9164	TRM
3-1-12	A2	9399	TRM



TYPICAL PART NUMBERS		
PART NUMBER	LENGTH METERS [INCHES]	CABLE TYPE
MRJ0010AE-A	1.0 [39.37]	CMR
MRJ0010AE-C	1.0 [39.37]	CMP
MRJ0030AE-A	3.0 [118.1]	CMR
MRJ0030AE-C	3.0 [118.1]	CMP
MRJ0050AE-A	5.0 [196.9]	CMR
MRJ0050AE-C	5.0 [196.9]	CMP
MRJ0070AE-A	7.0 [275.6]	CMR
MRJ0070AE-C	7.0 [275.6]	CMP
MRJ0100AE-A	10.0 [393.7]	CMR
MRJ0100AE-C	10.0 [393.7]	CMP
FOR PART NUMBERS NOT SHOWN FOLLOW PART NUMBER KEY FORMAT		

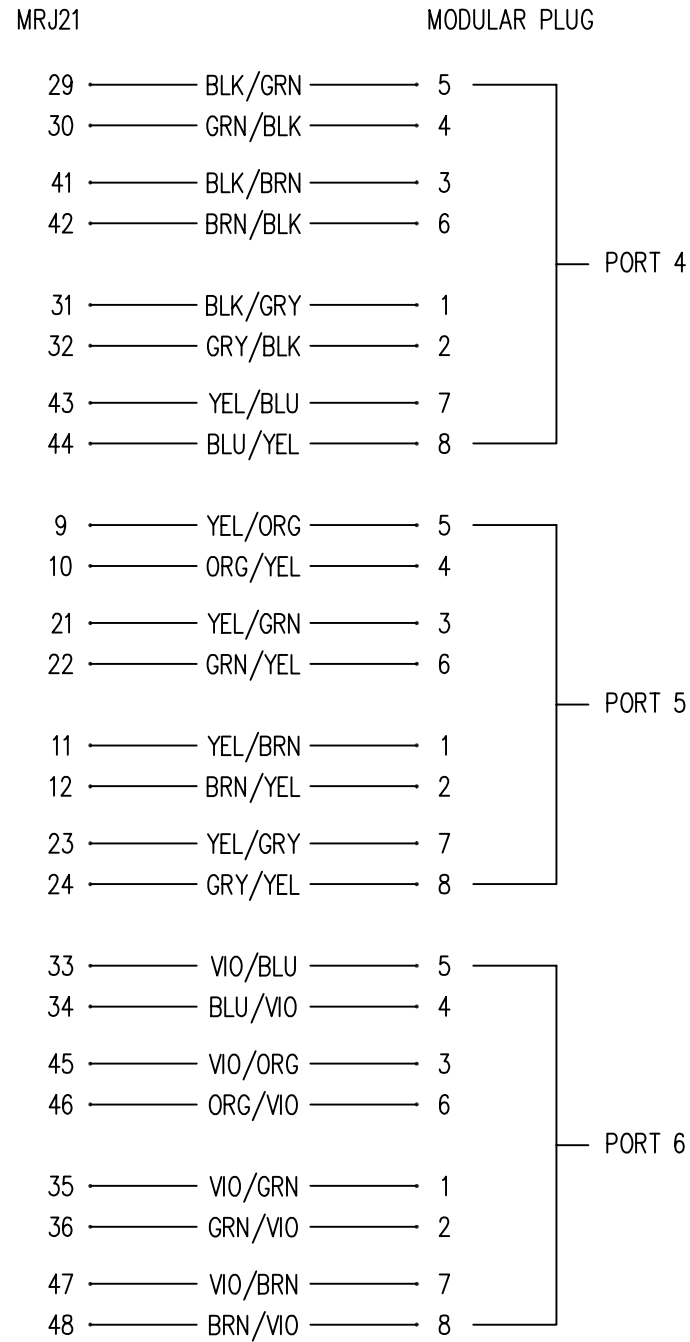
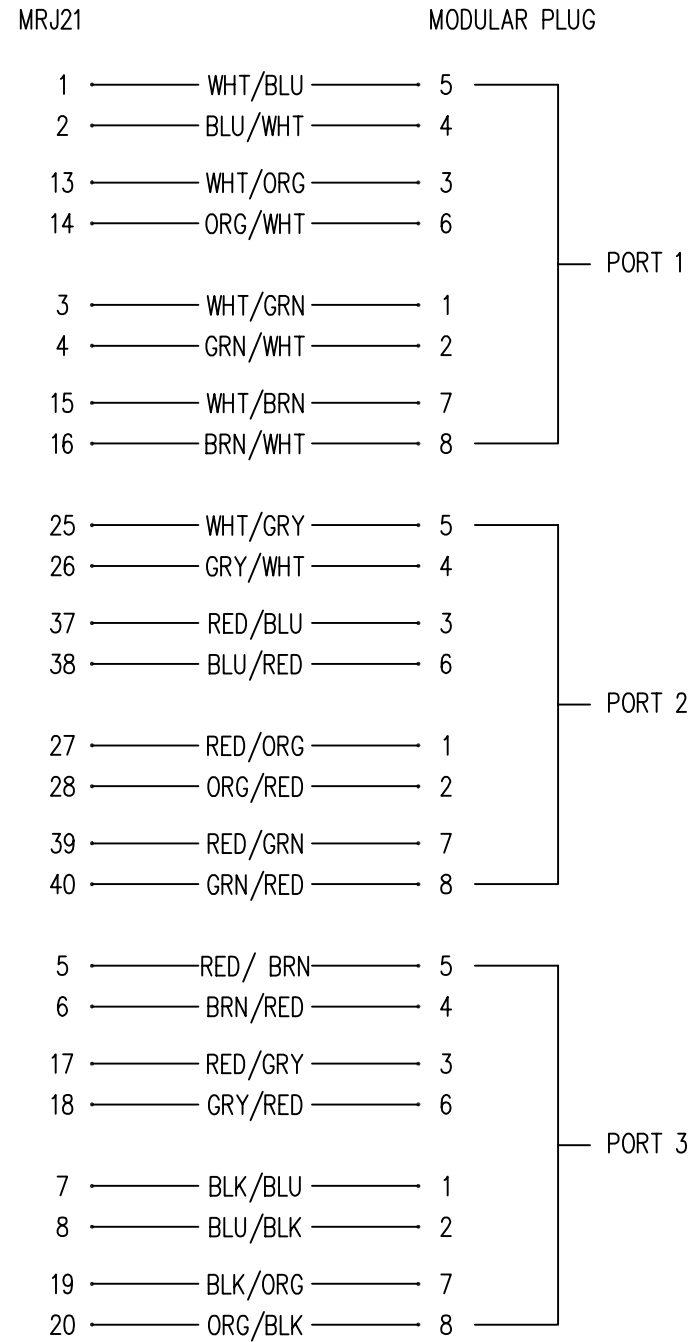


CABLE LENGTH = METERS [INCHES]	TOLERANCE = MM [INCHES]
0.5 [19.7] TO 2.5 [98.4]	+100 [3.90] / -0 [0.00]
3.0 [118] TO 9.5 [374]	+150 [5.91] / -0 [0.00]
10.0 [394] TO 19.5 [768]	+250 [9.84] / -0 [0.00]
20.0 [787] TO 49.5 [1949]	+350 [13.8] / -0 [0.00]
50.0 [1967] TO 69.5 [2736]	+500 [19.7] / -0 [0.00]
70.0 [2756] TO 100.0 [3937]	+1000 [39.4] / -0 [0.00]

- NOTES:
- CABLE ASSEMBLY 100% TESTED FOR OPEN AND SHORTS [ 300 VDC HIPOT ] AND WIRING DIAGRAM
  - CABLES GREATER THAN 3 METERS WILL CONTAIN 2 LABELS.
  - UL LISTED TO FILE #E132408.

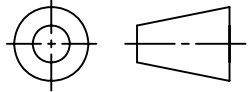
THIRD ANGLE PROJECTION		<h1>Bel Stewart Connector</h1> <p>11118 Susquehanna Trail South Glen Rock, PA 17327-9199 (717) 235-7512 Fax: (717) 235-7954 <a href="http://www.stewartconnector.com">http://www.stewartconnector.com</a></p>	
DIMENSIONS: MM [INCHES]		TITLE: CABLE ASSEMBLY, UNSHIELDED MRJ21 45° RIGHT PLUG TO 6 OUT RJ45 PLUGS	
MRJ21 IS A TRADEMARK OF TE CONNECTIVITY USED HERE BY PERMISSION		THIS DRAWING AND THE SUBJECT MATTER SHOWN THEREON ARE CONFIDENTIAL AND THE PROPRIETARY PROPERTY OF BEL STEWART CONNECTOR AND SHALL NOT BE REPRODUCED, COPIED, OR USED IN ANY MANNER WITHOUT PRIOR WRITTEN CONSENT OF BEL STEWART CONNECTOR. THE SUBJECT MATTER MAY BE PATENTED OR A PATENT MAY BE PENDING.	
SHEET NO. 1 OF 2		DRN BY: TRM DATE 10-27-09	APPD BY: DRI DATE 11-18-09
		DWG NO. CT999020	REV. A2

REV. 6/3/05



WIRING PATTERN

THIRD ANGLE PROJECTION



DIMENSIONS: MM [INCHES]

MRJ21 IS A TRADEMARK OF TE CONNECTIVITY USED HERE BY PERMISSION

SHEET NO. 2 OF 2

# Bel Stewart Connector

11118 Susquehanna Trail South  
 Glen Rock, PA 17327-9199  
 (717) 235-7512 Fax: (717) 235-7954 <http://www.stewartconnector.com>

TITLE: CABLE ASSEMBLY, UNSHIELDED  
 MRJ21 45° RIGHT PLUG TO 6 OUT RJ45 PLUGS

DRN BY:	TRM	DATE	10-27-09
APPD BY:	DRI	DATE	11-18-09
DWG NO.	CT999020	REV.	A2

THIS DRAWING AND THE SUBJECT MATTER SHOWN THEREON ARE CONFIDENTIAL AND THE PROPRIETARY PROPERTY OF BEL STEWART CONNECTOR AND SHALL NOT BE REPRODUCED, COPIED, OR USED IN ANY MANNER WITHOUT PRIOR WRITTEN CONSENT OF BEL STEWART CONNECTOR. THE SUBJECT MATTER MAY BE PATENTED OR A PATENT MAY BE PENDING.

REV. 6/3/05