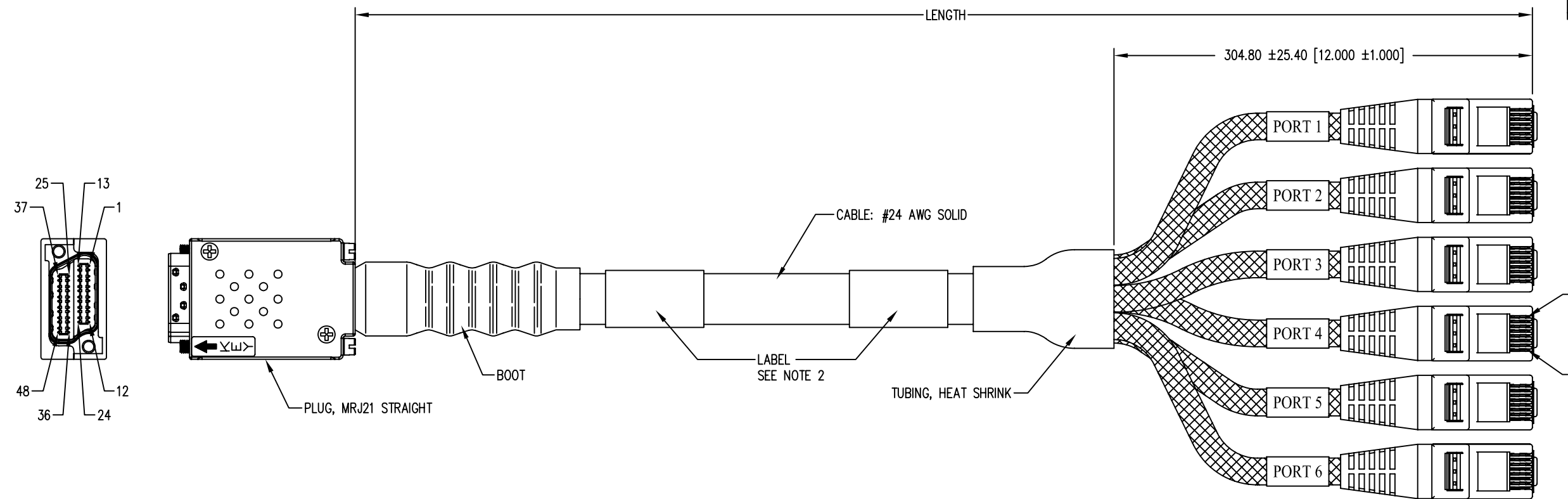


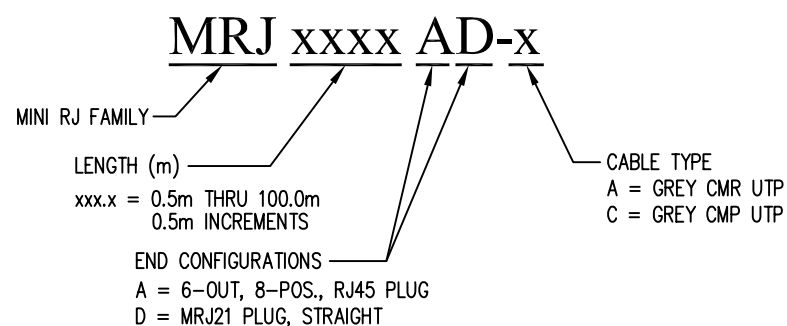
DATE	REV	ECN	APP'D. BY
5-19-10	A0	8977	TRM
3-1-12	A1	9399	TRM



TYPICAL PART NUMBERS		
PART NUMBER	LENGTH METERS [INCHES]	CABLE TYPE
MRJ0010AD-A	1.0 [39.37]	CMR
MRJ0010AD-C	1.0 [39.37]	CMP
MRJ0030AD-A	3.0 [118.1]	CMR
MRJ0030AD-C	3.0 [118.1]	CMP
MRJ0050AD-A	5.0 [196.9]	CMR
MRJ0050AD-C	5.0 [196.9]	CMP
MRJ0070AD-A	7.0 [275.6]	CMR
MRJ0070AD-C	7.0 [275.6]	CMP
MRJ0100AD-A	10.0 [393.7]	CMR
MRJ0100AD-C	10.0 [393.7]	CMP

FOR PART NUMBERS NOT SHOWN FOLLOW PART NUMBER KEY FORMAT

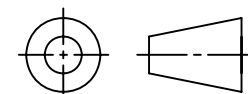
PART NUMBER KEY



CABLE LENGTH = METERS [INCHES]	TOLERANCE = MM [INCHES]
0.5 [19.7] TO 2.5 [98.4]	+100 [3.90] / -0 [0.00]
3.0 [118] TO 9.5 [374]	+150 [5.91] / -0 [0.00]
10.0 [394] TO 19.5 [768]	+250 [9.84] / -0 [0.00]
20.0 [787] TO 49.5 [1949]	+350 [13.8] / -0 [0.00]
50.0 [1967] TO 69.5 [2736]	+500 [19.7] / -0 [0.00]
70.0 [2756] TO 100.0 [3937]	+1000 [39.4] / -0 [0.00]

- NOTES:
- CABLE ASSEMBLY 100% TESTED FOR OPEN AND SHORTS [300 VDC HIPOT] AND WIRING DIAGRAM
 - CABLES GREATER THAN 3 METERS WILL CONTAIN 2 LABELS.
 - UL LISTED TO FILE #E132408.

THIRD ANGLE PROJECTION



DIMENSIONS: MM [INCHES]

MRJ21 IS A TRADEMARK OF TE CONNECTIVITY USED HERE BY PERMISSION

SHEET NO. 1 OF 2

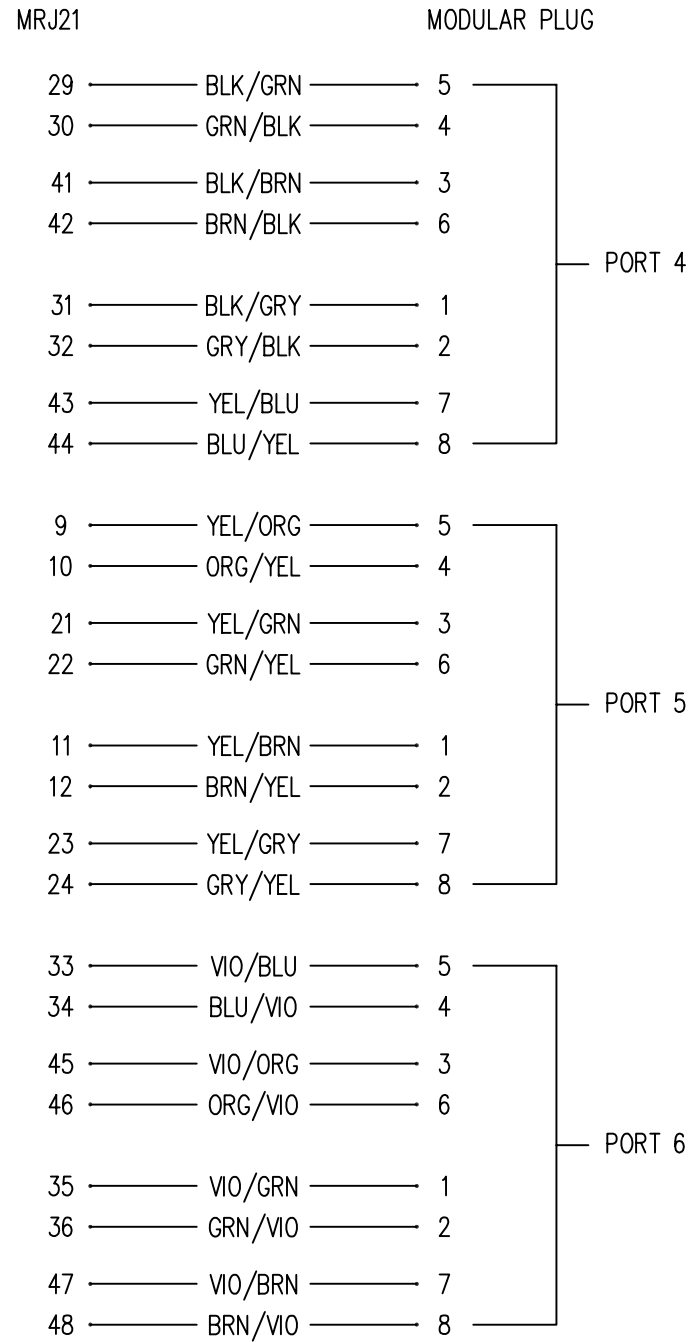
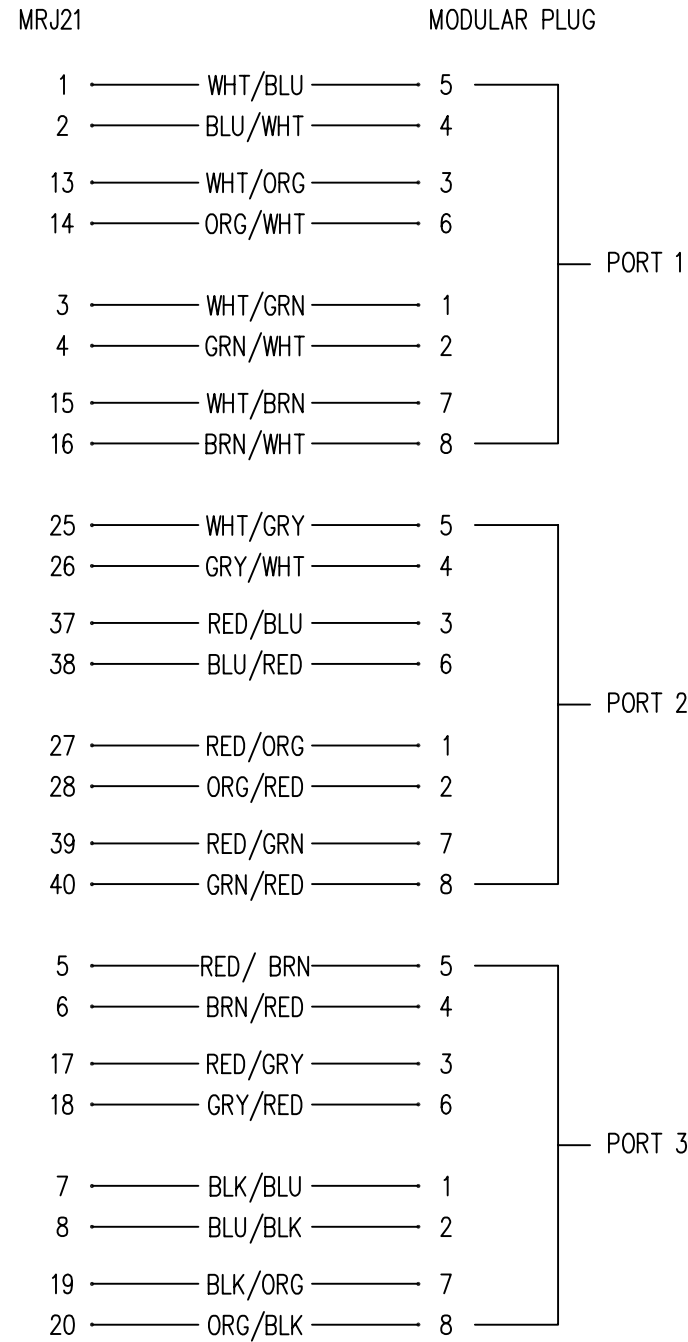
Bel Stewart Connector

11118 Susquehanna Trail South
Glen Rock, PA 17327-9199
(717) 235-7512 Fax: (717) 235-7954 <http://www.stewartconnector.com>

TITLE: CABLE ASSEMBLY, UNSHIELDED
MRJ21 STRAIGHT PLUG TO 6 OUT RJ45 PLUGS

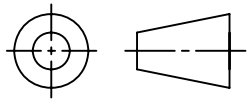
THIS DRAWING AND THE SUBJECT MATTER SHOWN THEREON ARE CONFIDENTIAL AND THE PROPRIETARY PROPERTY OF BEL STEWART CONNECTOR AND SHALL NOT BE REPRODUCED, COPIED, OR USED IN ANY MANNER WITHOUT PRIOR WRITTEN CONSENT OF BEL STEWART CONNECTOR. THE SUBJECT MATTER MAY BE PATENTED OR A PATENT MAY BE PENDING.

DRN BY: TRM	DATE 10-27-09
APPD BY: DRI	DATE 11-18-09
DWG NO. CT999019	REV. A1



WIRING PATTERN

THIRD ANGLE PROJECTION



DIMENSIONS: MM [INCHES]

MRJ21 IS A TRADEMARK OF TE CONNECTIVITY USED HERE BY PERMISSION

SHEET NO. 2 OF 2

Bel Stewart Connector

11118 Susquehanna Trail South
 Glen Rock, PA 17327-9199
 (717) 235-7512 Fax: (717) 235-7954 <http://www.stewartconnector.com>

TITLE: CABLE ASSEMBLY, UNSHIELDED
 MRJ21 STRAIGHT PLUG TO 6 OUT RJ45 PLUGS

DRN BY:	TRM	DATE	10-27-09
APPD BY:	DRI	DATE	11-18-09
DWG NO.	CT999019	REV.	A1

THIS DRAWING AND THE SUBJECT MATTER SHOWN THEREON ARE CONFIDENTIAL AND THE PROPRIETARY PROPERTY OF BEL STEWART CONNECTOR AND SHALL NOT BE REPRODUCED, COPIED, OR USED IN ANY MANNER WITHOUT PRIOR WRITTEN CONSENT OF BEL STEWART CONNECTOR. THE SUBJECT MATTER MAY BE PATENTED OR A PATENT MAY BE PENDING.

REV. 6/3/05