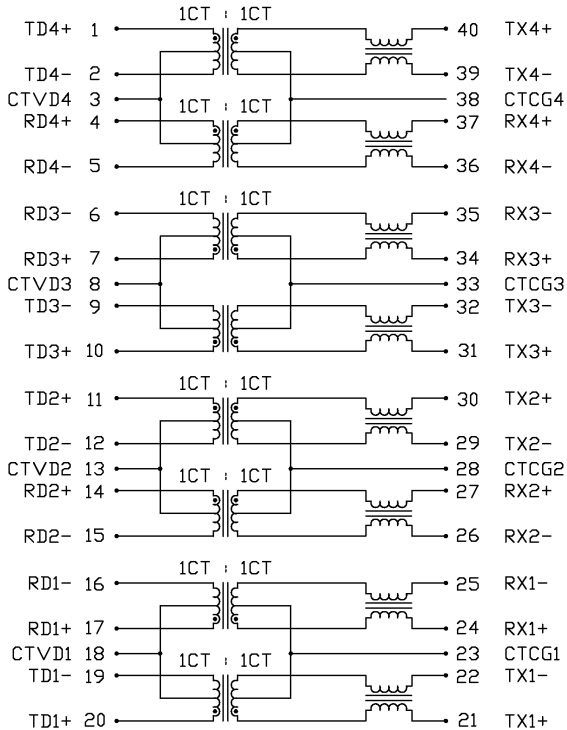


THE INFORMATION CONTAINED HEREIN IS CONSIDERED "PROPRIETARY" TO BEL FUSE INC. AND SHALL NOT BE COPIED, REPRODUCED OR DISCLOSED WITHOUT THE WRITTEN APPROVAL OF BEL FUSE INC.



**SCHEMATIC**

**ELECTRICAL CHARACTERISTICS @ 25°C**



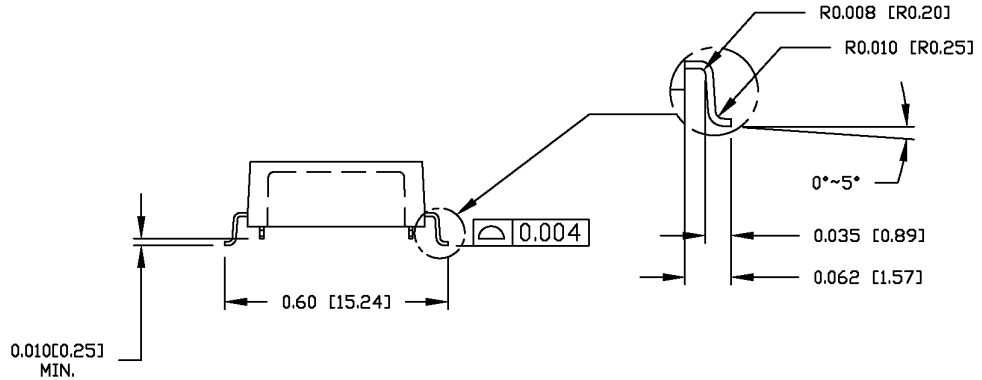
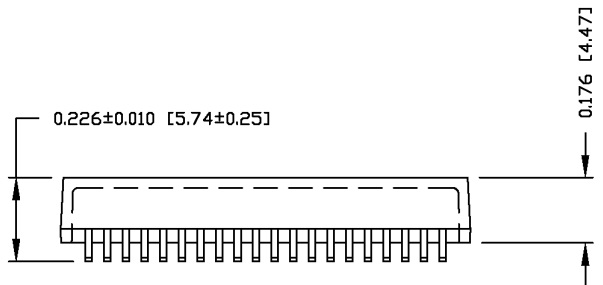
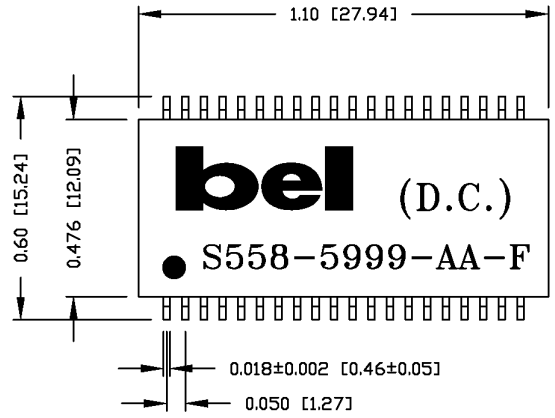
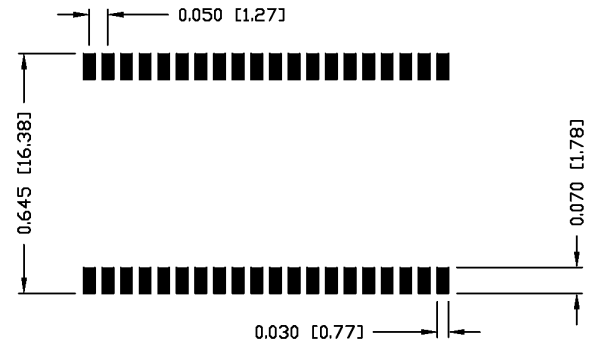
TD4+ 1	1CT : 1CT	40	TX4+	URNS RATIO	
TD4- 2		39	TX4-	$T_x = R_x$	1CT : 1CT
CTVD4 3	1CT : 1CT	38	CTG4	POLARITY :	4°&37°, 7°&34°, 14°&27°, 17°&24°
RD4+ 4		37	RX4+		1°&40°, 10°&31°, 11°&30°, 20°&21° IN PHASE
RD4- 5		36	RX4-	DC L	350µH MIN. @ 100kHz, 100mV
RD3- 6	1CT : 1CT	35	RX3-	@-40° TO +80°C	WITH 8mA D.C. BIAS
RD3+ 7		34	RX3+	INSERTION LOSS	1.0 dB MAX. @ 1MHz TO 80MHz
CTVD3 8		33	CTG3	RETURN LOSS	
TD3- 9		32	TX3-	MEASURED UNDER A	18 dB MIN. @ 0.1MHz - 30MHz
TD3+ 10		31	TX3+	100 Ω ENVIRONMENT	18-20 LOG(f/30MHz) dB MIN. @ 30MHz - 60MHz
TD2+ 11	1CT : 1CT	30	TX2+	COMMON TO DIFFERENTIAL	40 dB MIN. @ 0.1MHz TO 100MHz
TD2- 12		29	TX2-	MODE REJECTION	
CTVD2 13	1CT : 1CT	28	CTG2	COMMON TO COMMON	35 dB MIN. @ 0.1MHz TO 100MHz
RD2+ 14		27	RX2+	MODE REJECTION	20 dB MIN. @ 100MHz TO 500MHz
RD2- 15		26	RX2-	CROSSTALK	32 dB MIN. @ 0.1MHz TO 100MHz
RD1- 16	1CT : 1CT	25	RX1-	HIPOT	PER HAND-WORK-03
RD1+ 17		24	RX1+		
CTVD1 18	1CT : 1CT	23	CTG1		
TD1- 19		22	TX1-		
TD1+ 20		21	TX1+		

ORIGINATED BY	DATE	TITLE	PART NO. / DRAWING NO.	STANDARD DIM. TOL. IN INCH	[ ] METRIC DIM. AS REFERENCE	 COMPONENTS OF A CONNECTED PLANET
HO	12-12-05	10/100BT MAGNETICS MODULE	X5585999AA-F	.X	UNIT : INCH [mm] REV. : A	
DRAWN BY	DATE		FILE NAME	.XX	SCALE : N/A SIZE : A4	
DQ Chen	12-12-05	S558-5999-AA-F	X5585999AAFA.DWG	.XXX	PAGE : 2	

THE INFORMATION CONTAINED HEREIN IS CONSIDERED "PROPRIETARY" TO BEL FUSE INC. AND SHALL NOT BE COPIED, REPRODUCED OR DISCLOSED WITHOUT THE WRITTEN APPROVAL OF BEL FUSE INC.



SUGGESTED PCB PAD LAYOUT



NOTES:

- STANDARD MARKING REFER TO DOC. HAND-WORK-04.
- PACKAGE CODE: "RRS001".

ORIGINATED BY	DATE	TITLE	PART NO. / DRAWING NO.	STANDARD DIM. TOL. IN INCH	[ ] METRIC DIM. AS REFERENCE	 COMPONENTS FOR A CONNECTED PLANET	
HQ	12-12-05	MECHANICAL DRAWING S558-5999-AA-F	X5585999AA-F	.X	UNIT : INCH [mm]		REV. : A
DRAWN BY	DATE		FILE NAME	.XX ±0.01	SCALE : N/A		SIZE : A4
DQ Chen	12-12-05	X5585999AAFA.DWG	.XXX ±0.005		PAGE : 3		