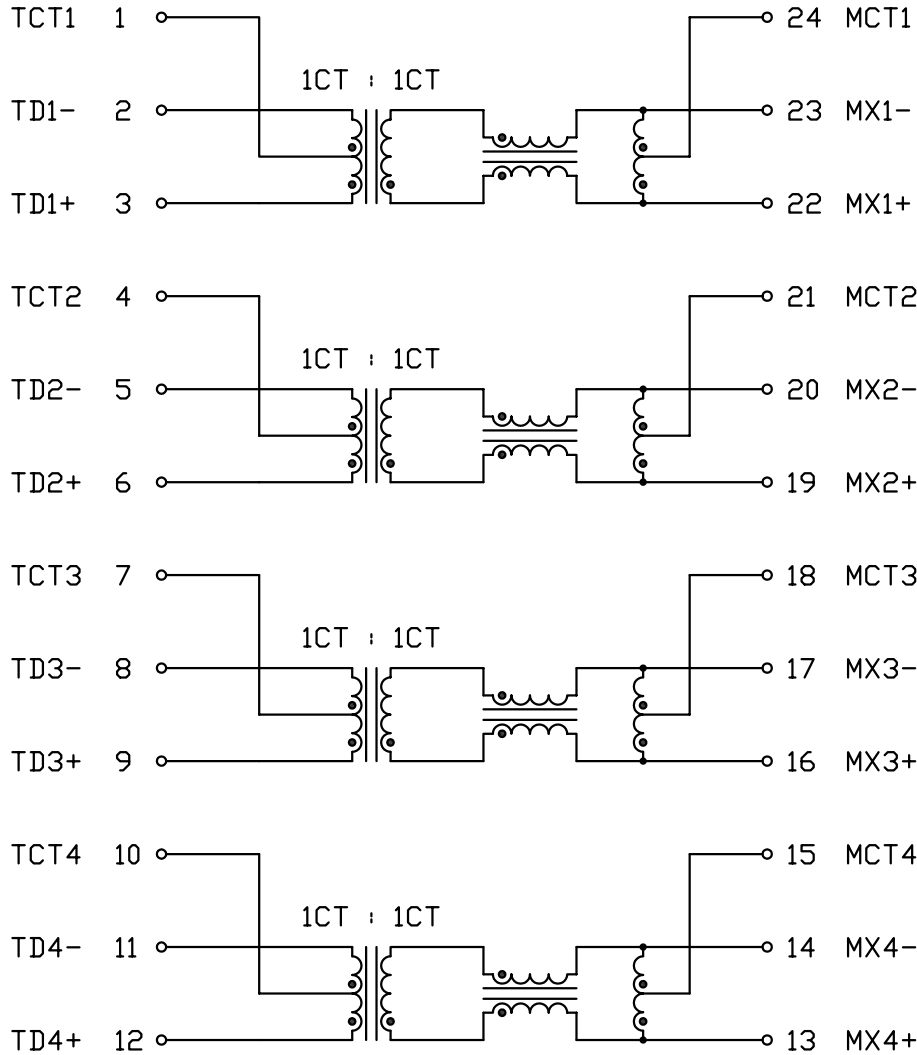


THE INFORMATION CONTAINED HEREIN IS CONSIDERED 'PROPRIETARY' TO BEL FUSE INC. AND SHALL NOT BE COPIED, REPRODUCED OR DISCLOSED WITHOUT THE WRITTEN APPROVAL OF BEL FUSE INC.



SCHEMATIC



ELECTRICAL CHARACTERISTICS @25°C

URNS RATIO

(3-1-2) : (22-24-23) 1CT : 1CT
 (6-4-5) : (19-21-20) 1CT : 1CT
 (9-7-8) : (16-18-17) 1CT : 1CT
 (12-10-11) : (13-15-14) 1CT : 1CT

POLARITY

PER DOT CONVENTION

□CL

(23-22), (20-19) 350μH MIN @100kHz, 100mV
 (17-16), (14-13) WITH 8mA DC BIAS
 OPERATING TEMPERATURE -40°C TO +85°C

INSERTION LOSS

1.1dB MAX @0.1 TO 1MHz
 1.0dB MAX @1 TO 100MHz

COMMON TO COMMON MODE REJECTION

22.0dB MIN @30MHz
 23.0dB MIN @50MHz
 20.5dB MIN @80MHz
 20.0dB MIN @100MHz

RETURN LOSS

UNDER 100 ΩHM ±15% ENVIRONMENT 18dB MIN @0.5 TO 40MHz
 12-20LOG (f/80MHz) MIN @40 TO 100MHz

CROSSTALK

33-20LOG (f/100MHz) dB MIN @1-100MHz

HIPOT

PER HAND-WORK-03

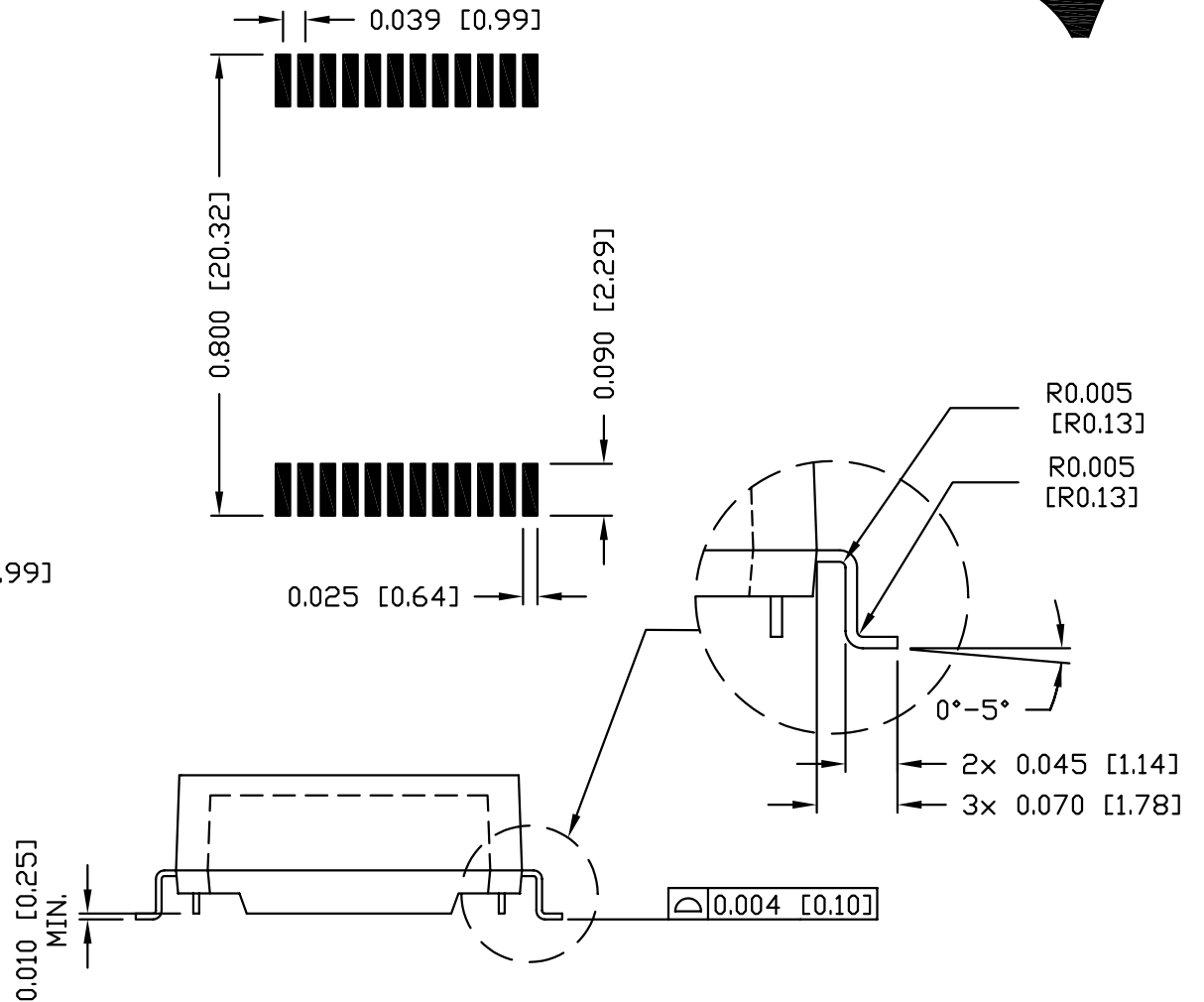
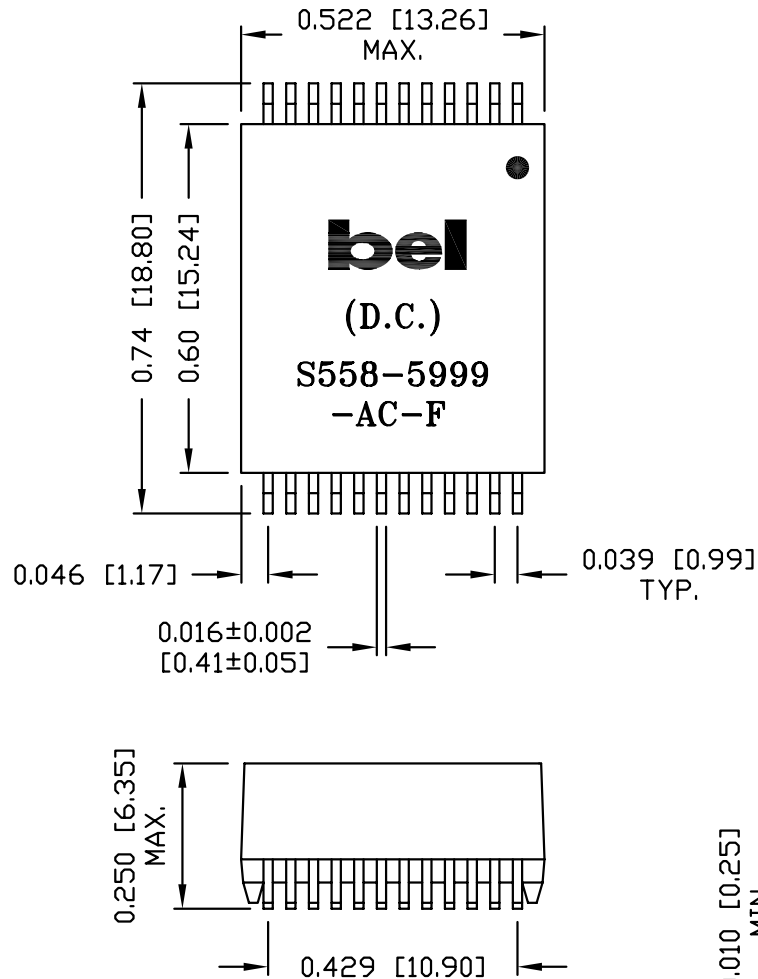
ORIGINATED BY	DATE	TITLE	PART NO. / DRAWING NO.	STANDARD DIM.	[] METRIC DIM. AS REFERENCE	
CH CHAN	05-11-10	ELECTRICAL SPECIFICATION S558-5999-AC-F	X5585999AC-F	TOL. IN INCH	UNIT : INCH [mm]	REV. : B
DRAWN BY	DATE		FILE NAME	.X	SCALE : N/A	SIZE : A4
HY ZHANG	05-11-10		X5585999ACFB.DWG	.XX		PAGE : 2
				.XXX		



THE INFORMATION CONTAINED HEREIN IS CONSIDERED "PROPRIETARY" TO BEL FUSE INC. AND SHALL NOT BE COPIED, REPRODUCED OR DISCLOSED WITHOUT THE WRITTEN APPROVAL OF BEL FUSE INC.



SUGGESTED PCB PAD LAYOUT



NOTES:

- STANDARD MARKING REFER TO DDC. HAND-WORK-04.
- PACKAGE CODE: "QTS001".

ORIGINATED BY LAWRENCE TSANG	DATE 05-11-10	TITLE MECHANICAL DRAWING S558-5999-AC-F	PART NO. / DRAWING NO. X5585999AC-F		STANDARD DIM. TOL. IN INCH		[] METRIC DIM. AS REFERENCE		
			FILE NAME X5585999ACFB.DWG		.X		UNIT : INCH [mm]	REV. : B	
DRAWN BY HY ZHANG	DATE 05-11-10				.XX	±0.01	SCALE : N/A	SIZE : A4	COMPONENTS FOR A CONNECTED PLANET
					.XXX	±0.005		PAGE : 3	