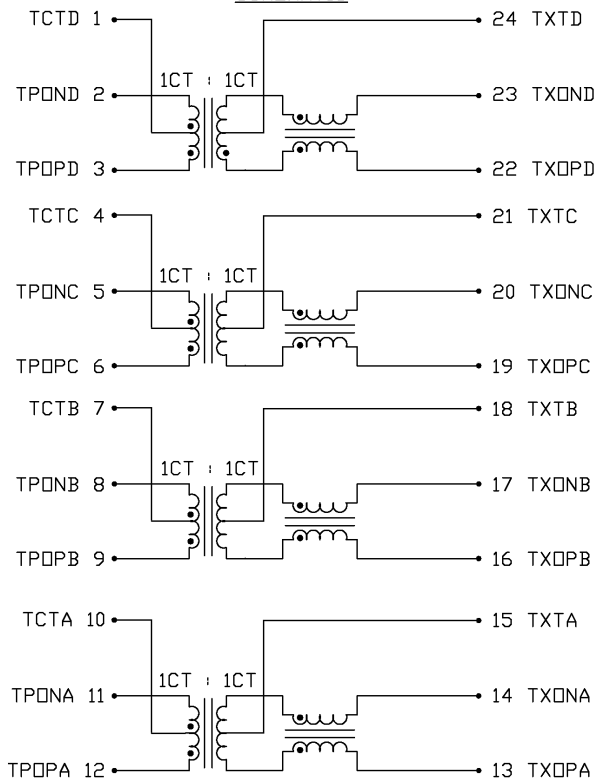


THE INFORMATION CONTAINED HEREIN IS CONSIDERED
 "PROPRIETARY" TO BEL FUSE INC. AND SHALL NOT BE
 COPIED, REPRODUCED OR DISCLOSED WITHOUT THE
 WRITTEN APPROVAL OF BEL FUSE INC.



SCHEMATIC



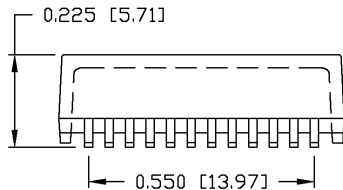
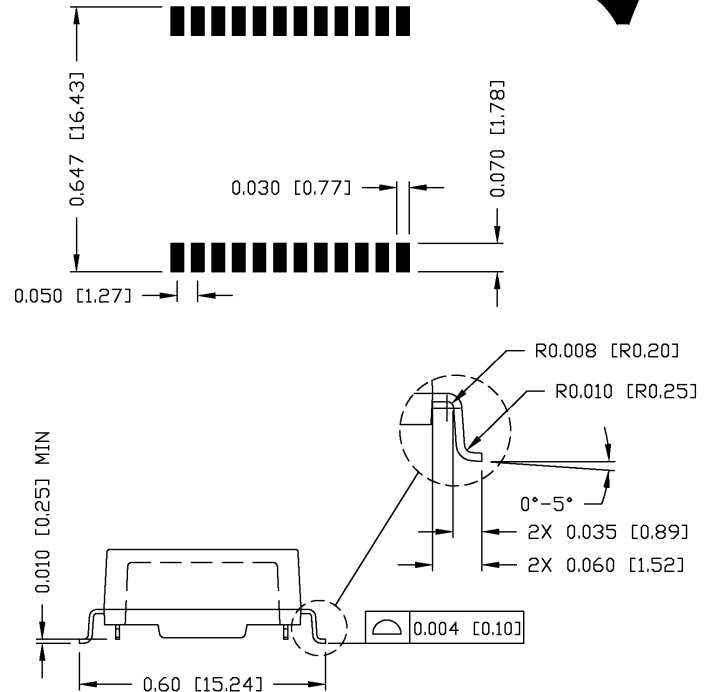
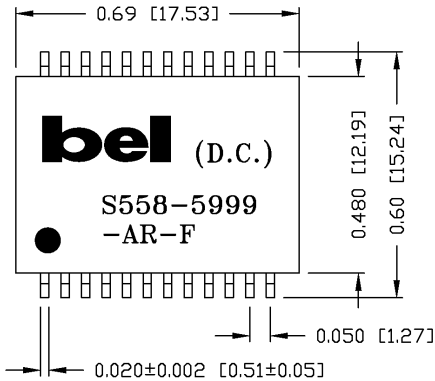
ELECTRICAL CHARACTERISTICS @ 25°C

TURNS RATIO (3-1-2) : (22-24-23) (6-4-5) : (19-21-20) (9-7-8) : (16-18-17) (12-10-11) : (13-15-14)	1CT : 1CT 1CT : 1CT 1CT : 1CT 1CT : 1CT
OCL -40°C TO +85°C	350μH MIN. AT 100kHz, 100mV WITH 8mA DC BIAS
INSERTION LOSS	1.1dB MAX. @ 0.1 TO 1MHz 0.5dB MAX. @ 1 TO 65MHz 1.0dB MAX. @ 80MHz 1.2dB MAX. @ 125MHz
RETURN LOSS UNDER 100 OHM ±15% ENVIRONMENT	18dB MIN. @ 0.5 TO 40 MHz 12-20LOG (F/80MHz) dB MIN. @ 40 TO 100MHz
COMMON TO COMMON REJECTION	30dB MIN. @ 0.1 TO 100MHz
CROSSTALK	33-20LOG (F/100MHz) dB MIN. @ 1 TO 100MHz
HIPOT	PER HAND-WORK-03

ORIGINATED BY	DATE	TITLE	PART NO. / DRAWING NO.	STANDARD DIM.	[] METRIC DIM. AS REFERENCE	 COMPONENTS OF A CONNECTED PLANET	
HQ	08-17-06	ELECTRICAL SPECIFICATION S558-5999-AR-F	X5585999AR-F	TOL. IN INCH	UNIT : INCH [mm]		REV. : A
DRAWN BY	DATE		FILE NAME	.X	SCALE : N/A		SIZE : A4
DQ Chen	08-17-06	X5585999ARFA.DWG	.XX		PAGE : 2		

THE INFORMATION CONTAINED HEREIN IS CONSIDERED "PROPRIETARY" TO BEL FUSE INC. AND SHALL NOT BE COPIED, REPRODUCED OR DISCLOSED WITHOUT THE WRITTEN APPROVAL OF BEL FUSE INC.

SUGGESTED PCB PAD LAYOUT



NOTES:

- STANDARD MARKING REFER TO DOC. HAND-WORK-04.
- PACKAGE CODE: "RQS001".

ORIGINATED BY	DATE	TITLE	PART NO. / DRAWING NO.	STANDARD DIM. TOL. IN INCH	[] METRIC DIM. AS REFERENCE	 COMPONENTS OF A CONNECTED PLANET	
Lawrence	08-17-06	MECHANICAL DRAWING S558-5999-AR-F	X5585999AR-F	.X	UNIT : INCH [mm]		REV. : A
DRAWN BY	DATE		FILE NAME	.XX ±0.01	SCALE : N/A		SIZE : A4
DQ Chen	08-17-06	X5585999ARFA.DWG	.XXX ±0.005		PAGE : 3		