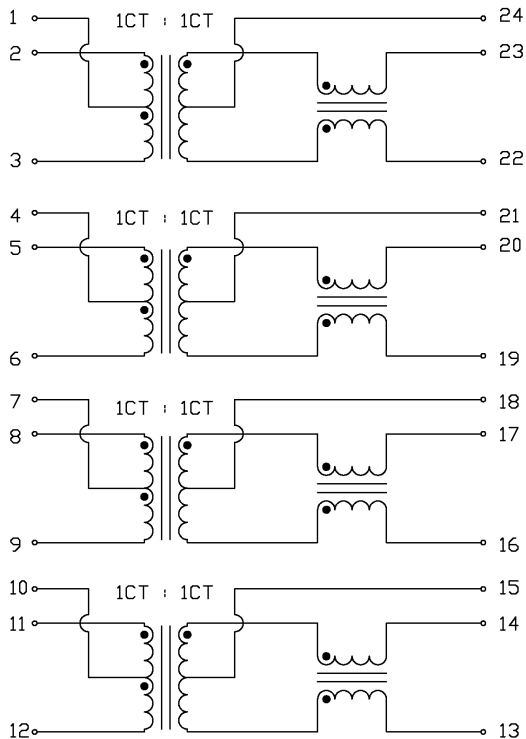


THE INFORMATION CONTAINED HEREIN IS CONSIDERED  
 "PROPRIETARY" TO BEL FUSE INC. AND SHALL NOT BE  
 COPIED, REPRODUCED OR DISCLOSED WITHOUT THE  
 WRITTEN APPROVAL OF BEL FUSE INC.



SCHEMATIC



ELECTRICAL CHARACTERISTICS @25°C

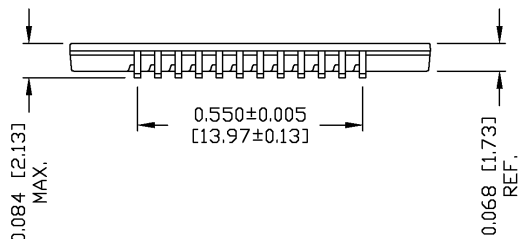
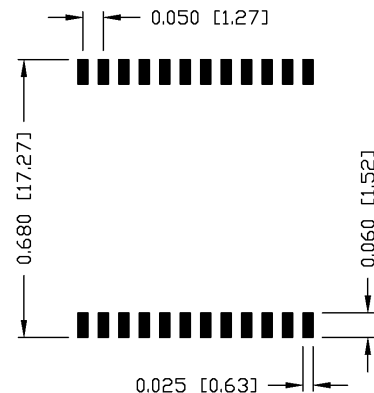
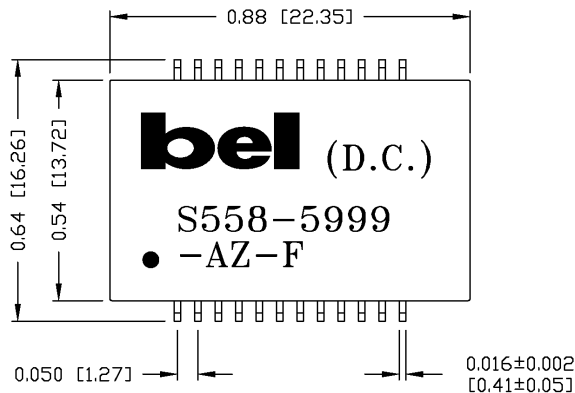
URNS RATIO	1CT : 1CT
PHASE	2 TO 23, 5 TO 20, 8 TO 17, 11 TO 15 IN PHASE
OCL :	350uH MIN. AT 100kHz, 100mV (2-3), (5-6), (8-9), (11-12) WITH 8mA DC BIAS, FROM 0 -70°C
INSERTION LOSS	1.0dB MAX. @ 1MHz TO 100MHz 1.5dB MAX. @ 125MHz
RETURN LOSS	18dB MIN. @ 1-30MHz MEASURED UNDER A 100 Ω I/O 15dB MIN. @ 60MHz 12dB MIN. @ 80MHz 10dB MIN. @ 100MHz
CROSSTALK	10-100 MHz 35 dB MIN.
COMMON TO COMMON REJECTION	30 dB MIN. AT 100kHz TO 155MHz
HIPOT	PER HAND-WORK-03

ORIGINATED BY	DATE	TITLE	PART NO. / DRAWING NO.	STANDARD DIM.	[ ] METRIC DIM. AS REFERENCE		 <small>COMPONENTS ON A CONNECTED PLANET</small>
HD	04-03-06	ELECTRICAL SPECIFICATION	X5585999AZ-F	TOL. IN INCH	UNIT : INCH [mm]	REV. : A	
DRAWN BY	DATE		FILE NAME	.X	SCALE : N/A	SIZE : A4	
DQ Chen	04-03-06	S558-5999-AZ-F	X5585999AZFA.DWG	.XX		PAGE : 2	
				.XXX			

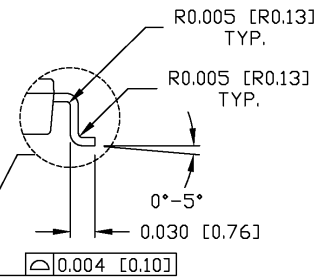
THE INFORMATION CONTAINED HEREIN IS CONSIDERED "PROPRIETARY" TO BEL FUSE INC. AND SHALL NOT BE COPIED, REPRODUCED OR DISCLOSED WITHOUT THE WRITTEN APPROVAL OF BEL FUSE INC.



SUGGESTED PCB PAD LAYOUT



BETWEEN COMPONENTS AND INTERNAL LEADS TO SEATING PLANE WITH 0.002" MIN CLEARANCE



NOTES:

- STANDARD MARKING REFER TO DOC. HAND-WORK-04.
- PACKAGE CODE: "RJS001".

ORIGINATED BY	DATE	TITLE	PART NO. / DRAWING NO.	STANDARD DIM. TOL. IN INCH	[ ] METRIC DIM. AS REFERENCE	 COMPONENTS FOR A CONNECTED PLANET
Lawrence	04-03-06	MECHANICAL DRAWING S558-5999-AZ-F	X5585999AZ-F	.X	UNIT : INCH [mm] REV. : A	
DRAWN BY	DATE		FILE NAME	.XX ±0.01	SCALE : N/A SIZE : A4	
DQ Chen	04-03-06	X5585999AZFA.DWG	.XXX ±0.005	PAGE : 3		