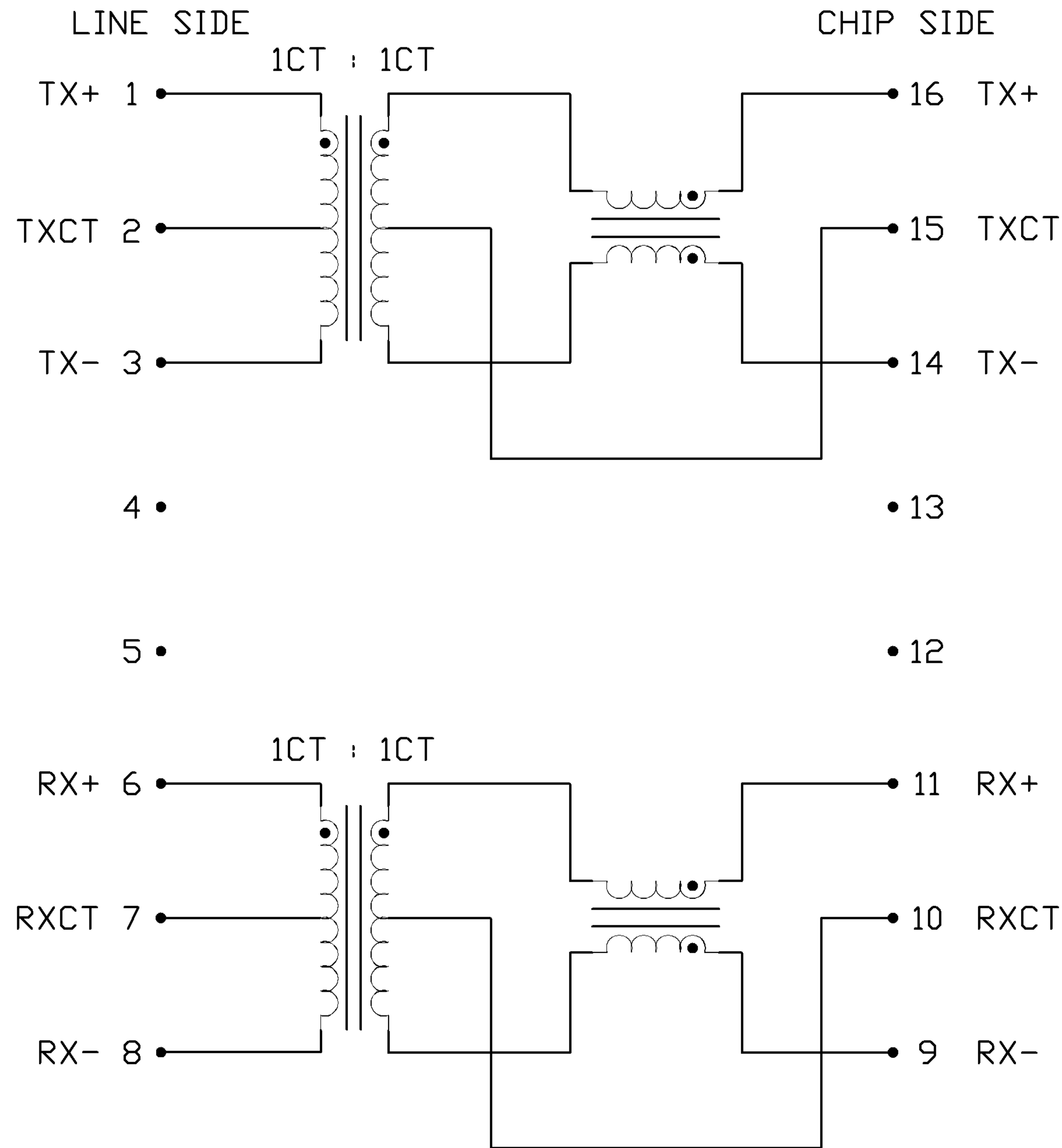


THE INFORMATION CONTAINED HEREIN IS CONSIDERED "PROPRIETARY" TO BEL FUSE INC. AND SHALL NOT BE COPIED, REPRODUCED OR DISCLOSED WITHOUT THE WRITTEN APPROVAL OF BEL FUSE INC.

ELECTRICAL CHARACTERISTICS @ 25°C



SCHEMATIC



URNS RATIO

PIN 1-2-3 : 16-15-14

PIN 6-7-8 : 11-10-9

□CL

Tx PIN 1-3 OPEN 16-14

Rx PIN 6-8 OPEN 11-9

LEAKAGE INDUCTANCE, L_e

Tx PIN 1-3 SHORT 16-14

Rx PIN 6-8 SHORT 11-9

INTERWINDING CAPACITANCE, C_w/w

Tx PIN 1-3 TO 16-14

Rx PIN 6-8 TO 11-9

DCR

PIN (1-3) = (6-8)

INSERTION LOSS

100kHz TO 80MHz

RETURN LOSS

100kHz - 30MHz

30MHz - 60MHz

60MHz - 80MHz

COMMON TO COMMON MODE REJ.

100kHz - 100MHz

COMMON TO DIFFERENTIAL MODE REJ.

100kHz - 100MHz

CROSSTALK

100kHz - 100MHz

HIPOT

1CT : 1CT

1CT : 1CT

350μH MIN.

@ 100kHz, 100mVrms

w/8mA DC BIAS

0.30μH MAX.

@ 1MHz, 20mVrms

30pF MAX.

@ 1MHz, 20mVrms

1.1Ωhm MAX.

1.0dB MAX.

18dB MIN.

18-20 LOG (F/30MHz) MIN.

12dB MIN.

40dB TYP.

40dB MIN.

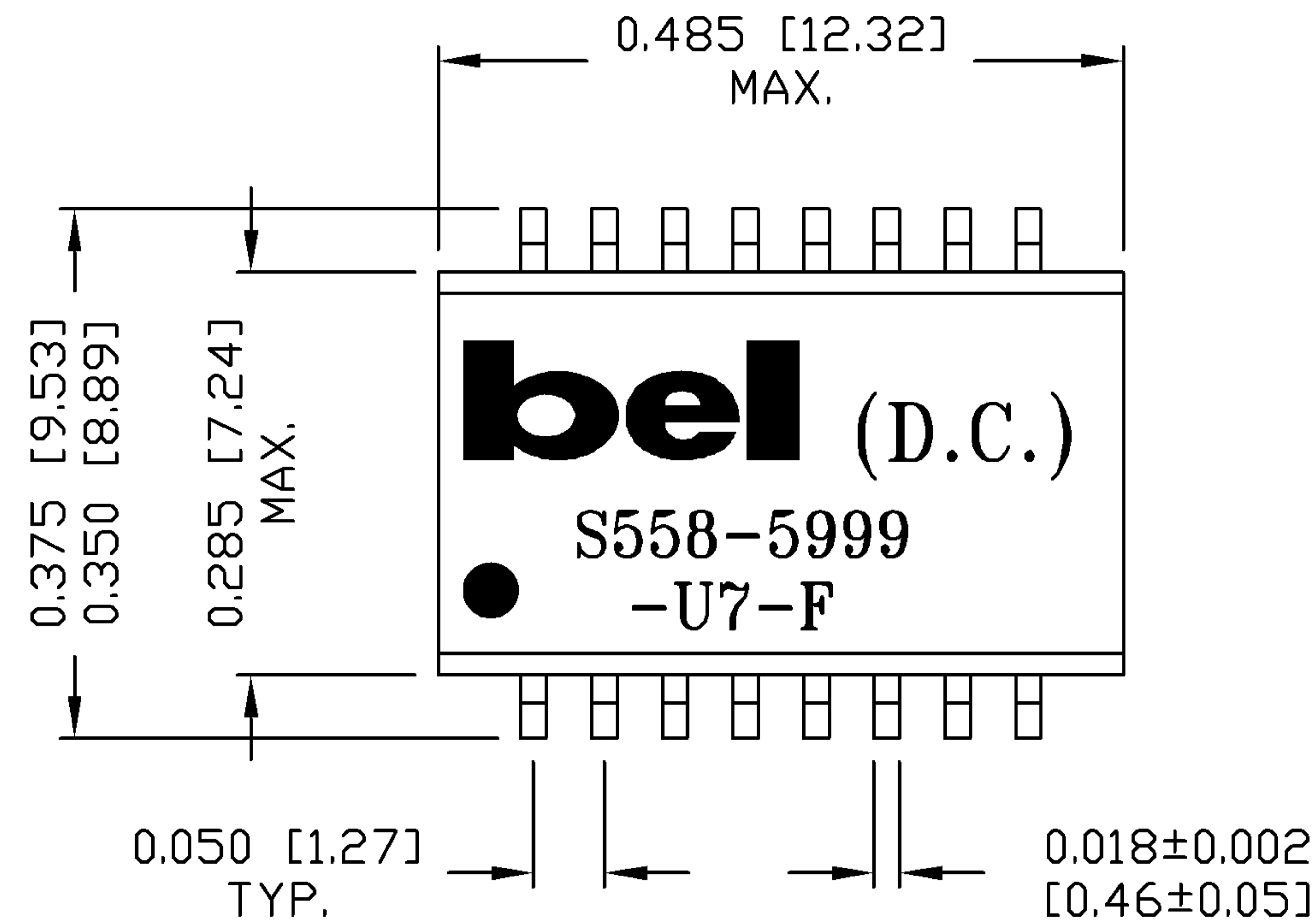
40dB MIN.

1500Vrms

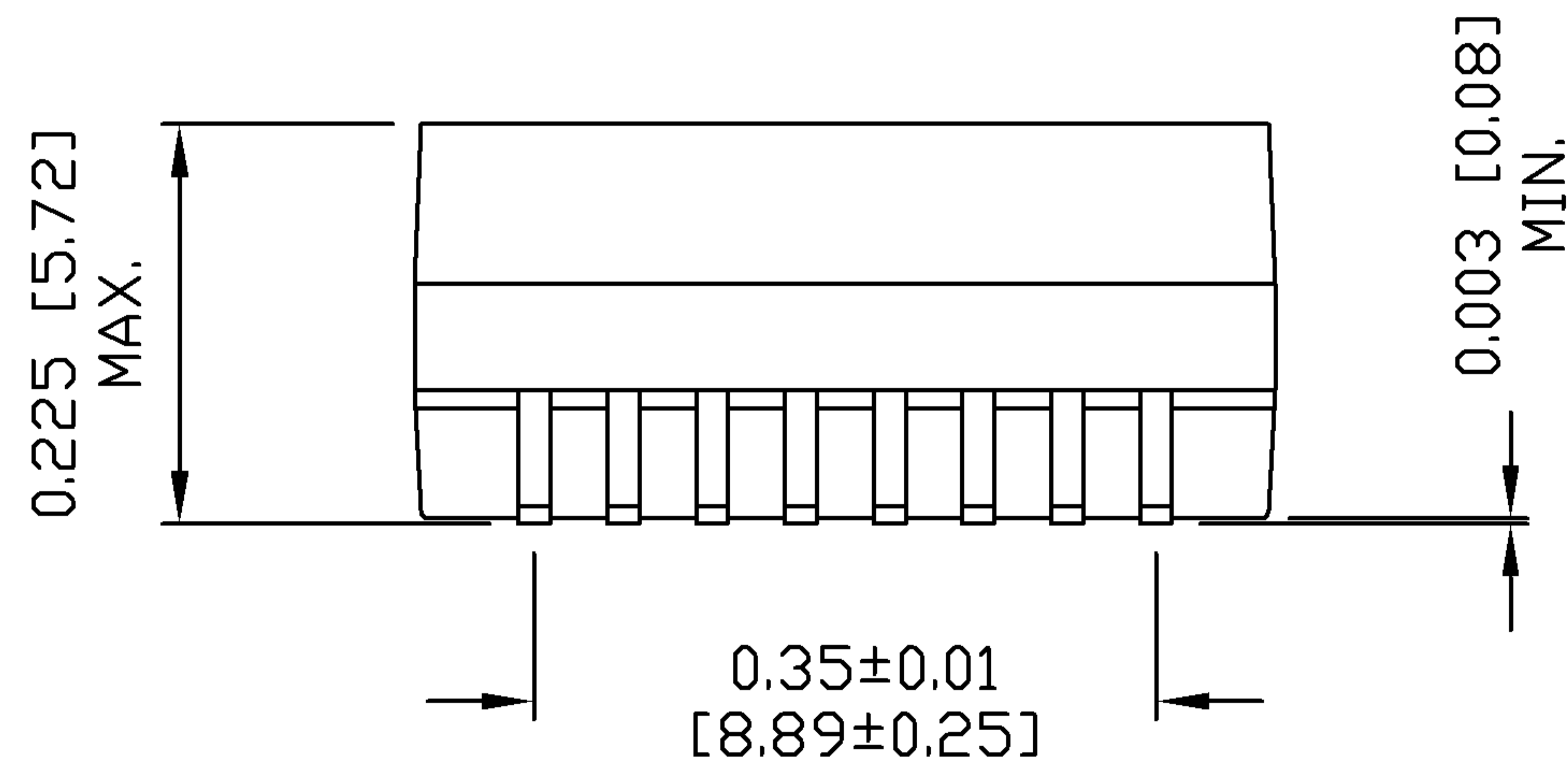
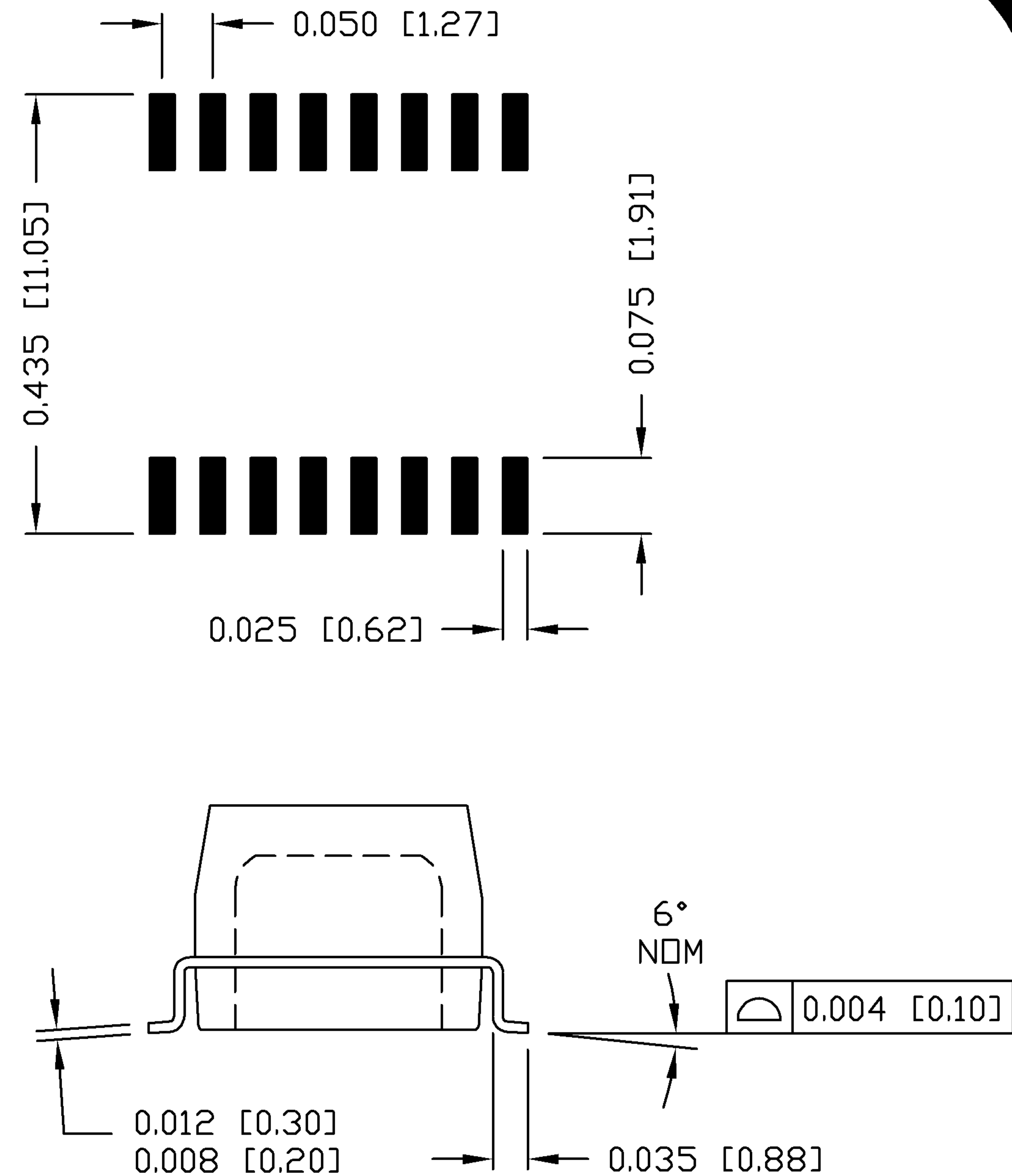
ORIGINATED BY	DATE	TITLE	PART NO. / DRAWING NO.	STANDARD DIM. TOL. IN INCH	[] METRIC DIM. AS REFERENCE
CHAN CH	01-10-08	10/100BT MAGNETICS MODDL S558-5999-U7-F	X5585999U7-F	.X	UNIT : INCH [mm] REV. : B
DRAWN BY	DATE		FILE NAME	.XX	SCALE : N/A SIZE : A4
HF Zhang	01-10-08		X5585999U7FB.DWG	.XXX	PAGE : 2



THE INFORMATION CONTAINED HEREIN IS CONSIDERED "PROPRIETARY" TO BEL FUSE INC. AND SHALL NOT BE COPIED, REPRODUCED OR DISCLOSED WITHOUT THE WRITTEN APPROVAL OF BEL FUSE INC.



SUGGESTED PCB PAD LAYOUT



NOTES:

- STANDARD MARKING REFER TO DDC. HAND-WORK-04.
- PACKAGE CODE: "QBS001".

ORIGINATED BY	DATE	TITLE	PART NO. / DRAWING NO.	STANDARD DIM. TOL. IN INCH	[] METRIC DIM. AS REFERENCE
CHAN CH	01-10-08	MECHANICAL DRAWING S558-5999-U7-F	X5585999U7-F	.X	UNIT : INCH [mm] REV. : B
DRAWN BY	DATE		FILE NAME	.XX ±0.01	SCALE : N/A SIZE : A4
HF Zhang	01-10-08		X5585999U7FB.DWG	.XXX ±0.005	PAGE : 3

