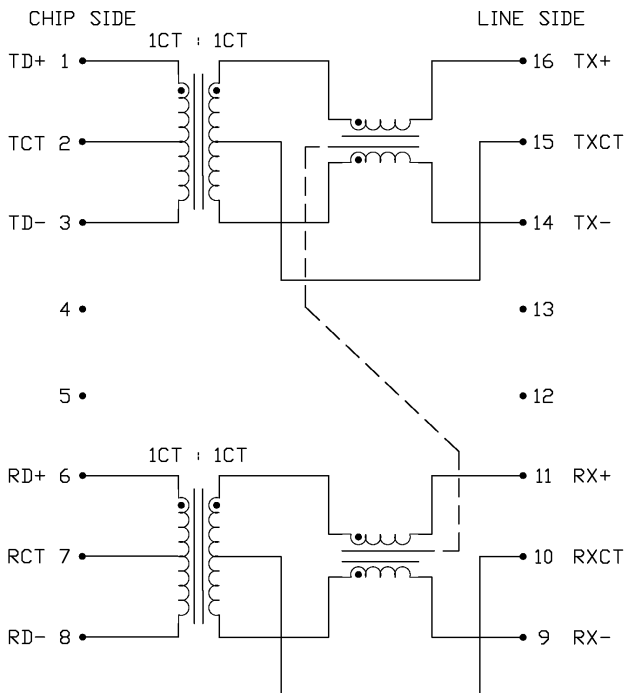


THE INFORMATION CONTAINED HEREIN IS CONSIDERED "PROPRIETARY" TO BEL FUSE INC. AND SHALL NOT BE COPIED, REPRODUCED OR DISCLOSED WITHOUT THE WRITTEN APPROVAL OF BEL FUSE INC.

ELECTRICAL CHARACTERISTICS @ 25°C



SCHEMATIC



URNS RATIO

PIN 1-2-3 : 16-15-14  
 PIN 6-7-8 : 11-10-9

□□L (0°~70°C)

Tx PIN 1-3 OPEN 16-14  
 Rx PIN 6-8 OPEN 11-9  
 LEAKAGE INDUCTANCE,  $L_L$   
 Tx PIN 1-3 SHORT 16-14  
 Rx PIN 6-8 SHORT 11-9

INTERWINDING CAPACITANCE,  $C_w/w$

Tx PIN 1-3 TO 16-14  
 Rx PIN 6-8 TO 11-9

DCR

PIN (1-3) ; (6-8)

INSERTION LOSS

1 MHz TO 100 MHz

RETURN LOSS

1 MHz - 30 MHz  
 30 MHz - 60 MHz  
 60 MHz - 80 MHz

COMMON TO DIFFERENTIAL

100 kHz - 100 MHz

CROSSTALK

100 kHz - 100 MHz

HIPOT

1CT : 1CT  
 1CT : 1CT  
 350  $\mu$ H MIN.  
 @ 100kHz, 100mVrms  
 WITH 8mA DC BIAS  
 0.30  $\mu$ H MAX.  
 @ 1MHz, 20mV  
 30 pF MAX.  
 @ 1MHz, 20mV

1.1  $\Omega$ m MAX.

1.2 dB MAX.

18 dB MIN.  
 18-20 LOG (F/30MHz)  
 12 dB MIN.

35 dB MIN.

35 dB MIN.

PER HAND-WORK-03

ORIGINATED BY	DATE	TITLE	PART NO. / DRAWING NO.	STANDARD DIM.	[ ] METRIC DIM. AS REFERENCE
HO	07-19-05	VOIP INTERFACE MODULE S558-5500-25-F	X558550025-F	TOL. IN INCH	UNIT : INCH [mm] REV. : A
DRAWN BY	DATE		FILE NAME	.X	SCALE : N/A
DQ Chen	07-19-05		X558550025FA.DWG	.XX	PAGE : 2
				.XXX	

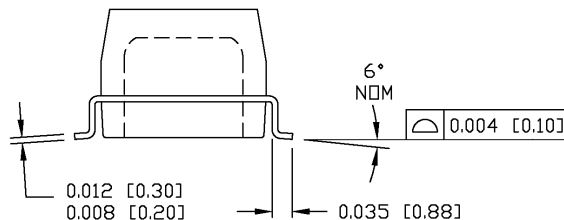
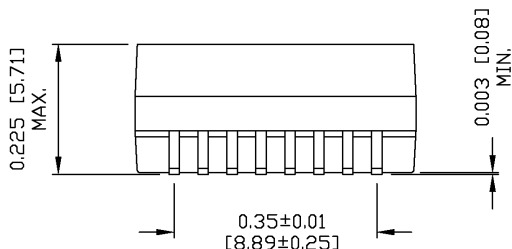
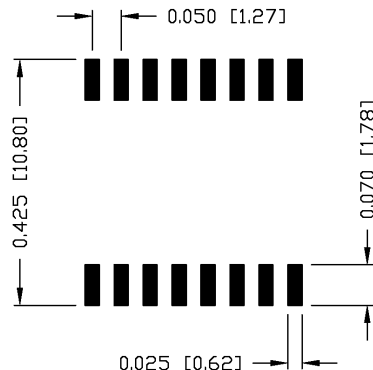
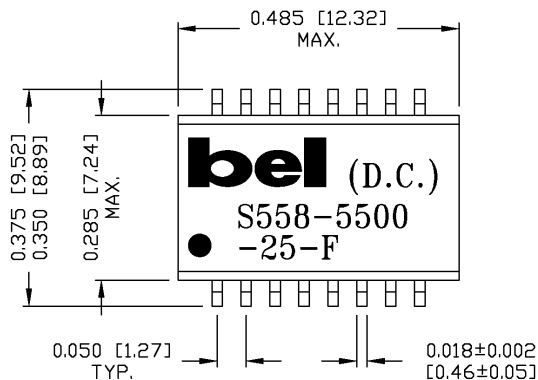


THE INFORMATION CONTAINED HEREIN IS CONSIDERED "PROPRIETARY" TO BEL FUSE INC. AND SHALL NOT BE COPIED, REPRODUCED OR DISCLOSED WITHOUT THE WRITTEN APPROVAL OF BEL FUSE INC.

RoHS  
2002/95/EC



SUGGESTED PCB PAD LAYOUT



NOTES:

- STANDARD MARKING REFER TO DOC. HAND-WORK-04.
- PACKAGE CODE: 'QBS001'.

ORIGINATED BY	DATE	TITLE	PART NO. / DRAWING NO.	STANDARD DIM.	[ ] METRIC DIM. AS REFERENCE	
HD	07-19-05	MECHANICAL DRAWING S558-5500-25-F	X558550025-F	TOL. IN INCH	UNIT : INCH [mm]	REV. : A
DRAWN BY	DATE		FILE NAME	.X	SCALE : N/A	SIZE : A4
DQ Chen	07-19-05		X558550025FA.DWG	.XX ±0.01	PAGE : 3	
				.XXX ±0.005		

