

THE INFORMATION CONTAINED HEREIN IS CONSIDERED 'PROPRIETARY' TO BEL FUSE INC. AND SHALL NOT BE COPIED, REPRODUCED OR DISCLOSED WITHOUT THE WRITTEN APPROVAL OF BEL FUSE INC.

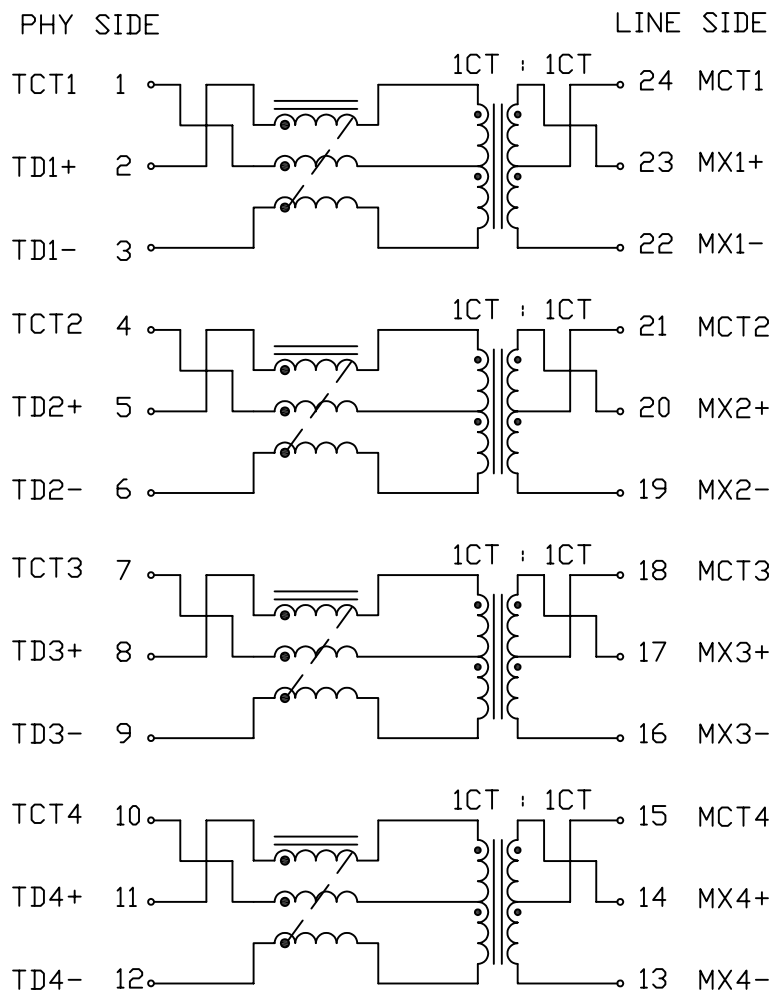
PRELIMINARY

ELECTRICAL CHARACTERISTICS @25°C

RoHS
2002/95/EC



SCHEMATIC



<p>URNS RATIO</p> <p>(2-1-3) : (23-24-22)</p> <p>(5-4-6) : (20-21-19)</p> <p>(8-7-9) : (17-18-16)</p> <p>(11-10-12) : (14-15-13)</p>	<p>1CT : 1CT ±2%</p> <p>1CT : 1CT ±2%</p> <p>1CT : 1CT ±2%</p> <p>1CT : 1CT ±2%</p>
<p>□CL</p> <p>-40°C TO +85°C</p> <p>-40°C TO +85°C</p>	<p>100kHz, 100mV</p> <p>350uH MIN WITH 11mA DC BIAS</p> <p>120uH MIN WITH 19mA DC BIAS</p>
<p>INTERWINDING CAPACITANCE, Cw/w</p>	<p>@1MHz, 20mV</p> <p>30pF MAX</p>
<p>INSERTION LOSS</p> <p>0.3MHz - 1MHz</p> <p>1MHz - 65MHz</p> <p>65MHz - 100MHz</p> <p>100MHz - 125MHz</p>	<p>1.1dB MAX</p> <p>0.8dB MAX</p> <p>1.0dB MAX</p> <p>1.2dB MAX</p>
<p>RETURN LOSS @100□HM</p> <p>0.5MHz - 40MHz</p> <p>40MHz - 100MHz</p>	<p>18dB MIN</p> <p>12-20LOG(f/80MHz)dB MIN</p>
<p>CROSSTALK</p> <p>0.3MHz - 100MHz</p>	<p>33-20LOG(f/100MHz)dB MIN</p>
<p>CM TO CM REJ</p> <p>0.3MHz - 100MHz</p>	<p>30dB MIN</p>
<p>CM TO DM REJ</p> <p>0.3MHz - 100MHz</p>	<p>35dB MIN</p>
<p>BALANCED DC LINE CURRENT</p>	<p>720mA MAX @57VDC CONTINUOUS</p> <p>1.2A MAX @57VDC FOR 200mS</p>
<p>HIPOT</p>	<p>1500 Vrms</p>

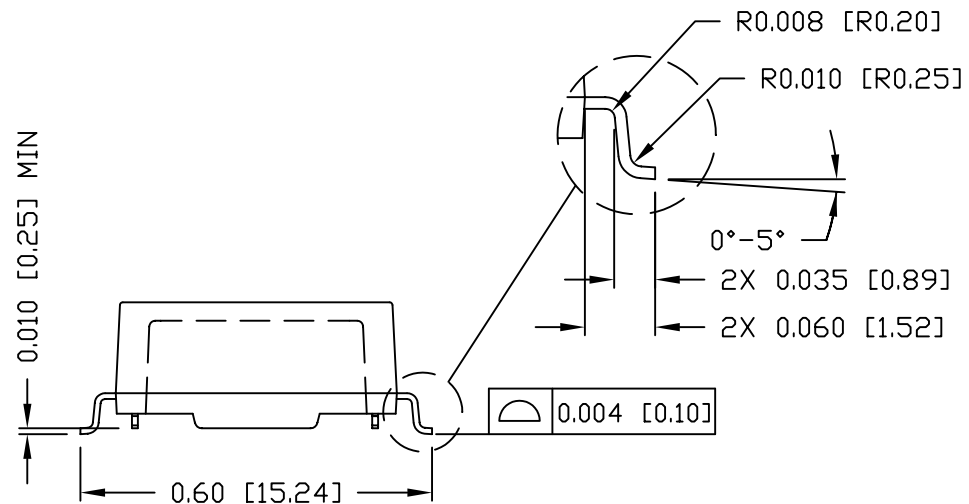
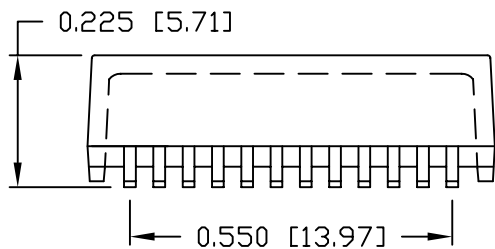
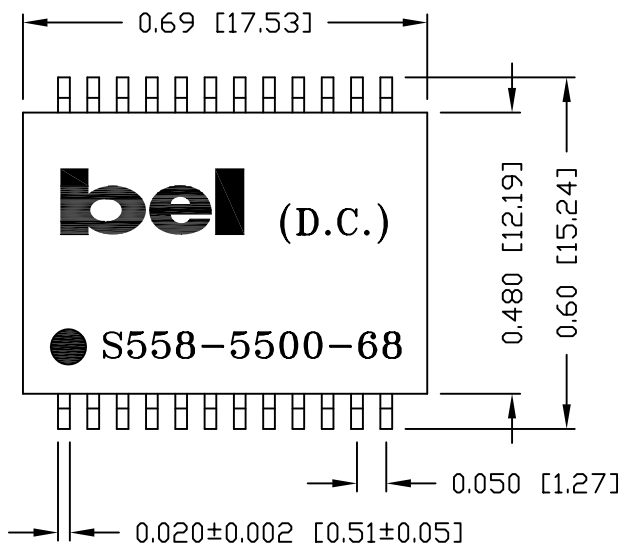
ORIGINATED BY	DATE	TITLE	PART NO. / DRAWING NO.	STANDARD DIM. TOL. IN INCH	[] METRIC DIM. AS REFERENCE
CHAN CH	03-06-09	ELECTRICAL SPECIFICATION	S558-5500-68	.X	UNIT : INCH [mm]
DRAWN BY	DATE		FILE NAME	.XX	SCALE : N/A
YH Lai	03-06-09		S558550068PB.DWG	.XXX	SIZE : A4
					REV. : PB
					SIZE : A4
					PAGE : 2



THE INFORMATION CONTAINED HEREIN IS CONSIDERED "PROPRIETARY" TO BEL FUSE INC. AND SHALL NOT BE COPIED, REPRODUCED OR DISCLOSED WITHOUT THE WRITTEN APPROVAL OF BEL FUSE INC.

PRELIMINARY

SUGGESTED PCB PAD LAYOUT



NOTES:

- STANDARD MARKING REFER TO DOC. HAND-WORK-04.
- PACKAGE CODE: "RQS001".

ORIGINATED BY	DATE	TITLE	PART NO. / DRAWING NO.	STANDARD DIM. TOL. IN INCH	[] METRIC DIM. AS REFERENCE
LAWRENCE TSANG	03-06-09	MECHANICAL OUTLINE	S558-5500-68	.X	UNIT : INCH [mm]
DRAWN BY	DATE		FILE NAME	.XX ±0.01	SCALE : N/A
YH Lai	03-06-09		S558550068PB.DWG	.XXX ±0.005	REV. : PB
					SIZE : A4
					PAGE : 3

