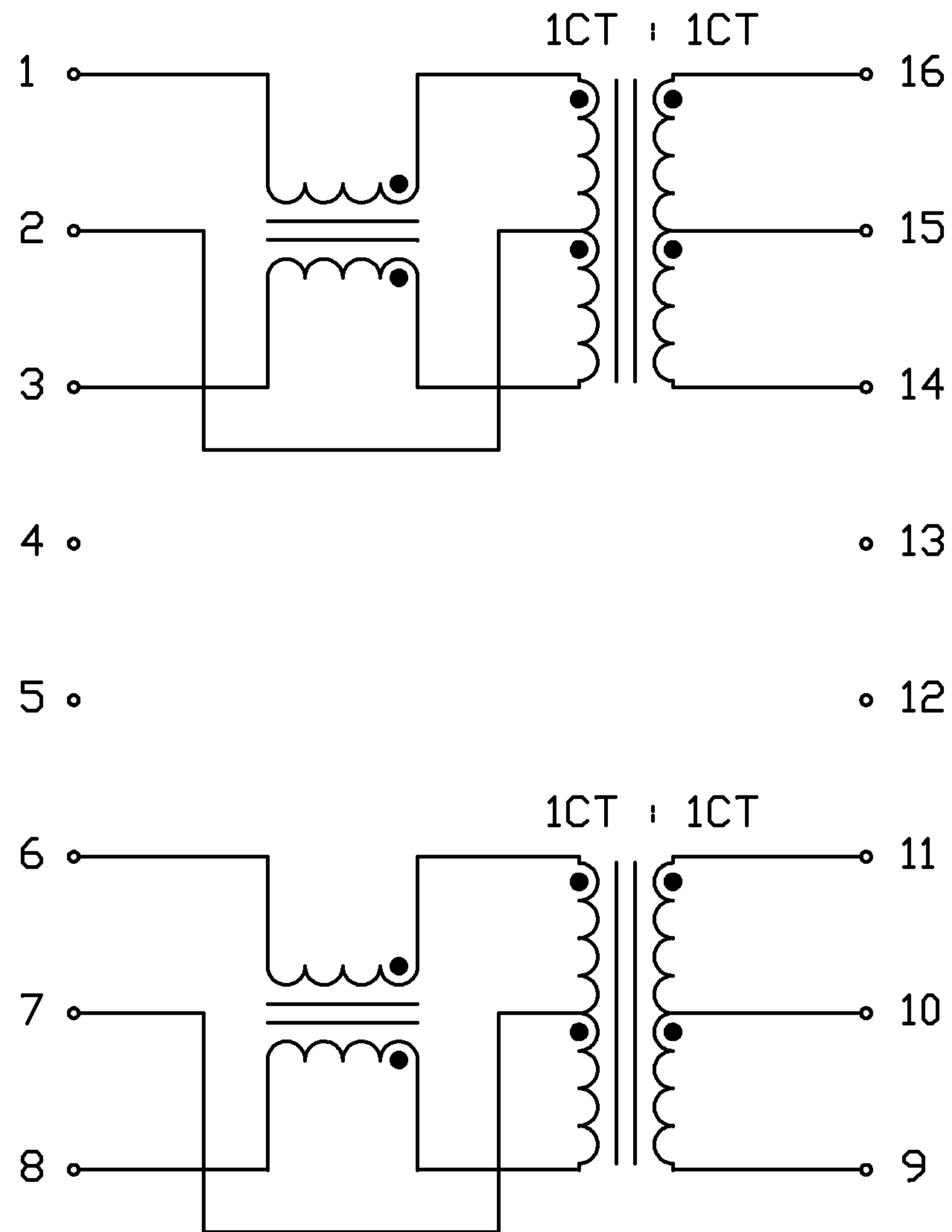


THE INFORMATION CONTAINED HEREIN IS CONSIDERED "PROPRIETARY" TO BEL FUSE INC. AND SHALL NOT BE COPIED, REPRODUCED OR DISCLOSED WITHOUT THE WRITTEN APPROVAL OF BEL FUSE INC.

ELECTRICAL CHARACTERISTICS @25°C



SCHEMATIC



URNS RATIO
Tx (1-2-3) : (16-15-14)
Rx (6-7-8) : (11-10-9)

1CT : 1CT
1CT : 1CT

PHASING

16 TO 1 ; 11 TO 6

OCL (-40°C TO +85°C)
TX (16&14)
RX (11&9)

350µH MIN.
@100kHz, 100mV
WITH 8mA DC BIAS

LEAKAGE INDUCTANCE, Le (0°C - 70°C)
TX (16-14) WITH 1-3 SHORTED
RX (11-9) WITH 6-8 SHORTED

0.35µH MAX.
@1MHz 20mV

INTERWINDING CAPACITANCE, Cw/w
TX (1-3 TO 16-14)
RX (6-8 TO 11-9)

30pF MAX.
@1MHz 20mV

DCR WINDING RESISTANCE
(1-3) = (6-8)
(16-14) = (11-9)

2.0Ω MAX.
1.0Ω MAX.

INSERTION LOSS
@100kHz TO 100MHz

1.0dB MAX.

RETURN LOSS (UNDER 100ΩHM ±15% ENVIRONMENT)
@100kHz TO 30MHz
@30 TO 60MHz
@60 TO 80MHz

18dB MIN.
18-20LOG(F/30MHz) MIN.
12dB MIN.

COMMON TO COMMON MODE ATTENUATION
@0.1 TO 100MHz

30dB MIN.

CROSSTALK
@1MHz
@30MHz
@60MHz
@100MHz

65dB MIN.
55dB MIN.
45dB MIN.
35dB MIN.

COMMON TO DIFFERENTIAL MODE ATTENUATION
@0.1 TO 100MHz

40dB MIN.

HIPOT

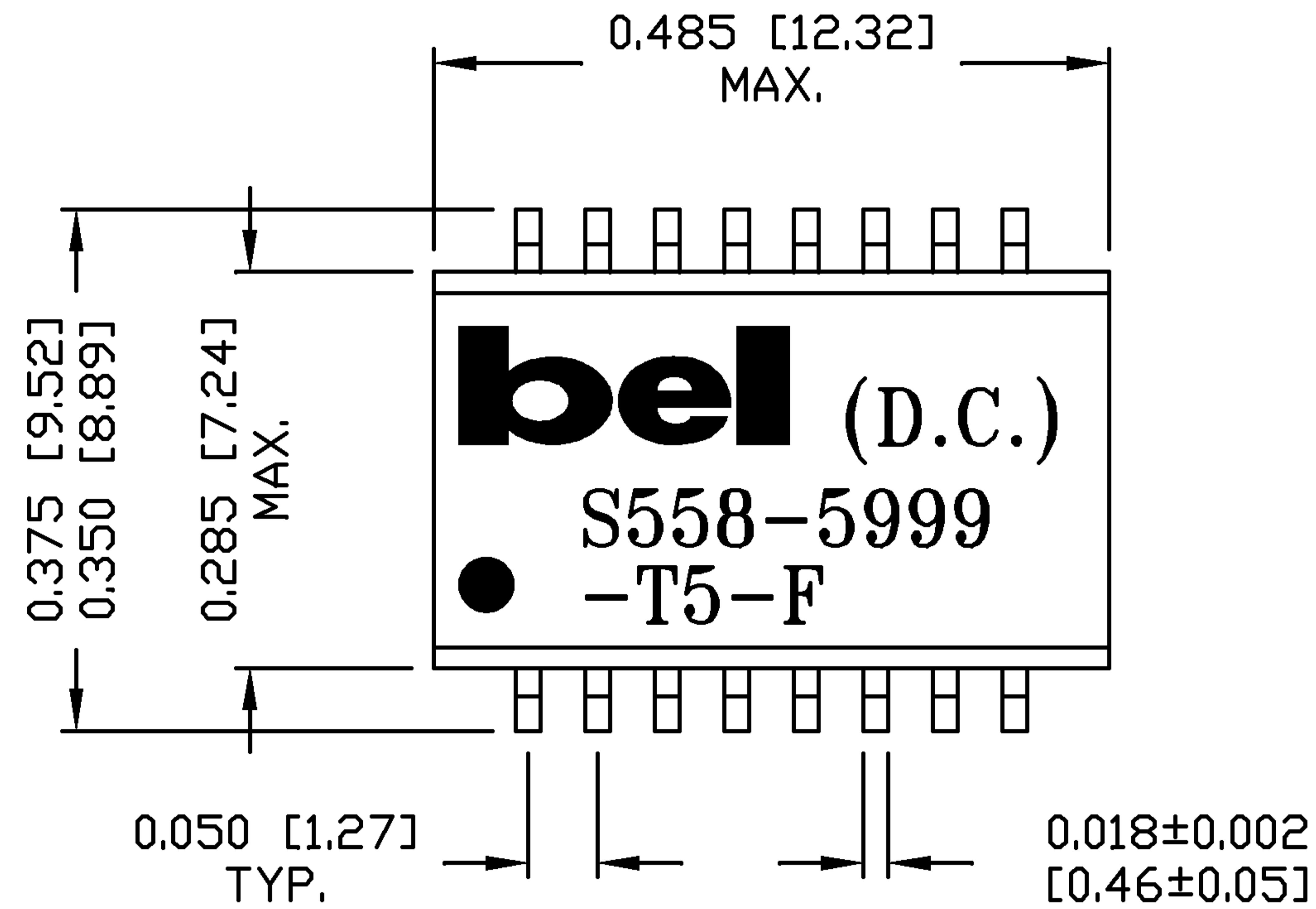
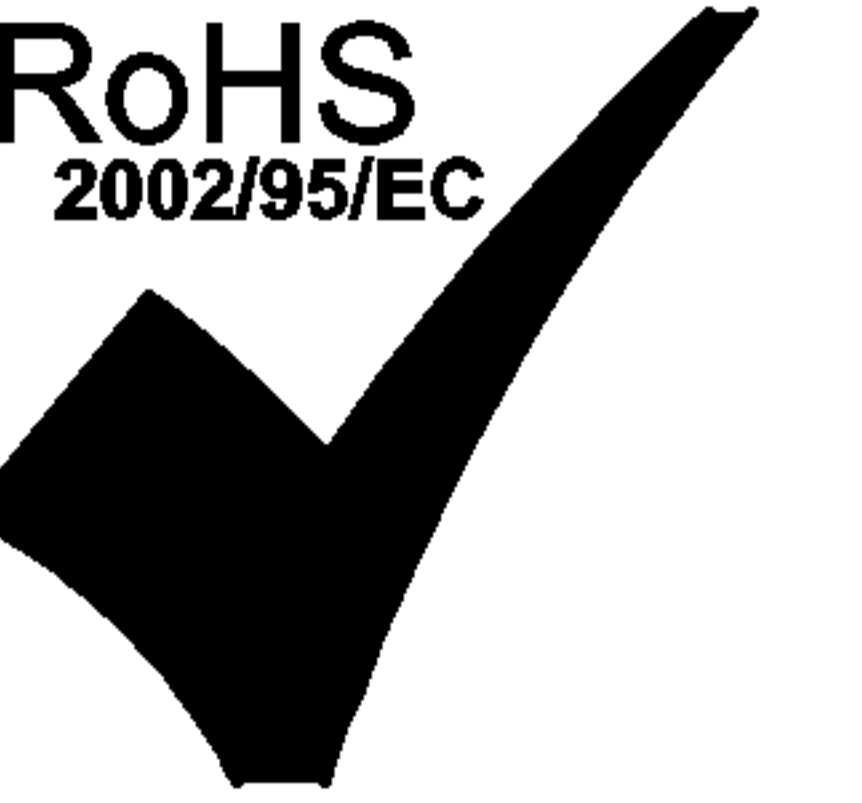
1500Vrms

ORIGINATED BY	DATE	TITLE	PART NO. / DRAWING NO.	STANDARD DIM. TOL. IN INCH	[] METRIC DIM. AS REFERENCE
CHAN CH	06-27-08	10/100BT MAGNETICS MODULE	X5585999T5-F	.X	UNIT : INCH [mm] REV. : B
DRAWN BY	DATE	S558-5999-T5-F	FILE NAME	.XX	SCALE : N/A SIZE : A4
YH Lal	06-27-08		X5585999T5FB.DWG	.XXX	PAGE : 2

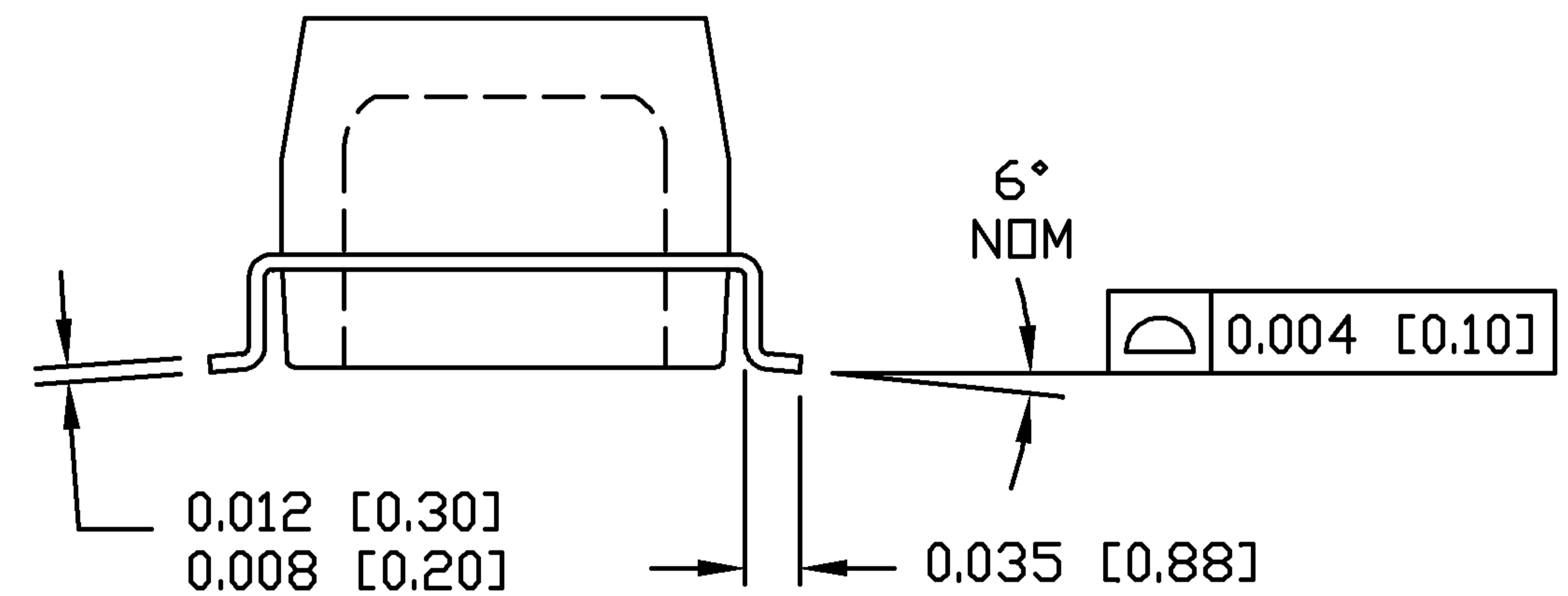
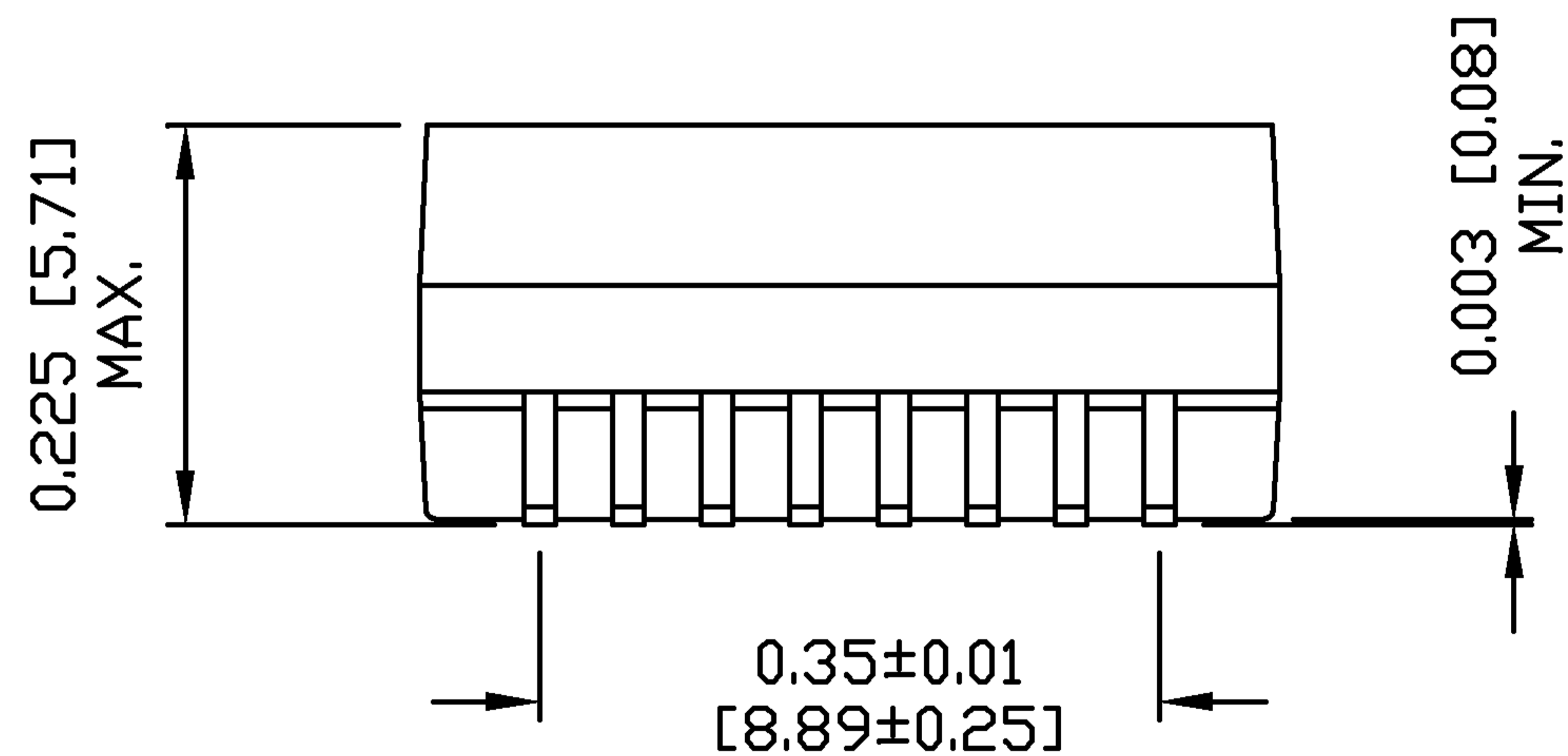
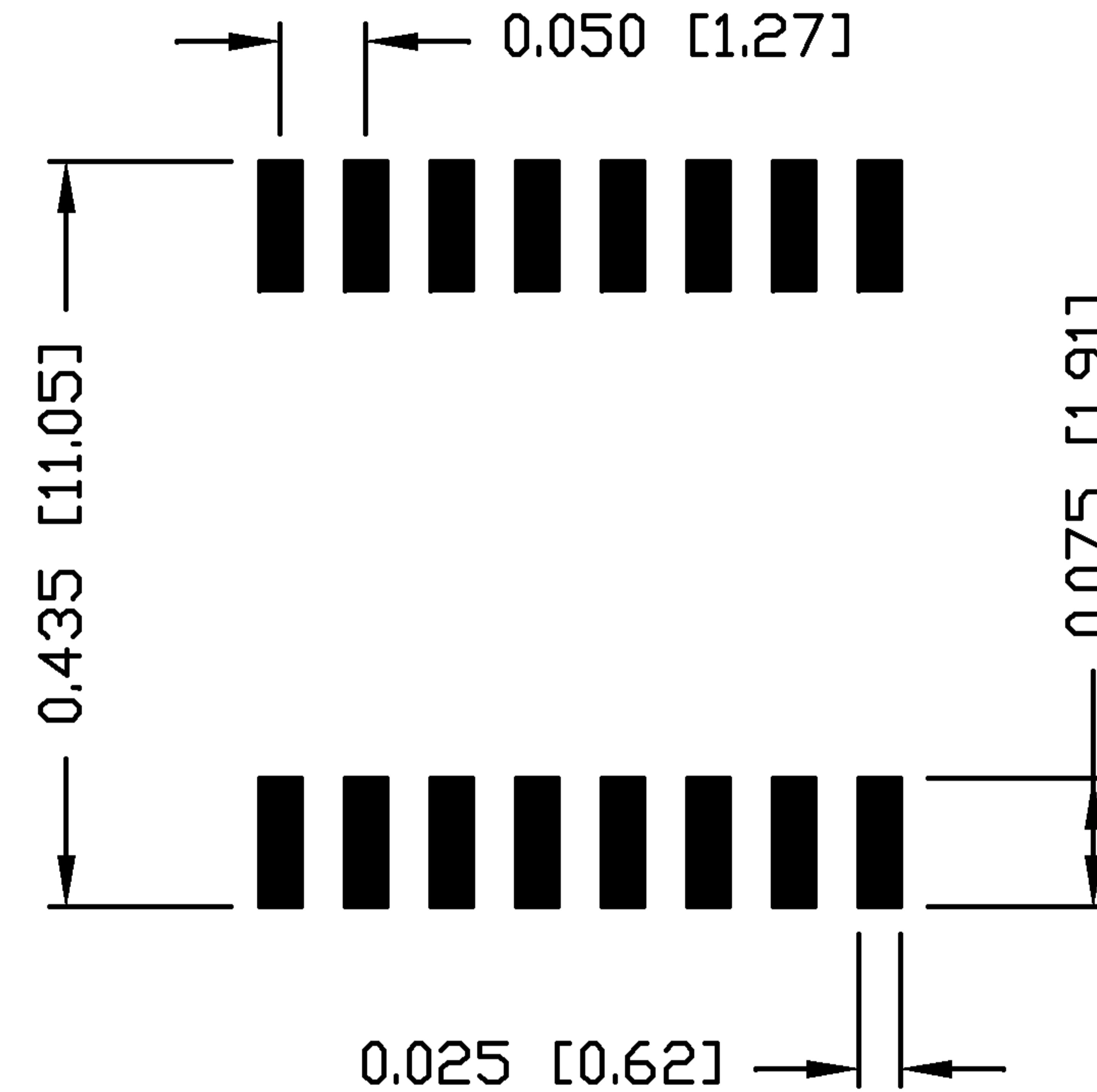


THE INFORMATION CONTAINED HEREIN IS CONSIDERED "PROPRIETARY" TO BEL FUSE INC. AND SHALL NOT BE COPIED, REPRODUCED OR DISCLOSED WITHOUT THE WRITTEN APPROVAL OF BEL FUSE INC.

RoHS
2002/95/EC



SUGGESTED PCB PAD LAYOUT



NOTES:

- STANDARD MARKING REFER TO DOC. HAND-WORK-04.
- PACKAGE CODE: "QBS001".

ORIGINATED BY LAWRENCE TSANG	DATE 06-27-08	TITLE MECHANICAL DRAWING	PART NO. / DRAWING NO. X5585999T5-F	STANDARD DIM. TOL. IN INCH .X	[] METRIC DIM. AS REFERENCE	<p>COMPONENTS FOR A CONNECTED PLANET</p>
DRAWN BY YH Lal	DATE 06-27-08	S558-5999-T5-F	FILE NAME X5585999T5FB.DWG	.XX ±0.01	UNIT : INCH [mm]	
				.XXX ±0.005	SCALE : N/A	
					REV. : B SIZE : A4 PAGE : 3	