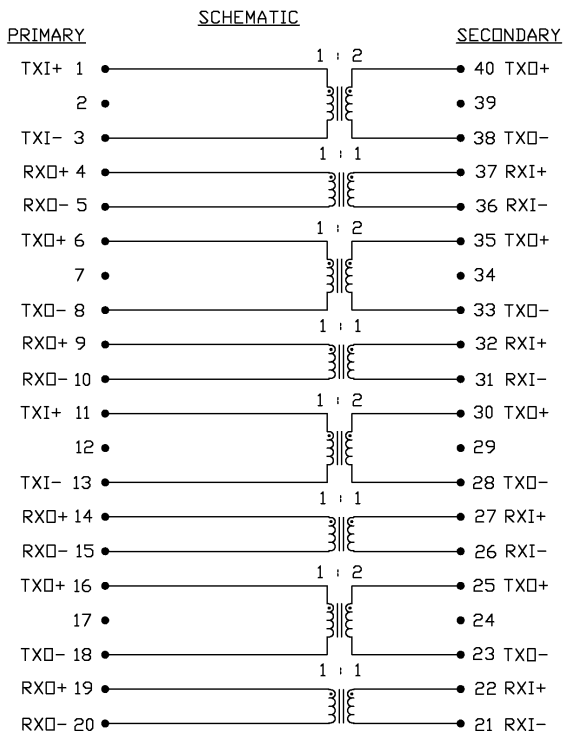


THE INFORMATION CONTAINED HEREIN IS CONSIDERED "PROPRIETARY" TO BEL FUSE INC. AND SHALL NOT BE COPIED, REPRODUCED OR DISCLOSED WITHOUT THE WRITTEN APPROVAL OF BEL FUSE INC.



ELECTRICAL CHARACTERISTICS @ 25°C

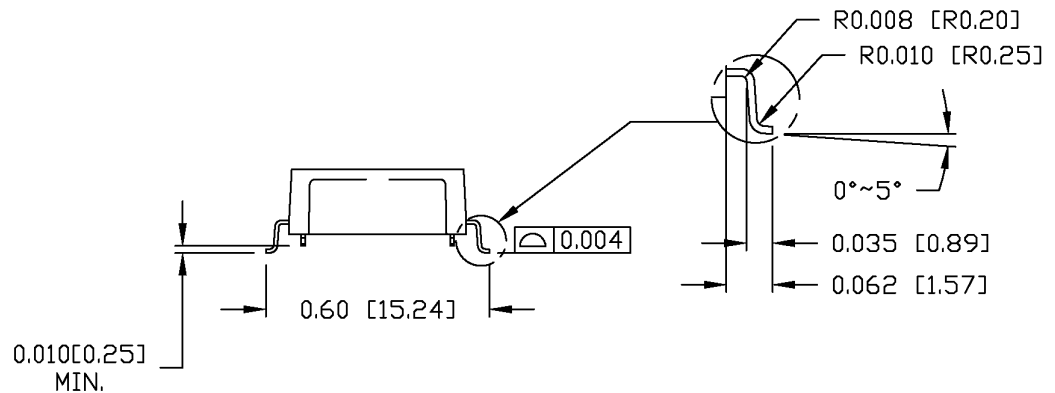
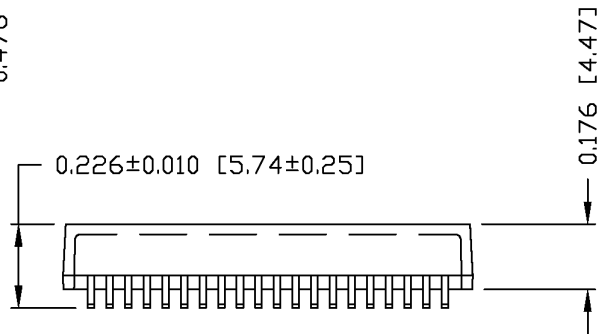
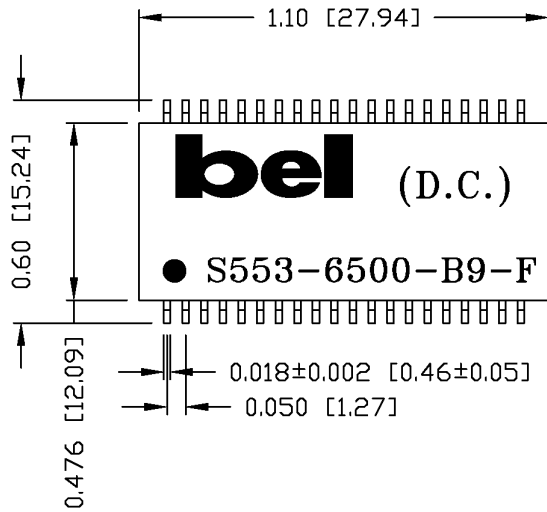
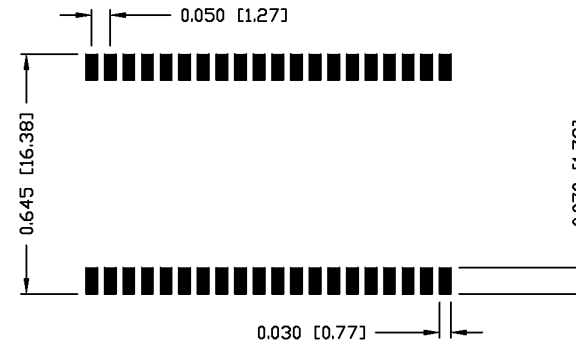
<u>TURNS RATIO</u>	
Tx PRIMARY : SECONDARY	1 : 2
Rx PRIMARY : SECONDARY	1 : 1
<u>INDUCTANCE</u>	
Tx PRIMARY	1.5 mH MIN. @10kHz, 10mV
AT -40°C	640 μH MIN.
Rx PRIMARY	1.8 mH MIN. @10kHz, 10mV
AT -40°C	850 μH MIN.
<u>LEAKAGE INDUCTANCE &lt;Le&gt;</u>	
Tx PRIMARY <WITH SECONDARY SIDE SHORTED>	0.30 μH MAX. @1MHz, 20mV
Rx PRIMARY <WITH SECONDARY SIDE SHORTED>	0.50 μH MAX. @1MHz, 20mV
<u>INTERWINDING CAPACITANCE &lt;Cw/W&gt;</u>	
Tx PRIMARY - SECONDARY	35pF MAX. @1MHz, 20mV
Rx PRIMARY - SECONDARY	35pF MAX. @1MHz, 20mV
<u>DC RESISTANCE</u>	
Tx PRIMARY	0.60 Ω MAX.
Tx SECONDARY	1.20 Ω MAX.
Rx PRIMARY & SECONDARY	0.60 Ω MAX.
HIPOT	PER. HAND-WORK-03

ORIGINATED BY	DATE	TITLE	PART NO. / DRAWING NO.	STANDARD DIM. TOL. IN INCH	[ ] METRIC DIM. AS REFERENCE
CHAN CH	06-13-07	ELECTRICAL SPECIFICATION S553-6500-B9-F	X5536500B9-F	.X	UNIT : INCH [mm] REV. : A
DRAWN BY	DATE		FILE NAME	.XX	SCALE : N/A SIZE : A4
DQ Chen	06-13-07		X5536500B9FA.DWG	.XXX	PAGE : 2

THE INFORMATION CONTAINED HEREIN IS CONSIDERED "PROPRIETARY" TO BEL FUSE INC. AND SHALL NOT BE COPIED, REPRODUCED OR DISCLOSED WITHOUT THE WRITTEN APPROVAL OF BEL FUSE INC.



SUGGESTED PCB PAD LAYOUT



NOTES:

- STANDARD MARKING REFER TO DOC. HAND-WORK-04.
- PACKAGE CODE: "RRS001".

ORIGINATED BY Lawrence Tsang	DATE 06-13-07	TITLE MECHANICAL DRAWING S553-6500-B9-F	PART NO. / DRAWING NO. X5536500B9-F	STANDARD DIM. TOL. IN INCH	[ ] METRIC DIM. AS REFERENCE	 COMPONENTS FOR A CONNECTED PLANET
DRAWN BY DQ Chen	DATE 06-13-07	FILE NAME X5536500B9FA.DWG	.X	UNIT : INCH [mm]	REV. : A	
			.XX ±0.01	SCALE : N/A	SIZE : A4	
			.XXX ±0.005		PAGE : 3	