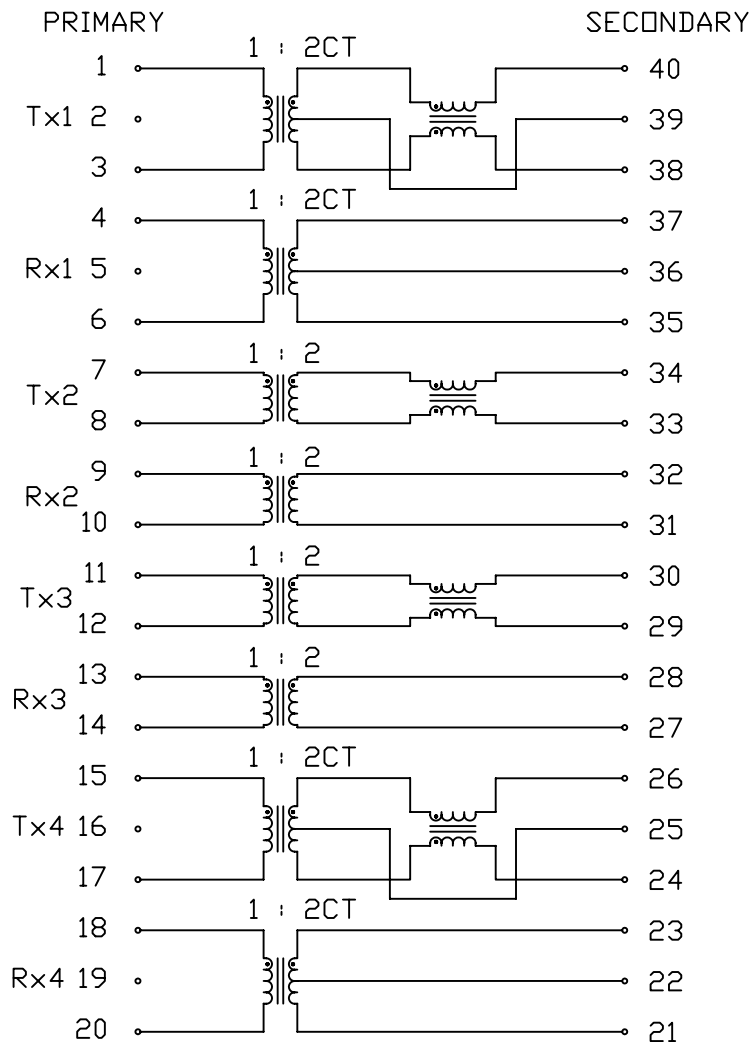


THE INFORMATION CONTAINED HEREIN IS CONSIDERED "PROPRIETARY" TO BEL FUSE INC. AND SHALL NOT BE COPIED, REPRODUCED OR DISCLOSED WITHOUT THE WRITTEN APPROVAL OF BEL FUSE INC.

RoHS  
2002/95/EC



SCHEMATIC



ELECTRICAL SPECIFICATIONS @25°C

<p>PRIMARY : SECONDARY</p> <p>POLARITY</p> <p>INDUCTANCE</p> <p>PRIMARY <math>\square</math>CL</p> <p>AT -40°C TO +85°C</p> <p>LEAKAGE INDUCTANCE, <math>L_e</math></p> <p>PRIMARY (SECONDARY SHORTED)</p> <p>INTERWINDING CAPACITANCE, <math>C_w/w</math></p> <p>PRIMARY TO SECONDARY</p> <p>DC RESISTANCE</p> <p>PRIMARY</p> <p>Rx SECONDARY</p> <p>Tx SECONDARY</p> <p>HIPOT</p>	<p>1 : 2 &amp; 1 : 2CT</p> <p>PER DOT CONVENTION</p> <p>@10kHz, 20mV</p> <p>1.5mH MIN</p> <p>640<math>\mu</math>H MIN</p> <p>@1MHz, 20mV</p> <p>0.3<math>\mu</math>H MAX</p> <p>@1MHz, 20mV</p> <p>35pF MAX</p> <p>0.7<math>\square</math>hm MAX</p> <p>1.3<math>\square</math>hm MAX</p> <p>2.0<math>\square</math>hm MAX</p> <p>PER HAND-WORK-03</p>
---	--

ORIGINATED BY	DATE	TITLE	PART NO. / DRAWING NO.	STANDARD DIM.	[ ] METRIC DIM. AS REFERENCE
CHAN CH	06-18-09	ELECTRICAL SPECIFICATION	X5536500F6-F	TOL. IN INCH	UNIT : INCH [mm] REV. : A
DRAWN BY	DATE	S553-6500-F6-F	FILE NAME	.X	SCALE : N/A SIZE : A4
YH Lai	06-18-09		X5536500F6FA.DWG	.XX	PAGE : 2
				.XXX	

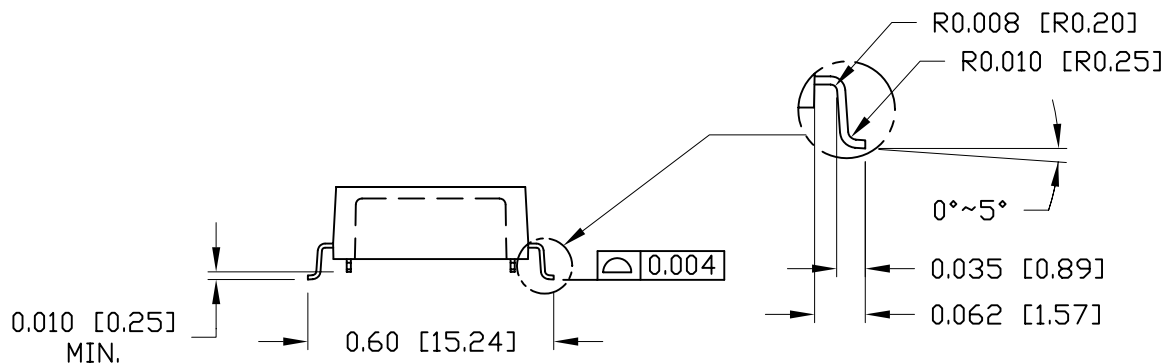
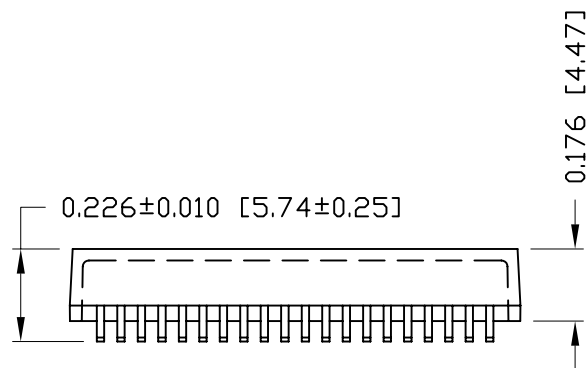
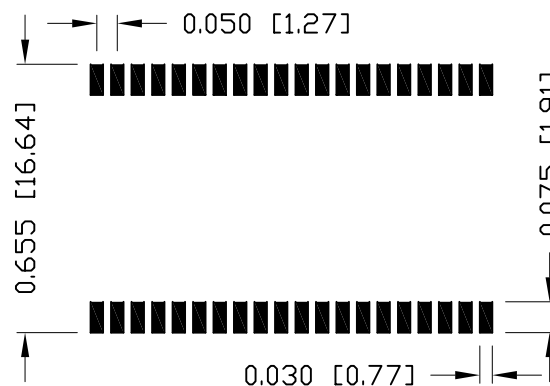
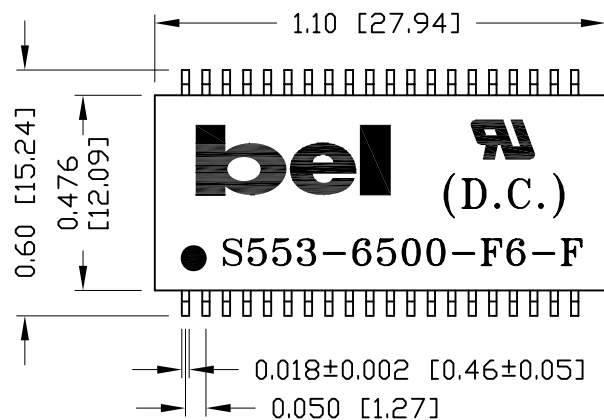


THE INFORMATION CONTAINED HEREIN IS CONSIDERED "PROPRIETARY" TO BEL FUSE INC. AND SHALL NOT BE COPIED, REPRODUCED OR DISCLOSED WITHOUT THE WRITTEN APPROVAL OF BEL FUSE INC.

RoHS  
2002/95/EC



SUGGESTED PCB PAD LAYOUT



NOTES:

1. STANDARD MARKING REFER TO DOC. HAND-WORK-04.
2. PACKAGE CODE: "RRS001A".

ORIGINATED BY	DATE	TITLE	PART NO. / DRAWING NO.	STANDARD DIM.	[ ] METRIC DIM. AS REFERENCE
LAWRENCE TSANG	06-18-09	MECHANICAL OUTLINE S553-6500-F6-F	X5536500F6-F	TOL. IN INCH	UNIT : INCH [mm]
DRAWN BY	DATE		FILE NAME	.X	SCALE : N/A
YH Lai	06-18-09		X5536500F6FA.DWG	.XX ±0.01	SIZE : A4
				.XXX ±0.005	PAGE : 3

