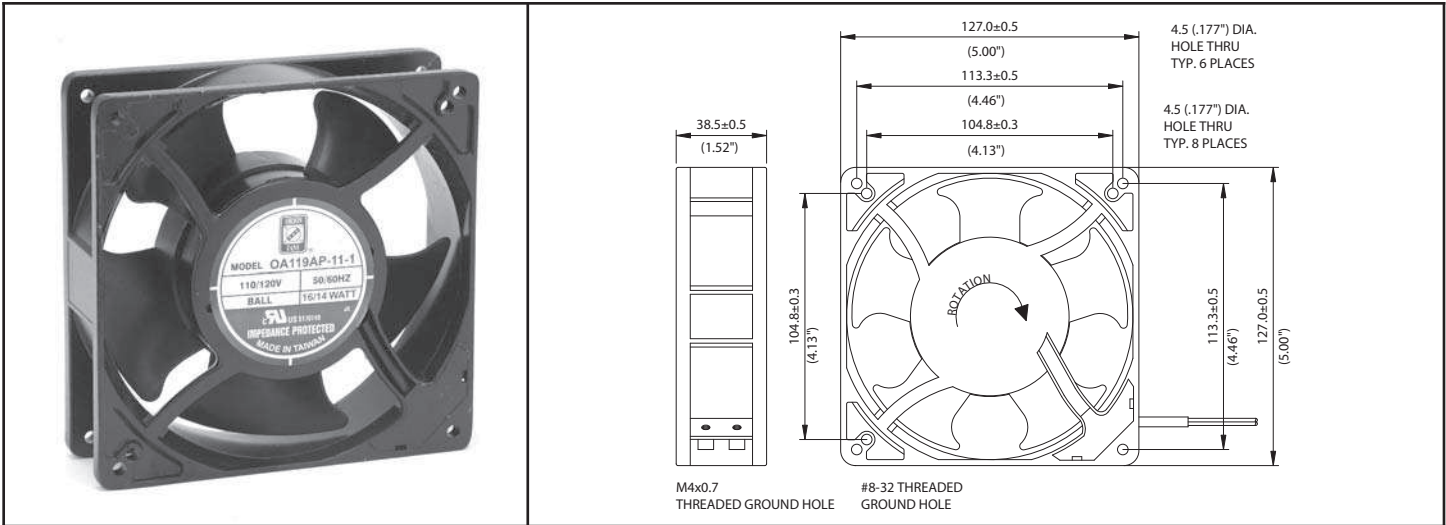


# OA119 Series



AC Fan - 115V, 230V  
127 x 38mm (5.0" x 1.5")



<b>Frame</b>	Diecast Aluminum	<b>Operating Temperature</b> Ball Bearing -20C ~ +80C Sleeve Bearing -10C ~ +50C  <b>Life Expectancy</b> Ball Bearing 60,000 hours (L10 at 40C) Sleeve Bearing 30,000 hours (L10 at 40C)  <b>Dual Voltage</b> Connection via 4x leads. Fans can be configured for 115V or 230V operation.	
<b>Impeller</b>	PBT, UL94V-O plastic		
<b>Connection</b>	2x Lead Wires 22 AWG or terminals		
<b>Motor</b>	Shaded pole, impedance protected Tachometer available (5VTTL), input 5 ~24V		
<b>Bearing System</b>	Dual ball or Sleeve		
<b>Insulation Resistance</b>	>100M ohm between lead-wire and frame (500VDC)		
<b>Dielectric Strength</b>	1 min at 1500 VAC, 50/60Hz		

Model Number	Speed (RPM)	Airflow (CFM)	Noise (dB)	Volts AC	Voltage Range	Watts	Max. Static Pressure (\"H2O)
OA119AP-11-1*	3000	130	46	115	80~130	14	.24
OA119AP-11-2*	2300	95	37	115	80~130	10	.15
OA119AP-11-3*	1400	74	28	115	80~130	7	.10
OA119AP-22-1*	3000	130	46	230	160~260	14	.24
OA119AP-22-2*	2300	95	37	230	160~260	10	.15
OA119AP-22-3*	1400	74	28	230	160~260	7	.10

\* Indicate "TB" (Terminal Ball Bearing), "WB" (12" Wire Leads, Ball Bearing), "TS" (Terminal, Sleeve Bearing), "WS" (12" Wire Leads, Sleeve Bearing)