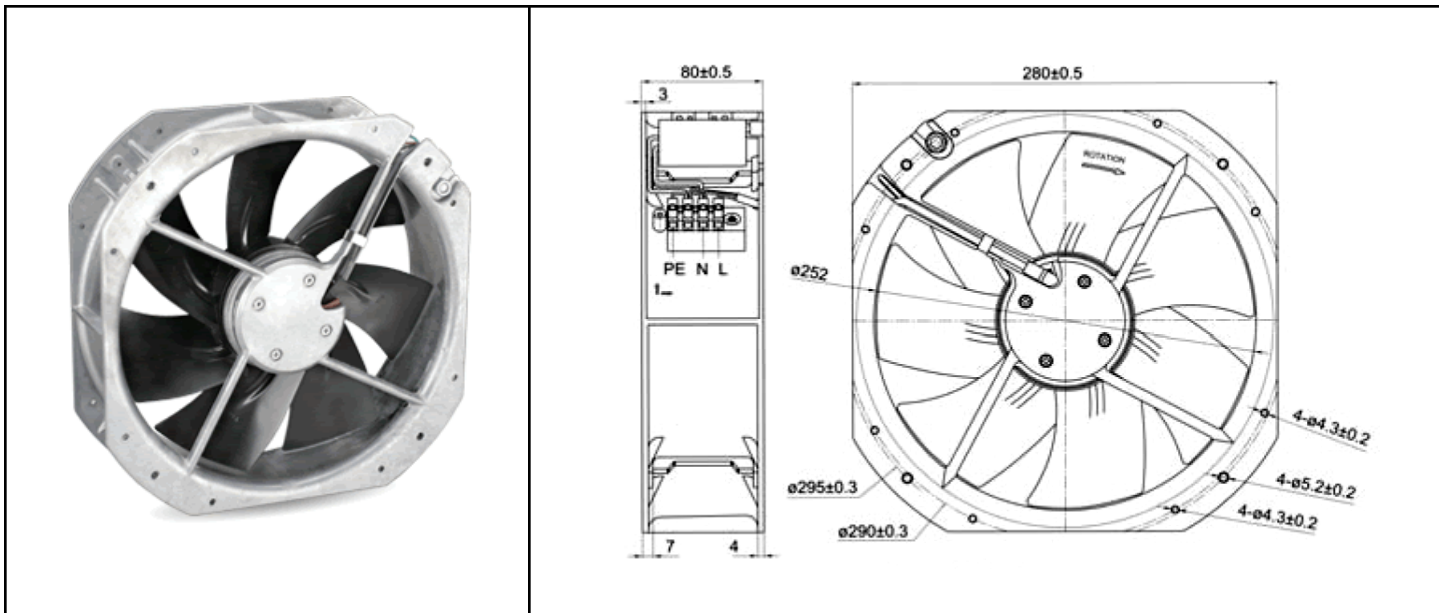


OA280 Series



280 x 80mm
(11.0" x 3.15")



Frame	Diecast Aluminum	<u>Operating Temperature</u> Ball Bearing -40C ~ +60C <u>Life Expectancy</u> Ball Bearing 40,000 hours (L10 at 40C) <u>Approvals</u> UL/cUL: E170149 TUV: R50133561 CE	
Impeller	Metal		
Connection	Terminal Block, 18AWG		
Motor	Capacitor drive, impedance and thermally protected		
Bearing System	Dual ball		
Insulation	Class F		
Dielectric Strength	1 min at 1500 VAC, 50/60Hz		

Model Number	OA280AN-11-1TB18	OA280AN-22-1TB18
Part Number	280315182	280615182
Nominal Voltage	115VAC	230VAC
Voltage Range	100 ~ 125VAC	200 ~ 240VAC
Rated Power	148 W	158 W
Nominal Current	1.5 A	0.82 A
Rated Speed (RPM)	2700	2700
Airflow (CFM)	1130	1130
Noise Level (dB)	70	70
Max. Static Pressure	0.78" H ₂ O	0.78" H ₂ O