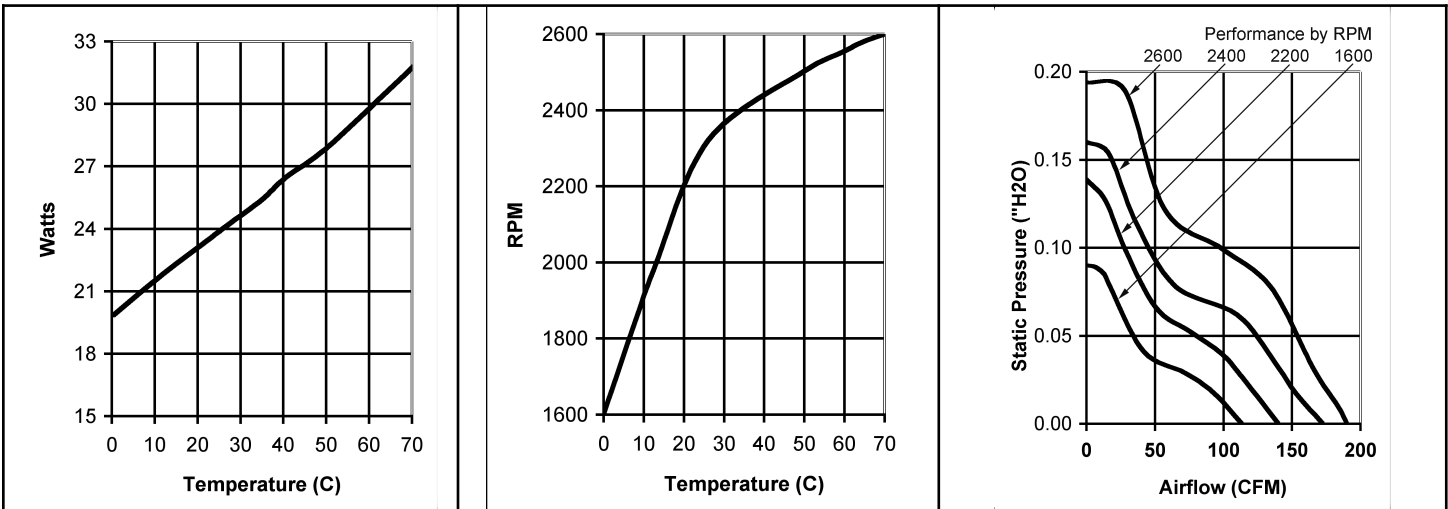
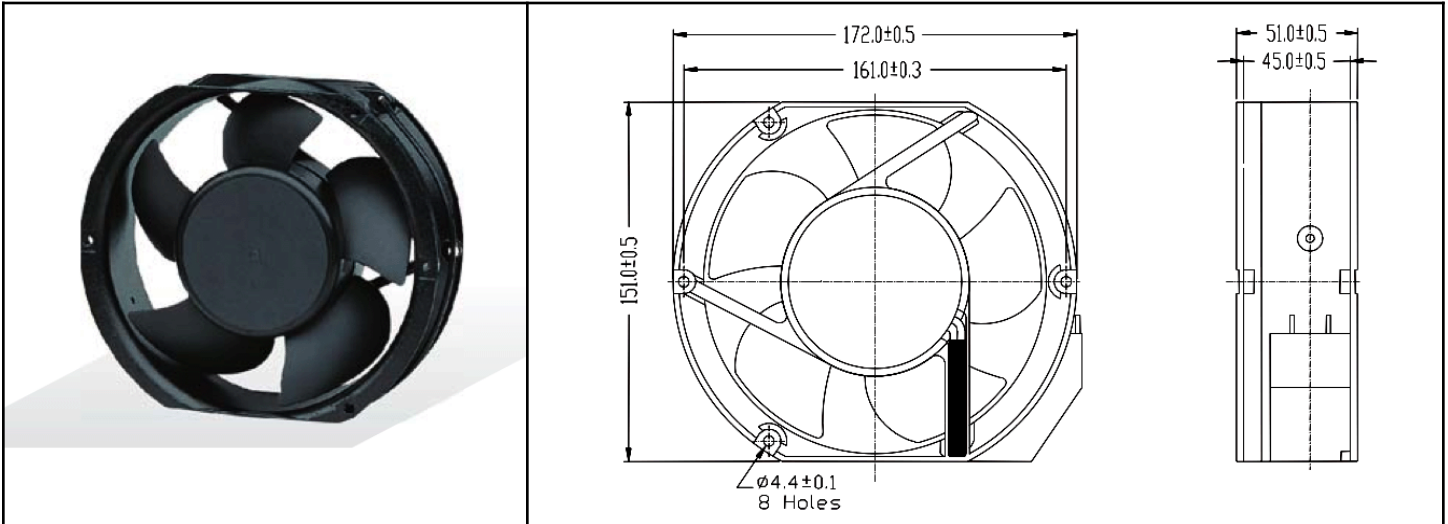


Temperature Control Series



AC SMART FAN 172x150x51mm (6.7"x 5.9"x 2.0")



Part Number	OA172SAP-11-1WB03
Frame	Aluminum Alloy
Impeller	PBT, UL94V-O plastic
Connection	Lead Wires UL1015 18AWG
Motor	AC shaded pole, impedance overload protected
Bearing System	Dual ball
Insulation Resistance	>100M ohm between leadwire and frame (500VDC)
Dielectric Strength	1 min at 1500 VAC, 50/60Hz
Nominal Voltage	115 VAC (60Hz)
Nominal Current (0C ~ 70C)	0.32 ~ 0.45 A
Rated Power (0C ~ 70C)	20 ~ 32 W
Rated Speed (RPM) (0C ~ 70C)	1600 ~ 2600
Airflow (CFM)	113 ~ 190
Noise Level (dB)	38 ~ 51
Operating Temperature	-10C ~ +70C
Life Expectancy	60,000 hours L10 @ 40C

