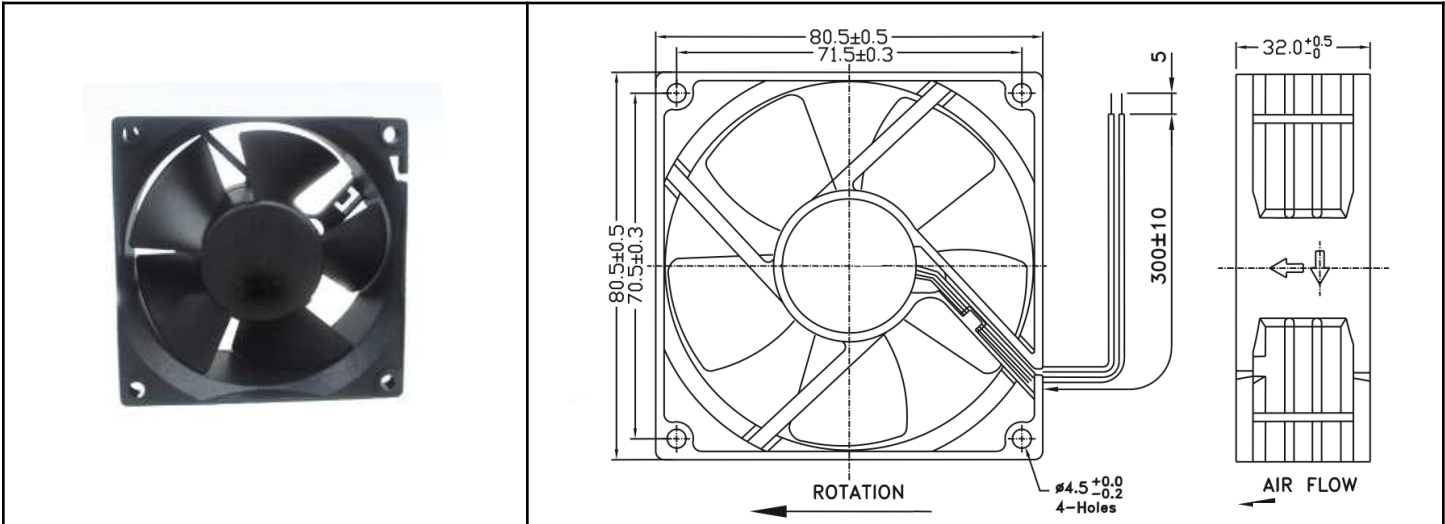


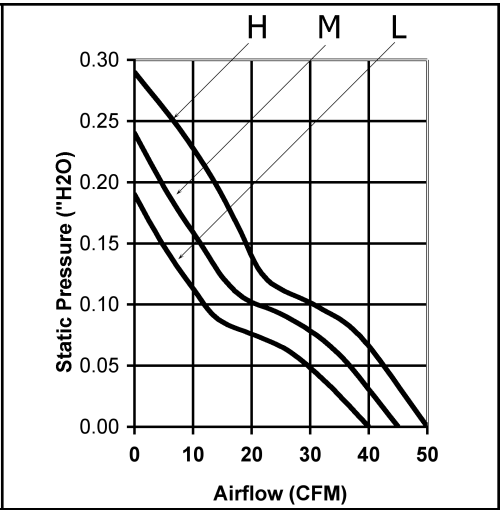
OD8032 Series



DC Fan - 12, 24, 48V
80x32mm (3.15"x 1.25")



Frame & Impeller	PBT, UL94V-O plastic	Available Options: Tachometer (FG) Alarm (RD) Thermal Speed Control (Thermistor) PWM Input (Manual Speed Control) Life Expectancy (L10) Ball Bearing 70,000 hours (L10 at 40C) Sleeve Bearing 35,000 hours (L10 at 40C) Operating Temperature Ball Bearing -20C ~ +70C Sleeve Bearing -10C ~ +50C
Connection	2x Lead wires, UL1007, 24AWG	
Motor	Brushless DC, auto restart, polarity protected	
Bearing System	Dual Ball or Sleeve	
Insulation Resistance	10M ohm between leadwire and frame (500VDC)	
Dielectric Strength	1 second at 500 VAC, max leakage - 500 MicroAmp	
Storage Temperature	-30C ~ +90C	



Model Number	Speed (RPM)	Airflow (CFM)	Noise (dB)	Volts DC	Voltage Range	Nominal Amps	Max. Static Pressure ("H2O)
OD8032-12H*	3800	50	42	12	10.8~13.2	0.19	0.29
OD8032-12M*	3400	45	37	12	10.8~13.2	0.16	0.24
OD8032-12L*	3000	40	35	12	10.8~13.2	0.11	0.19
OD8032-24H*	3800	50	42	24	21.6~26.4	0.12	0.29
OD8032-24M*	3400	45	37	24	21.6~26.4	0.10	0.24
OD8032-24L*	3000	40	35	24	21.6~26.4	0.07	0.19
OD8032-48H*	3800	50	42	48	24~56	0.08	0.29
OD8032-48M*	3400	45	37	48	24~56	0.07	0.24
OD8032-48L*	3000	40	35	48	24~56	0.06	0.19

* Indicate "B" to specify Ball bearing or "S" to specify Sleeve bearing