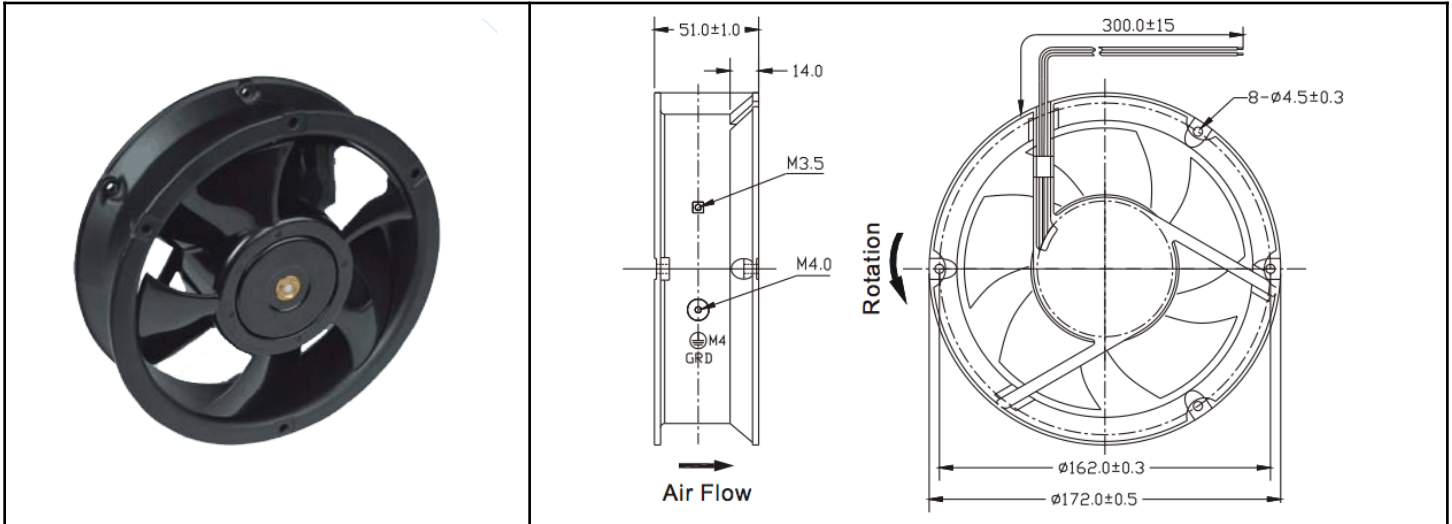


OD172AP Series



DC Fan
172x51mm (6.7"x 2.0")



Frame	Diecast Aluminum	Available Options IP55 rated Tachometer Alarm PWM Life Expectancy (L10) Ball - 40,000 hrs (60C) Operating Temperature Ball: -10C ~ 70C m4	
Impeller	PBT, UL94V-2 plastic		
Connection	2x Lead wires, 24AWG		
Motor	Brushless DC, auto restart, polarity protected		
Bearing System	Dual ball bearing		
Insulation Resistance	10M ohm between leadwire and frame (500VDC)		
Dielectric Strength	1 second at 500 VAC, max leakage - 500 MicroAmp		
Storage Temperature	-40C ~ +80C		

Model Number	Speed (RPM)	Airflow (CFM)	Noise (dB)	Volts DC	Voltage Range	Amps	Max. Static Pressure ("H2O)
OD172AP-12HB	3800	268	59	12	9~14	3.5	1.19
OD172AP-12MB	3400	235	56	12	9~14	2.4	0.96
OD172AP-12LB	3100	211	54	12	9~14	1.7	0.78
OD172AP-24HHB	4500	317	63	12	15~28	2.3	1.66
OD172AP-24HB	4000	285	61	12	15~28	1.8	1.37
OD172AP-24MB	3800	268	59	24	15~28	1.4	1.19
OD172AP-24LB	3400	235	56	24	15~28	0.95	0.96
OD172AP-24LLB	3100	211	54	24	15~28	0.70	0.78
OD172AP-48HHB	4500	317	63	24	24~55	1.2	1.66
OD172AP-48HB	4000	285	61	24	24~55	0.75	1.37
OD172AP-48MB	3800	268	59	48	24~55	0.60	1.19
OD172AP-48LB	3400	235	56	48	24~55	0.50	0.96
OD172AP-48LLB	3100	211	54	48	24~55	0.40	0.78